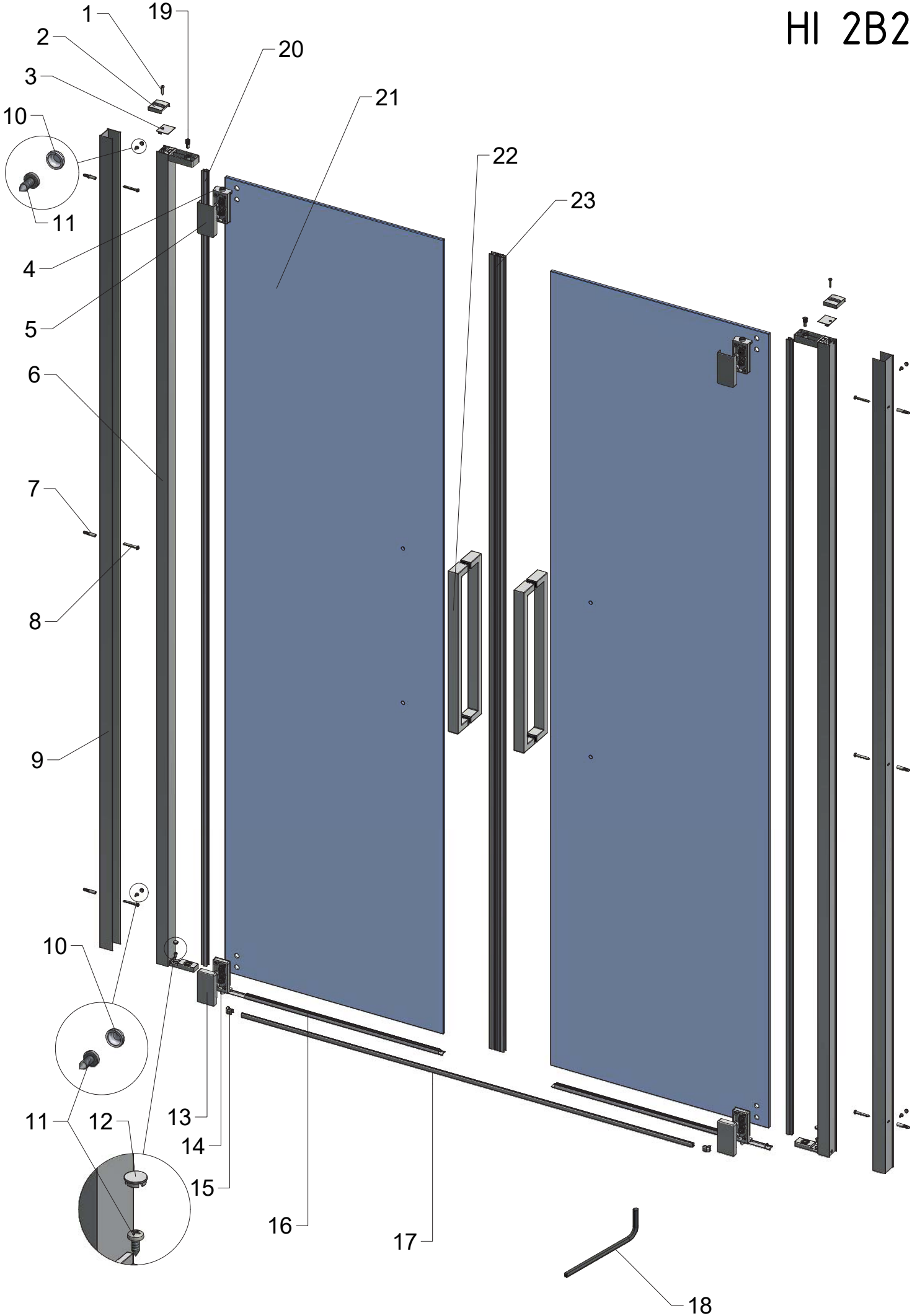

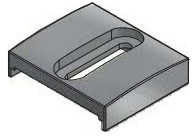
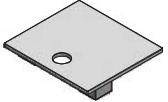
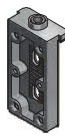

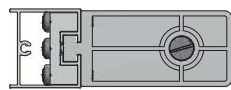


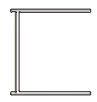




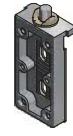
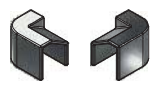







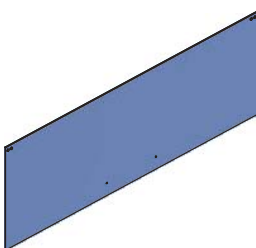



**Montageanleitung
Assembling Instruction
Montážní návod**



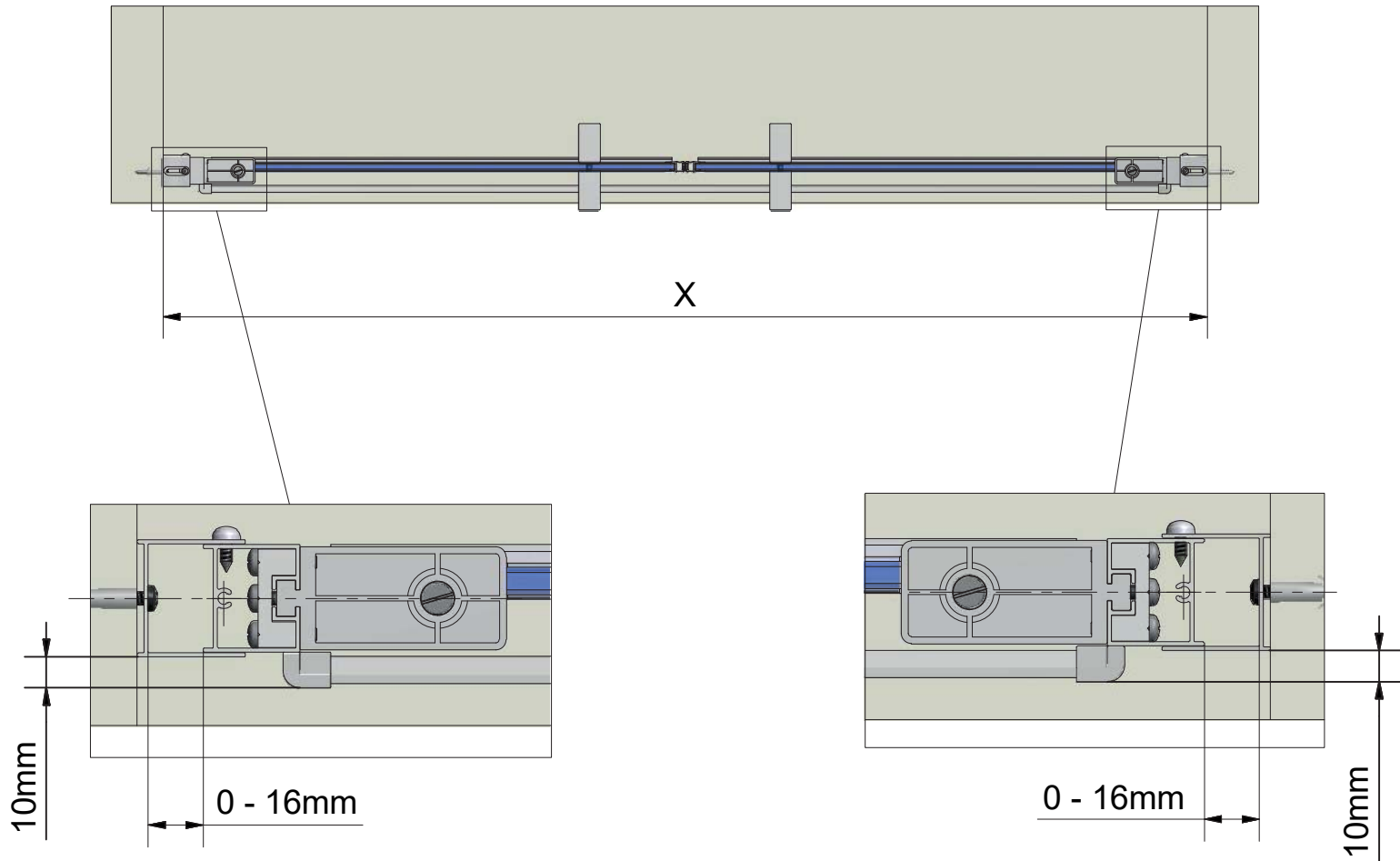
Shower for life



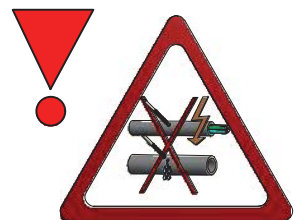
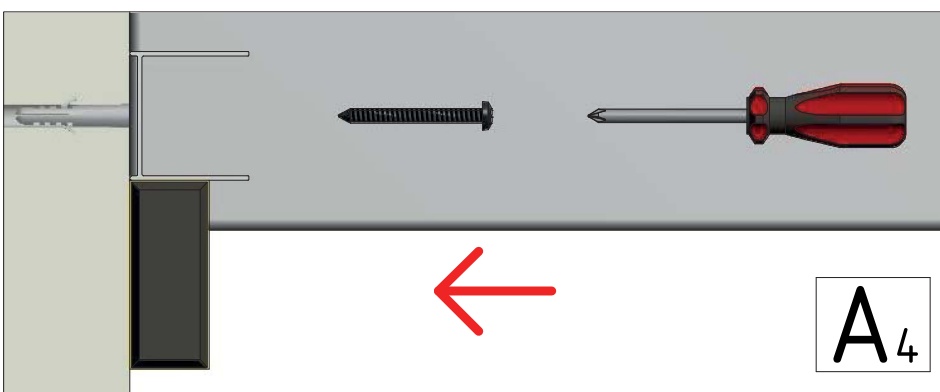
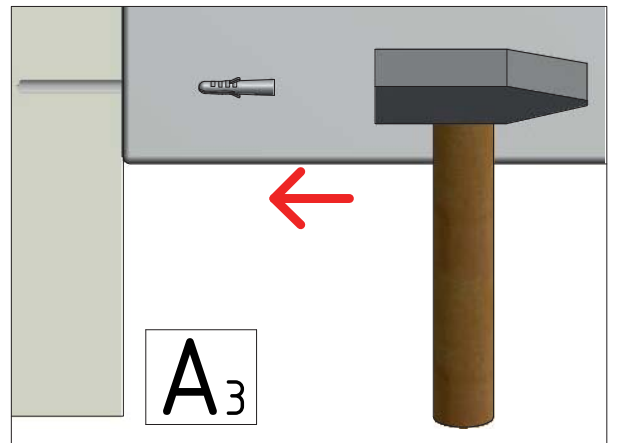
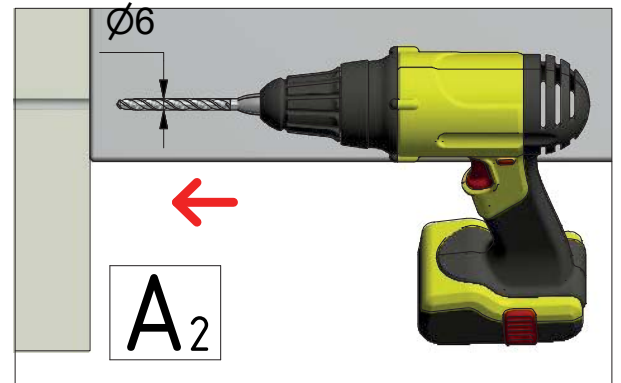
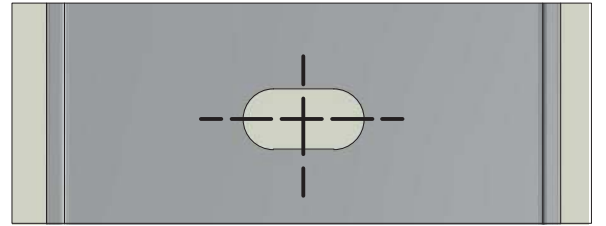
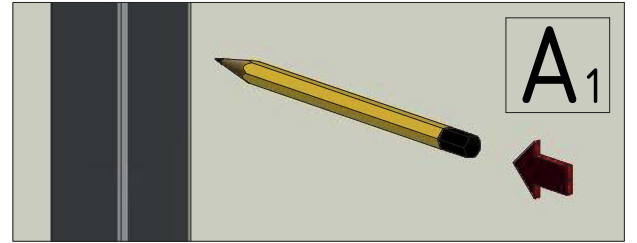
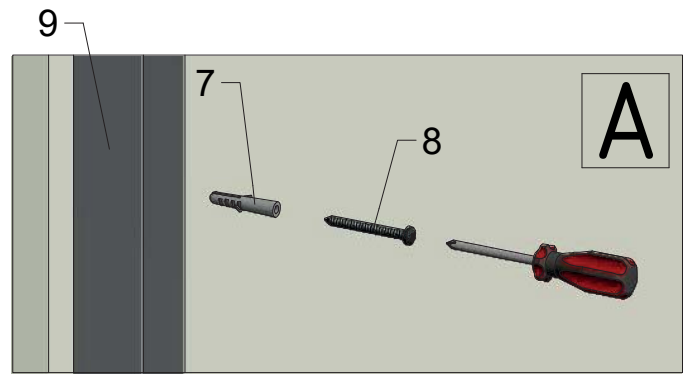
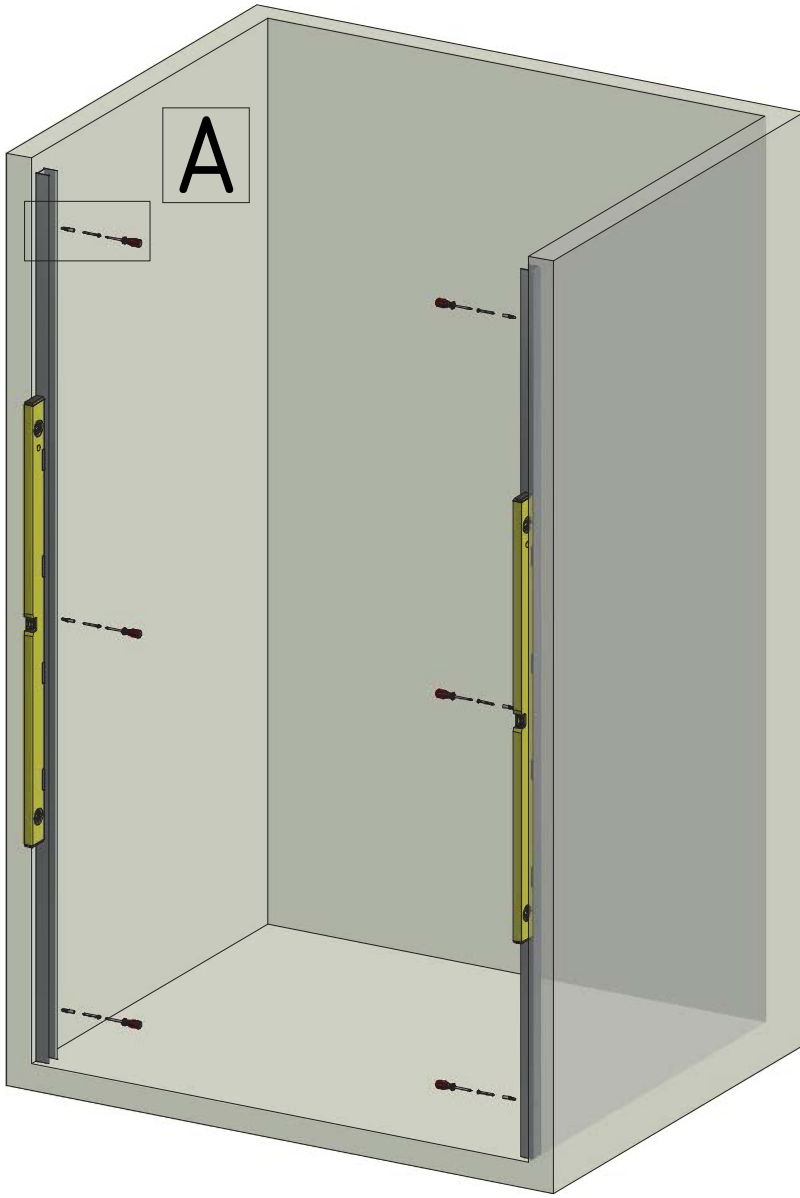
HI 2B2			
POS.	PREVIEW	DESCR.	PCS
1		ST3,5 x 20	2
2		Profile cap	2
3		Profile cap	2
4		Hinge	2
5		Hinge cover	2
6		Frame profile	2
7		DOWEL 6	6
8		ST 3,9 x 35	6
9		Wall profile	2
10		Plastic part	4
11		ST3,5 x 9,5	6
12		Plastic part	2
13		Hinge cover	2
14		Hinge	2
15		End of the threshold profile	1+1 SET
16		Seal	2
17		Threshold profil	1

HI 2B2			
POS.	PREVIEW	DESCR.	PCS
18		IMBUS 2,5	1
19		Fixing screw	2
20		Seal	1
21		Glass Panel	2
22		Handle	2
23		Magnet	1+1 SET
24		Spec. tool	1

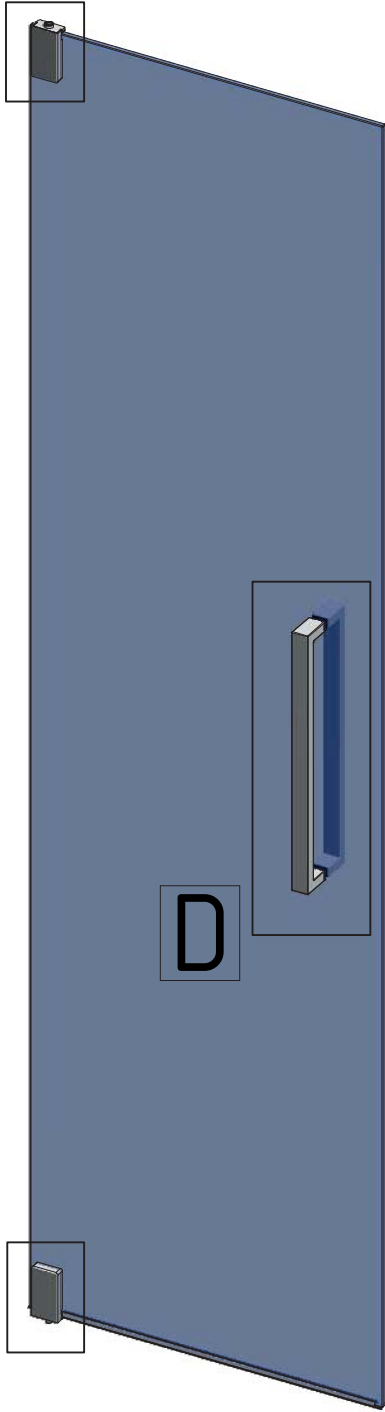
HI 2B2



TYPE	X (mm)
HI 2B2 800x2000	783 - 815
HI 2B2 900x2000	883 - 915
HI 2B2 1000x2000	983 - 1015
HI 2B2 1200x2000	1183 - 1215



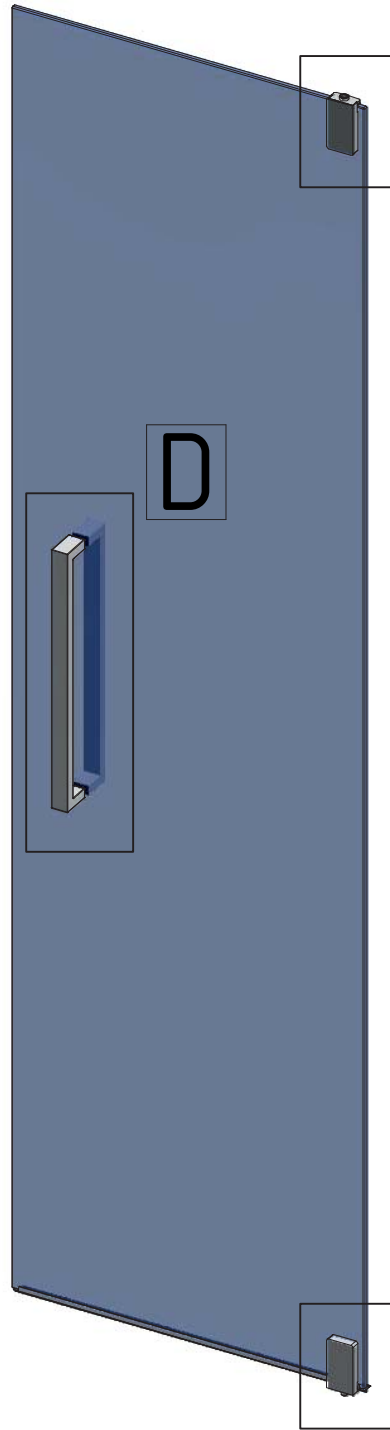
B



C

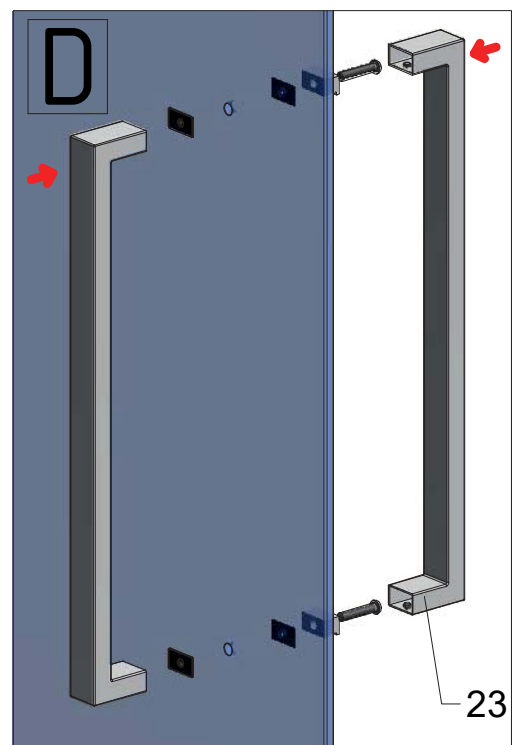
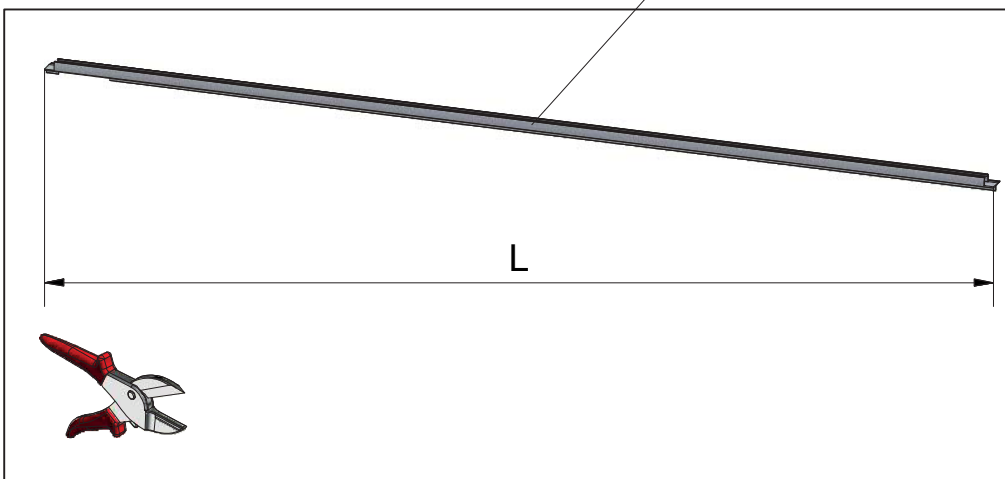
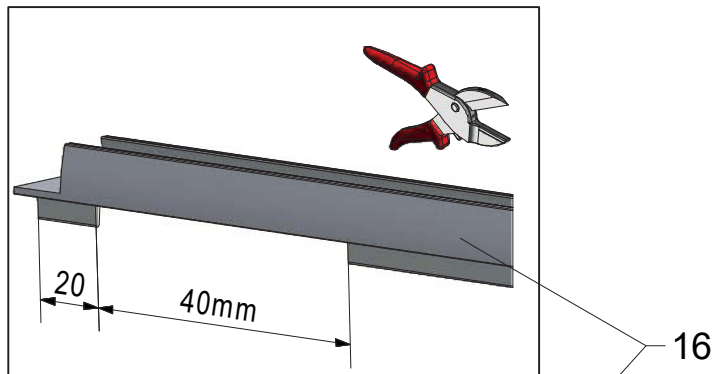
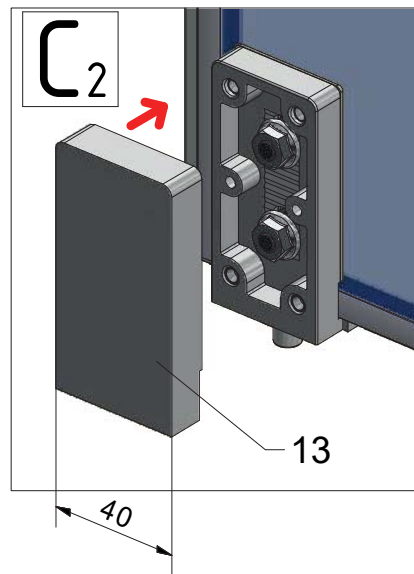
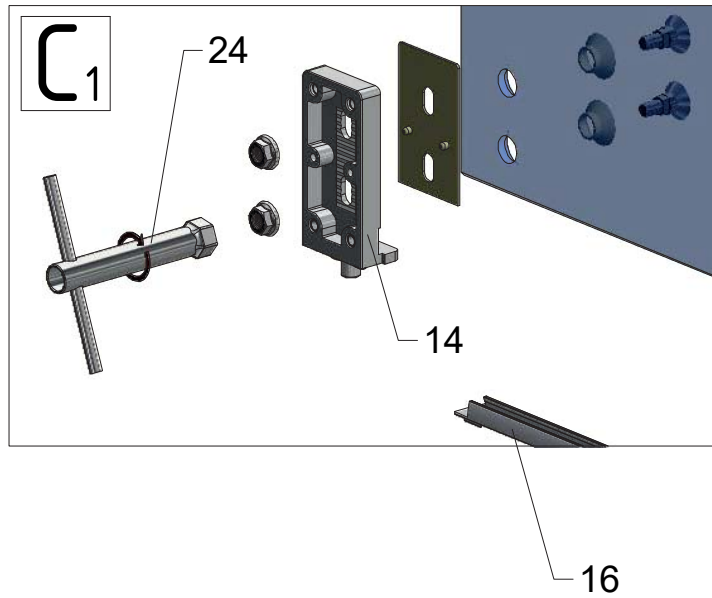
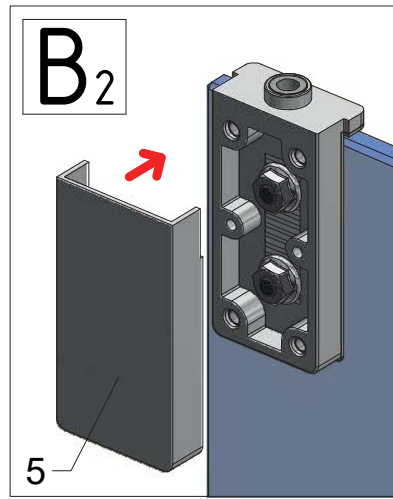
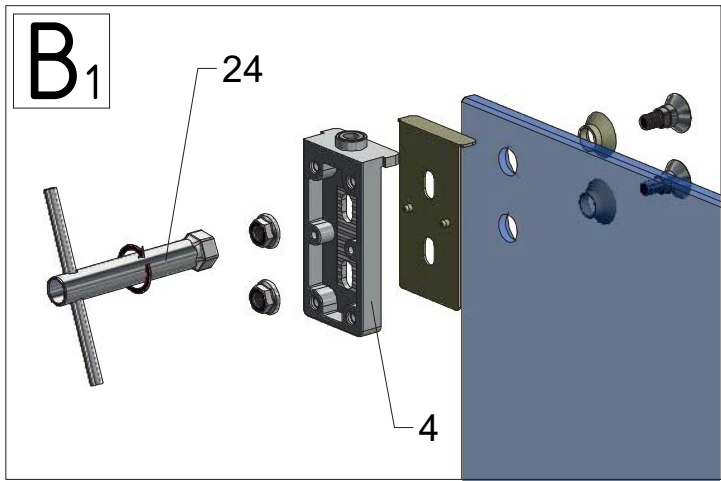
MIRROR

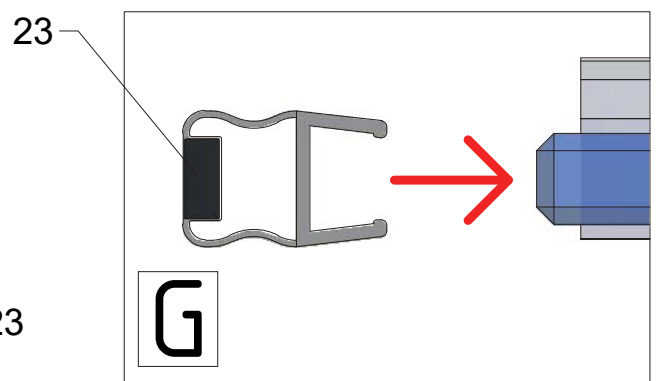
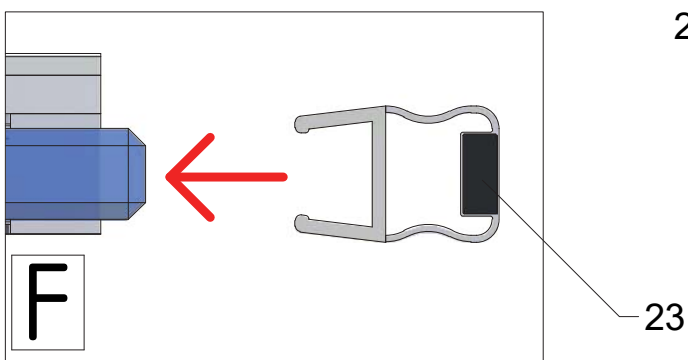
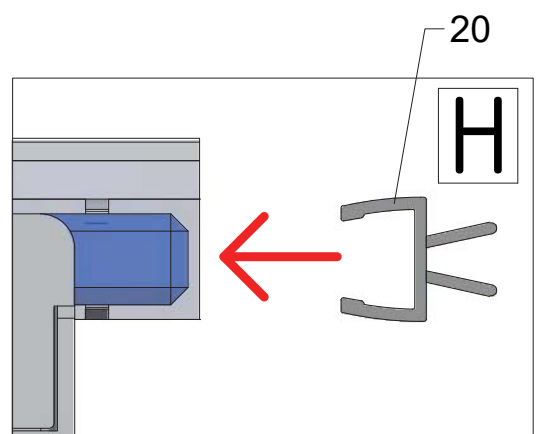
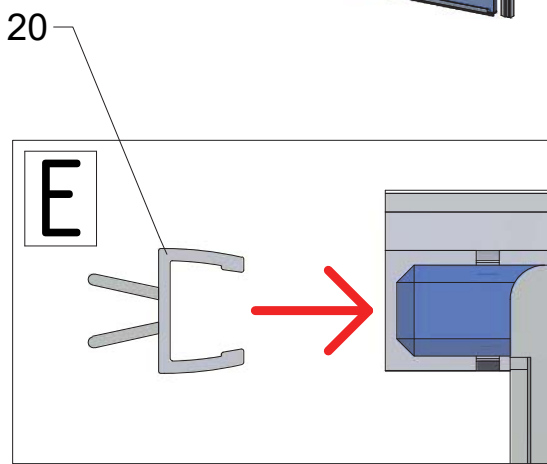
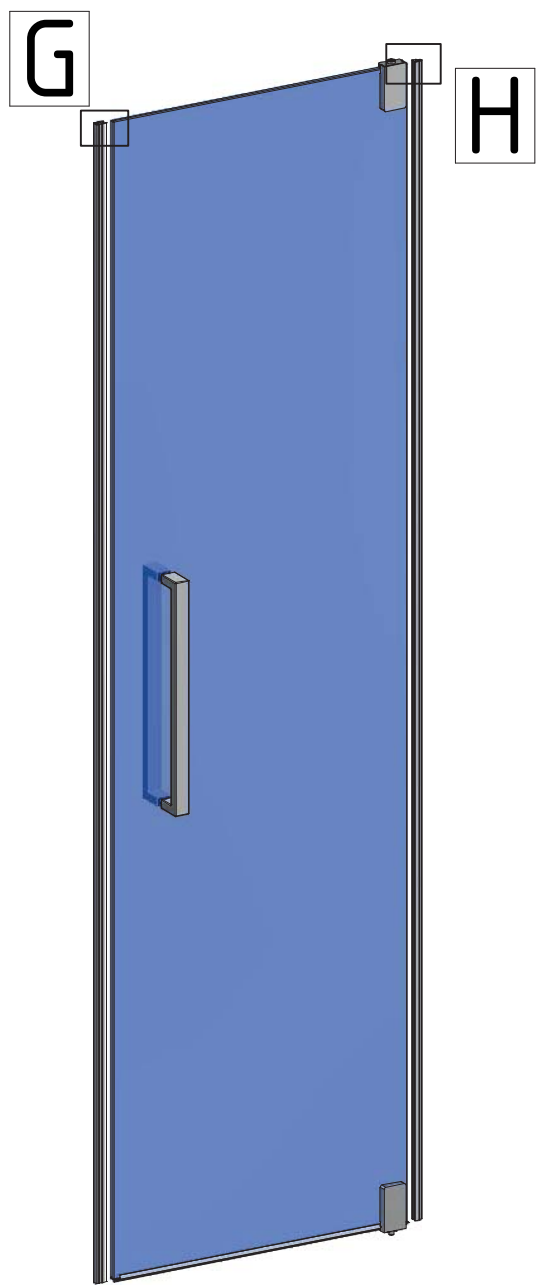
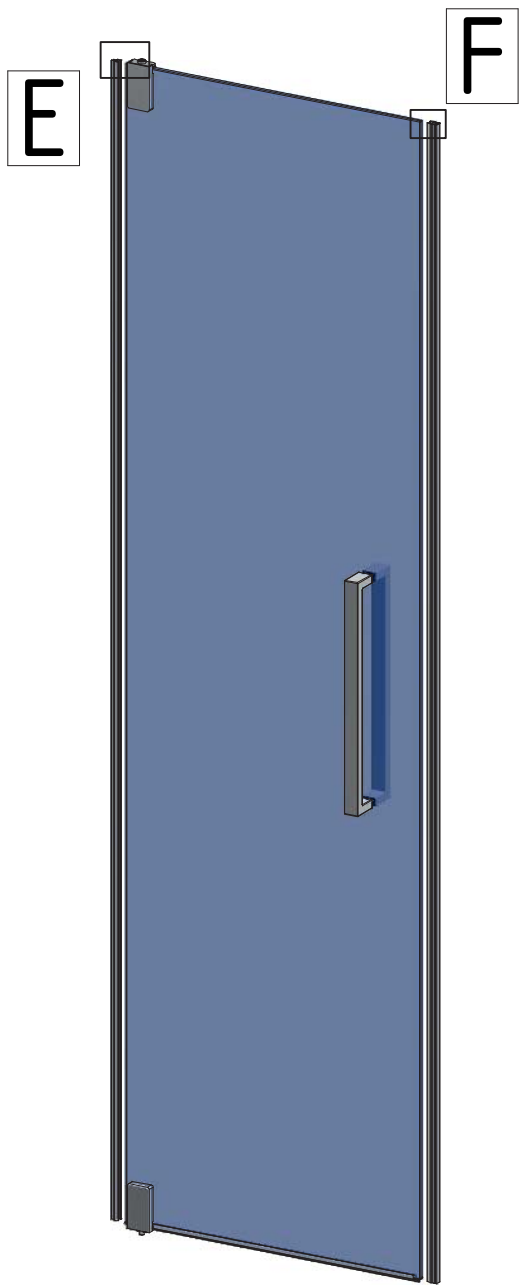
B

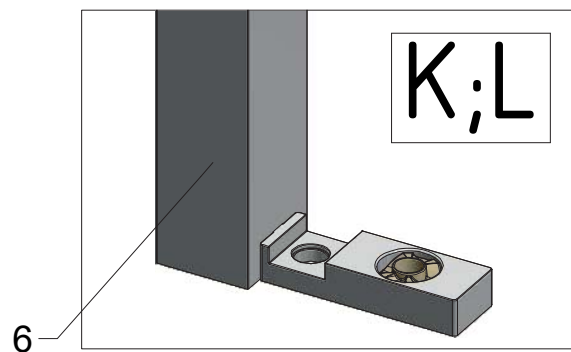
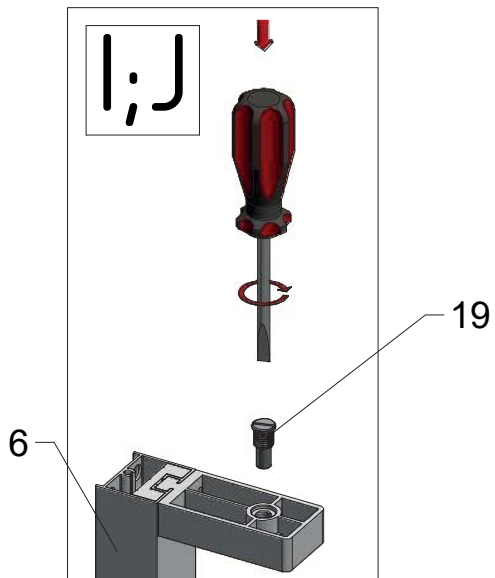
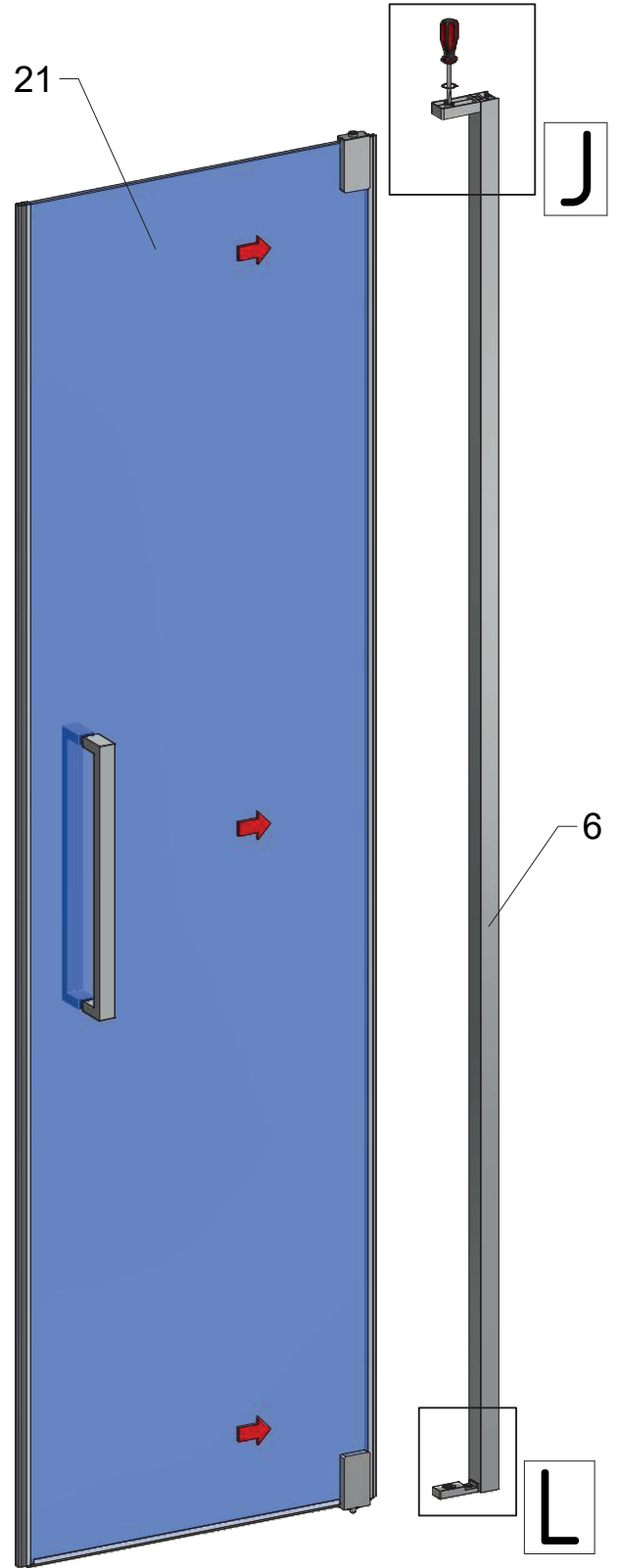
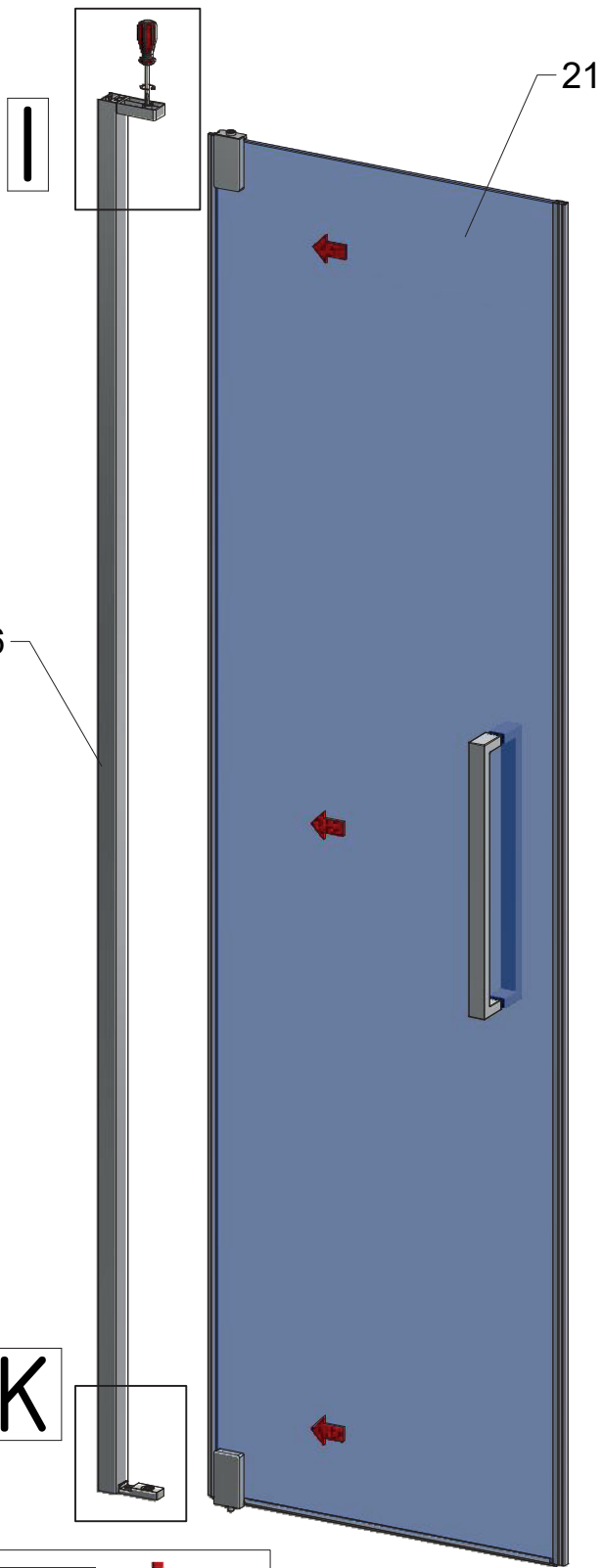


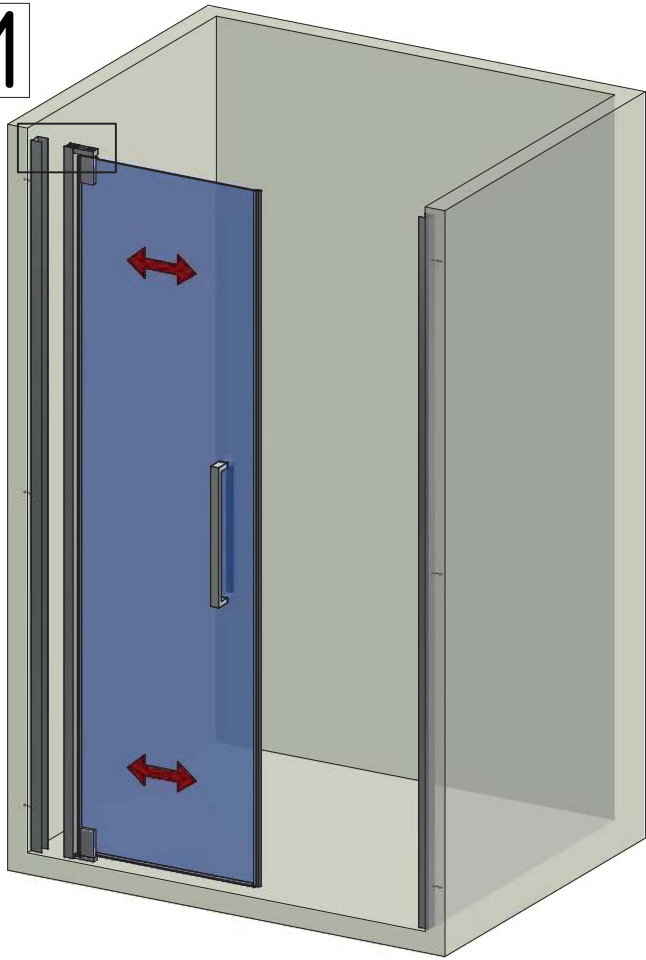
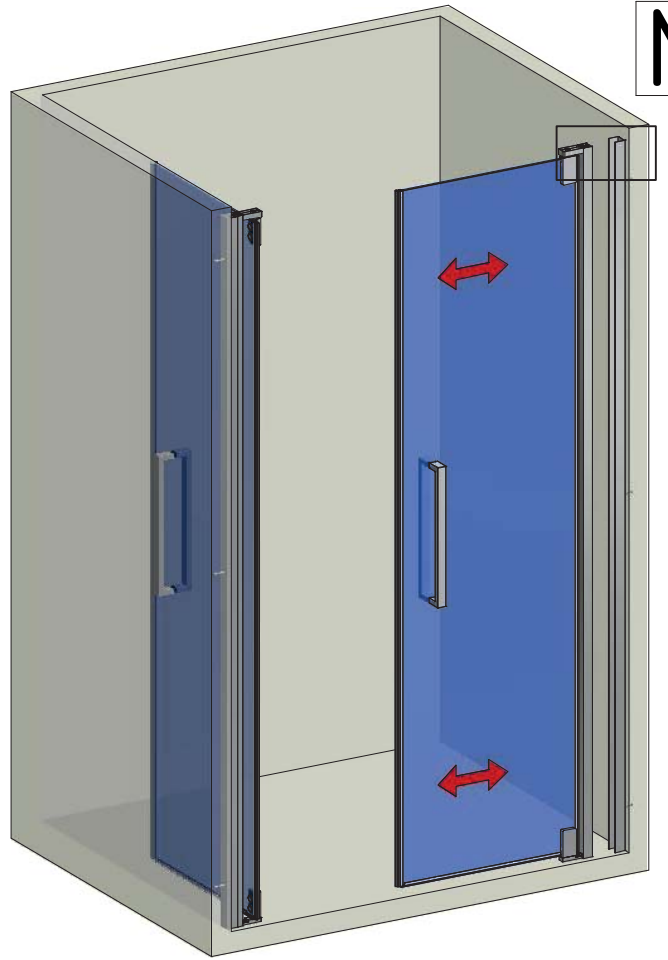
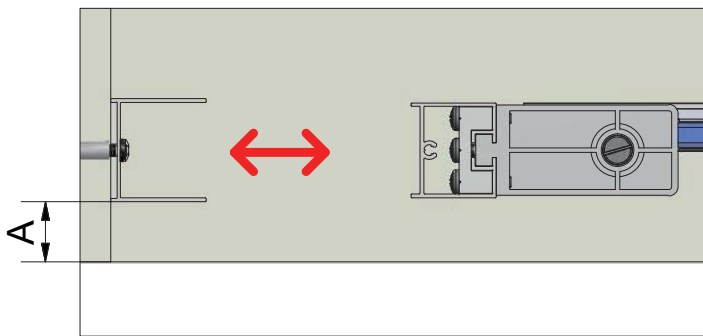
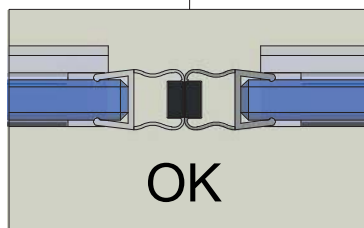
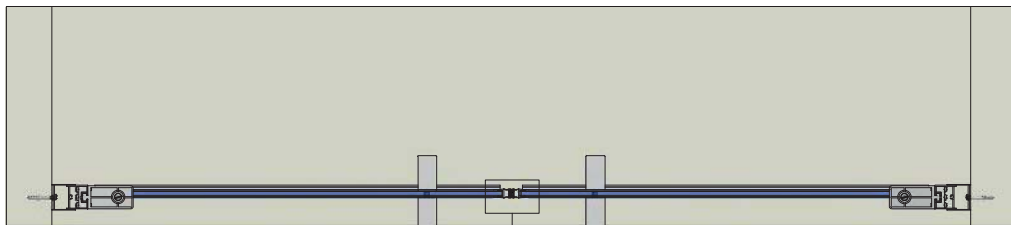
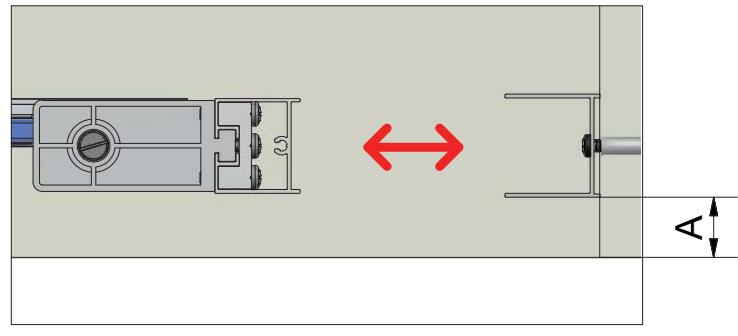
D

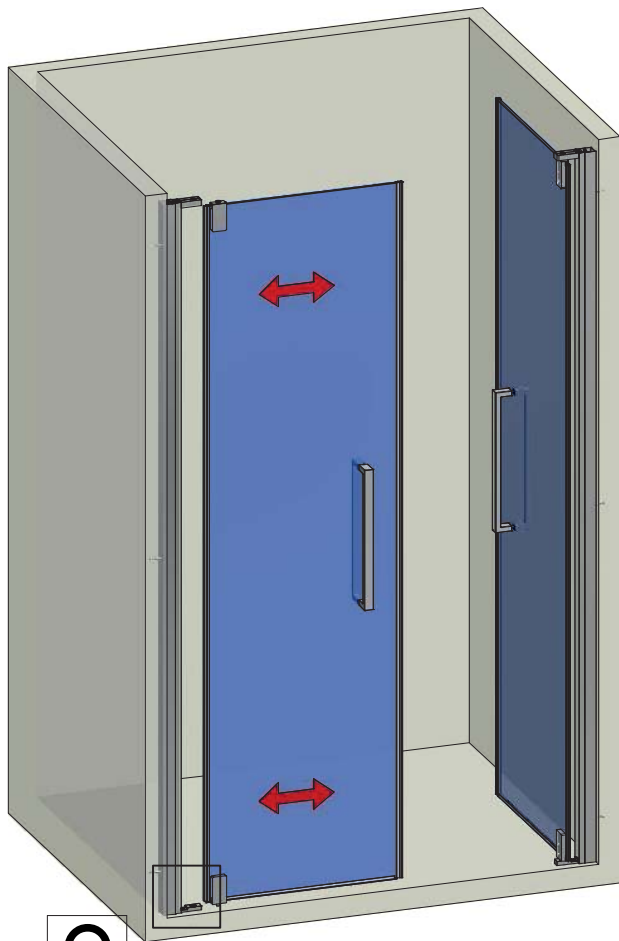
C



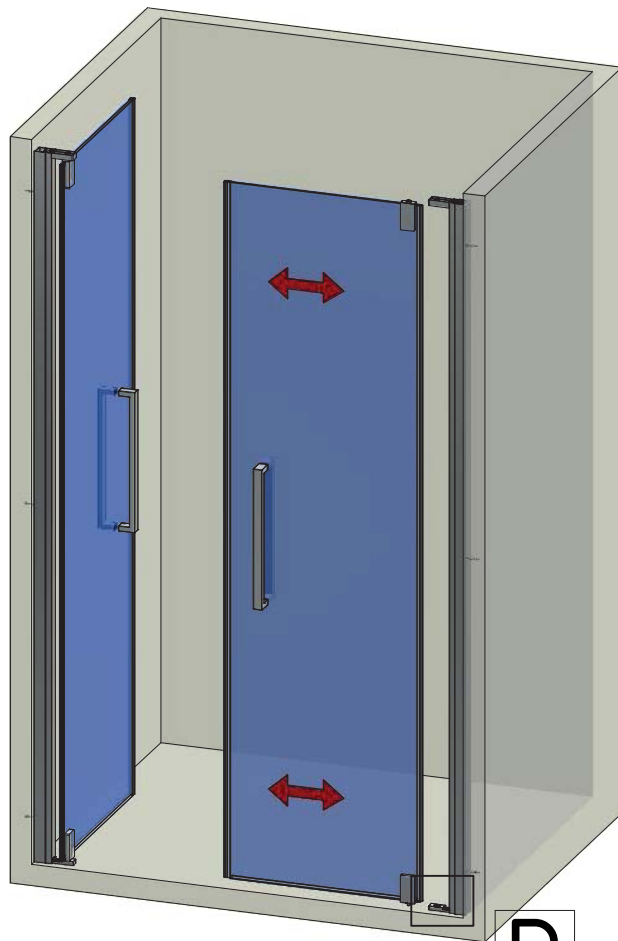




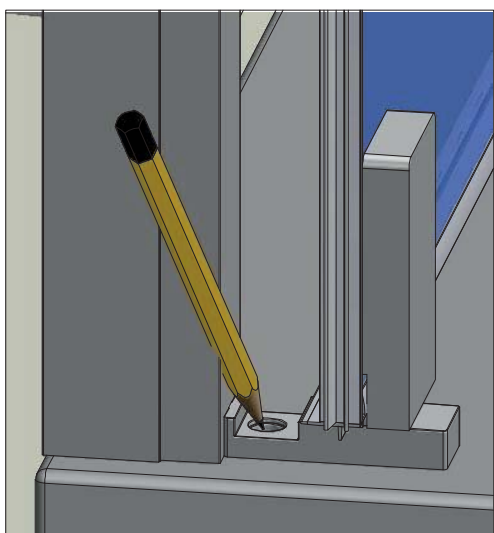
M**N****M****N**



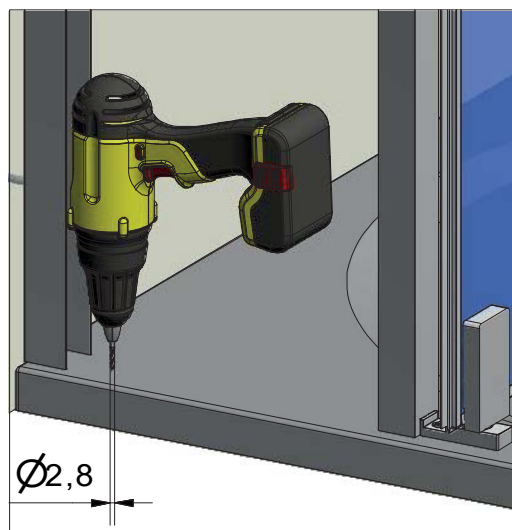
O



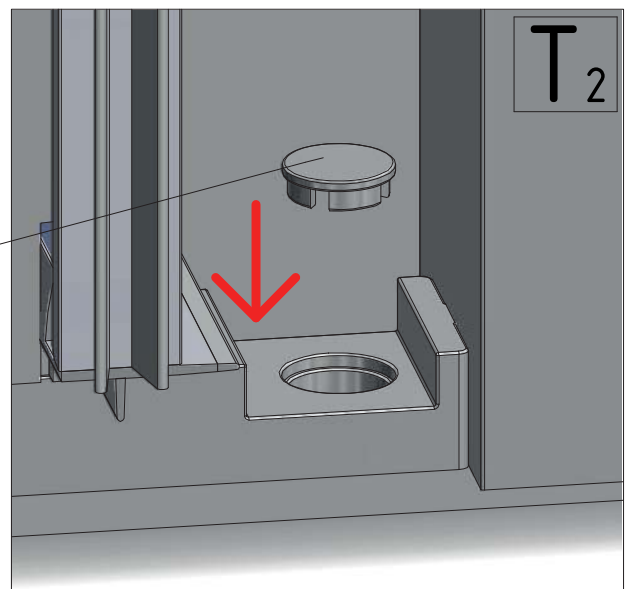
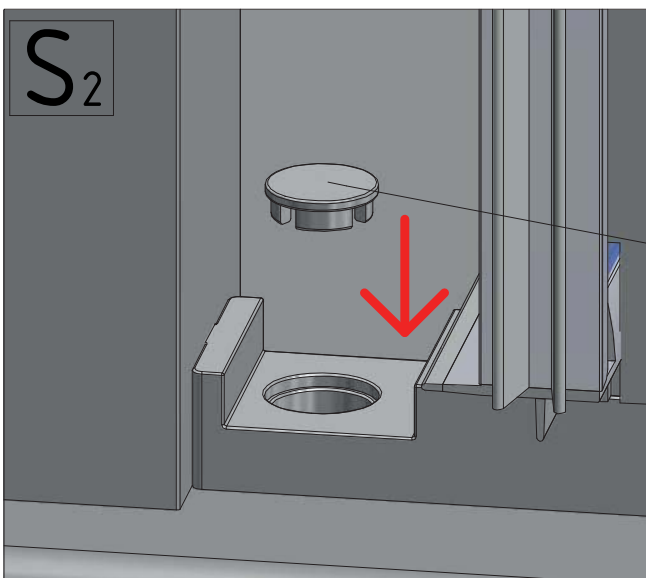
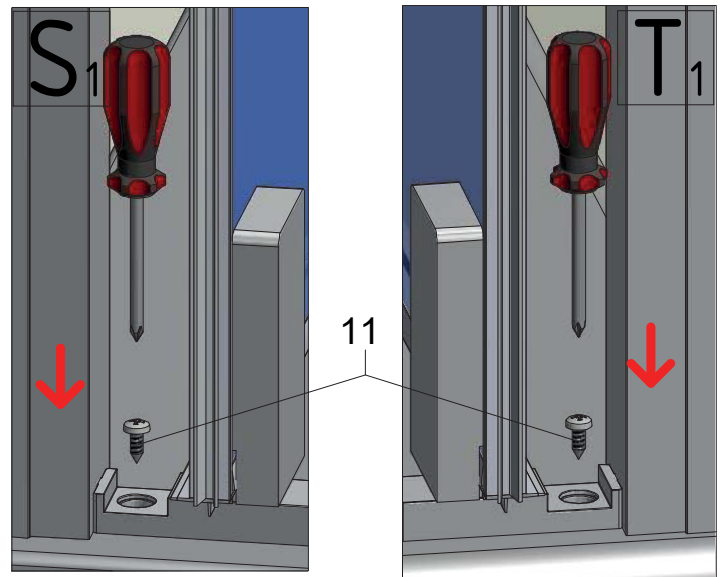
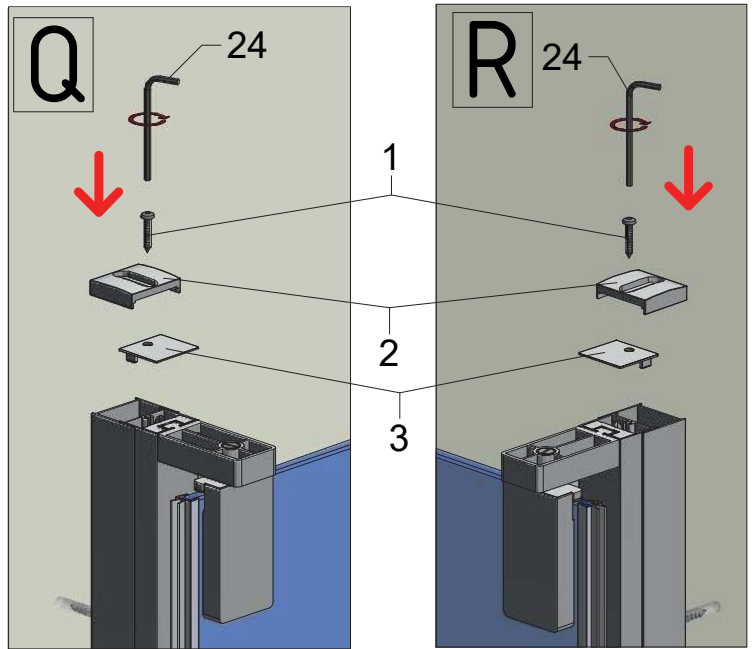
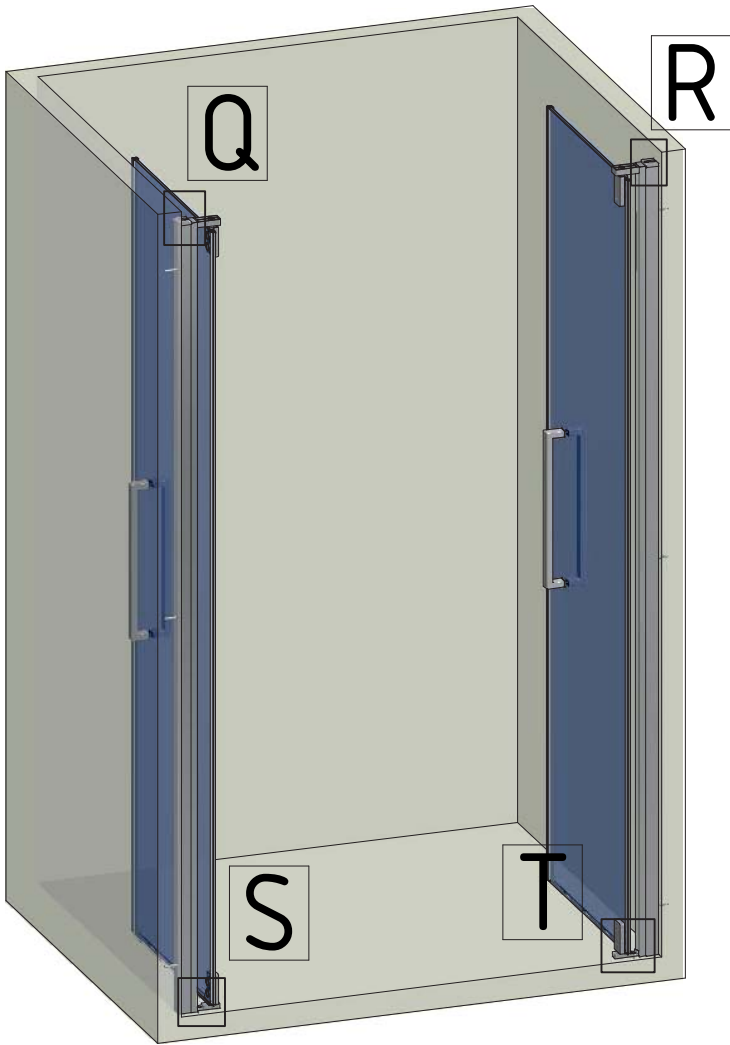
P

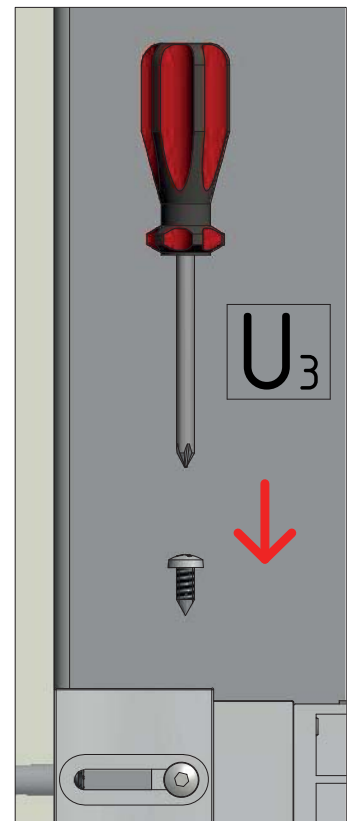
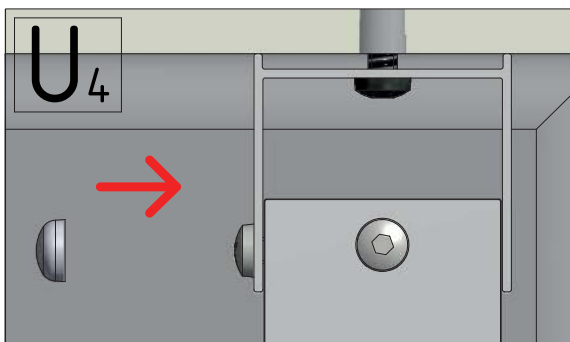
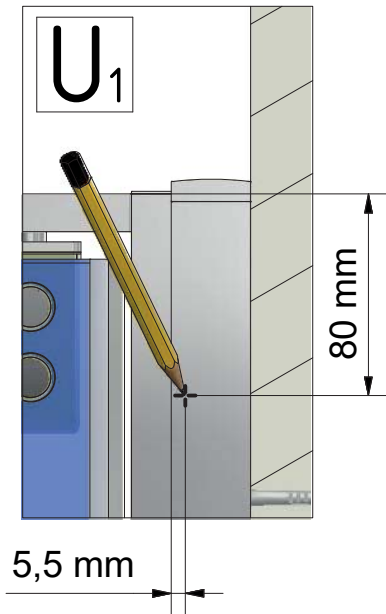
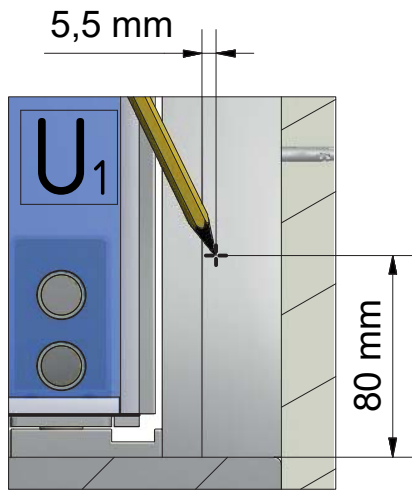
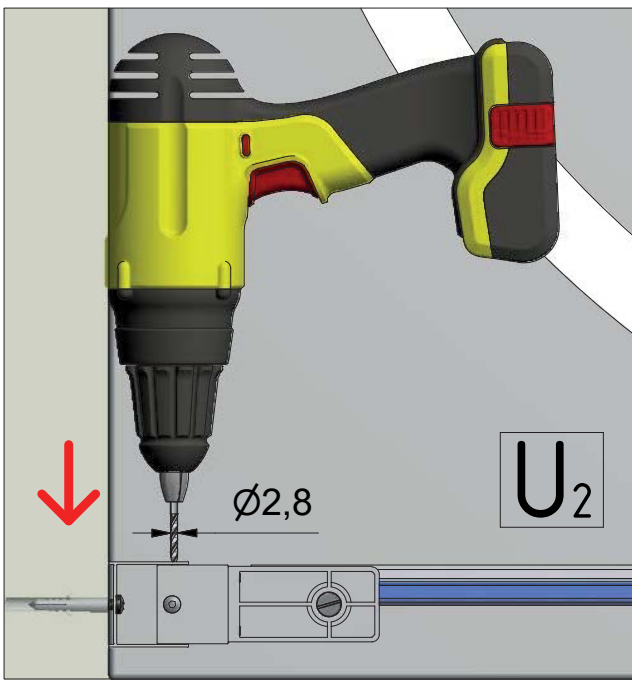
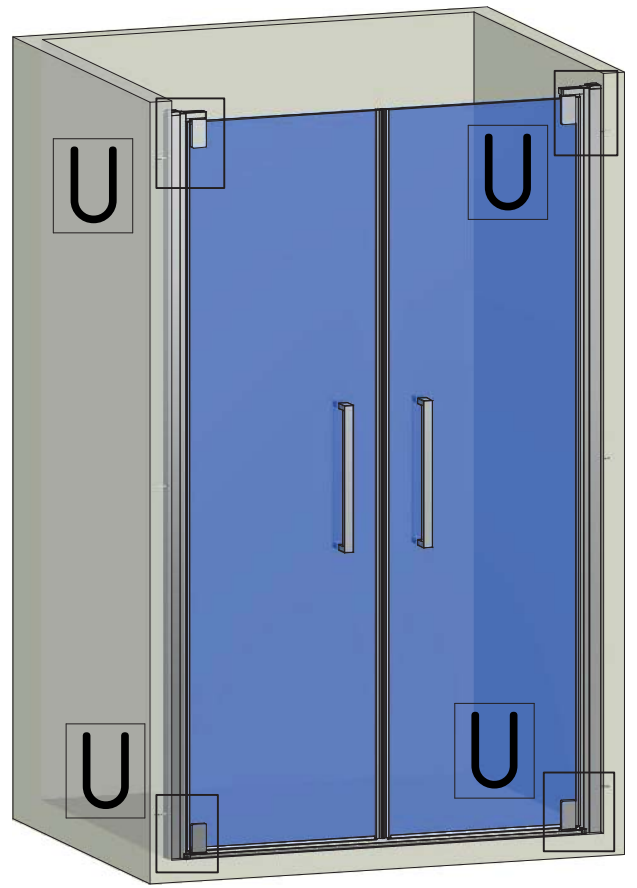
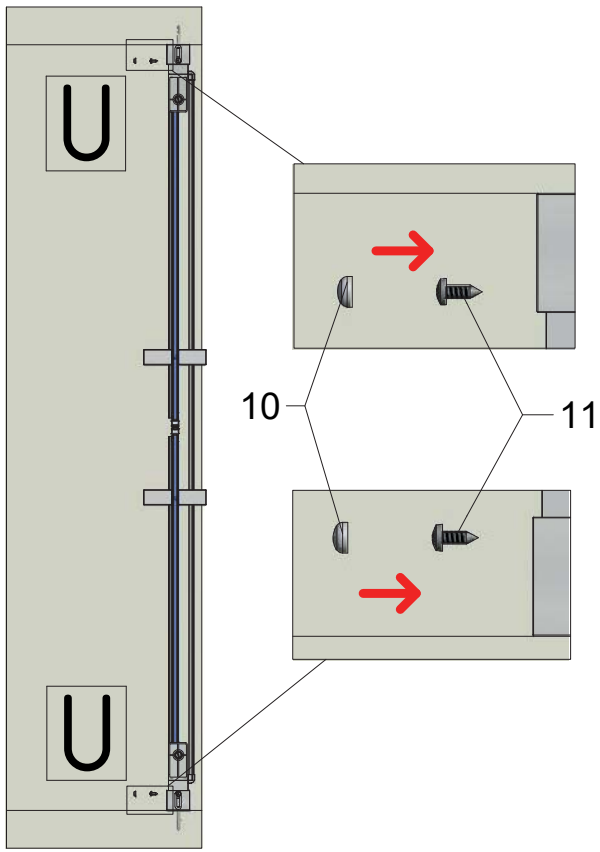


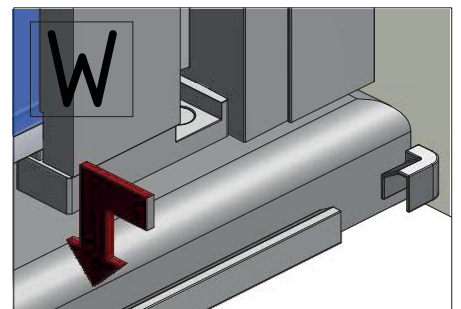
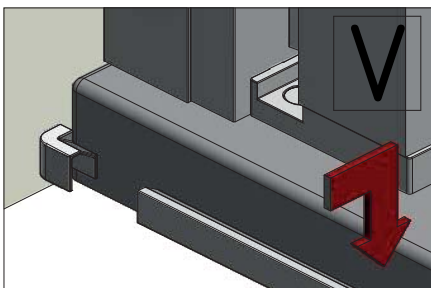
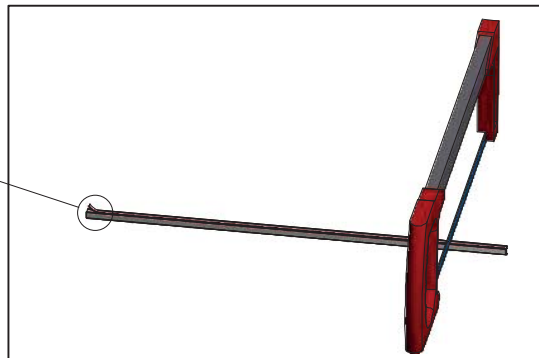
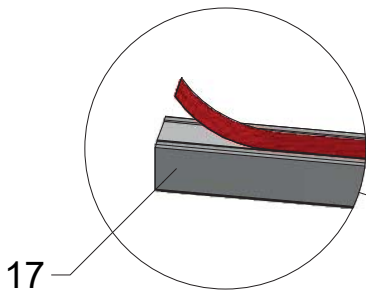
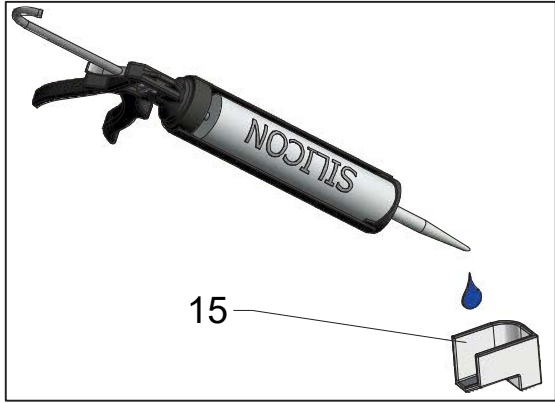
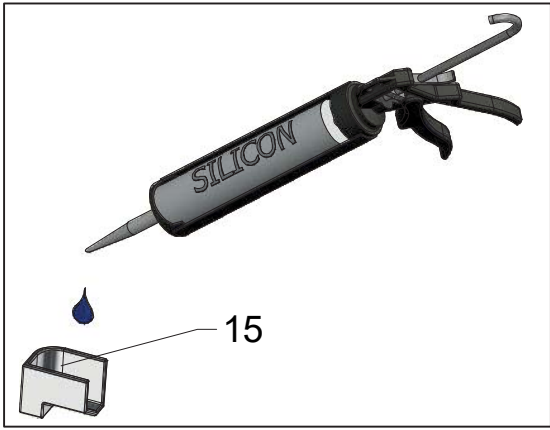
O₁;P₁

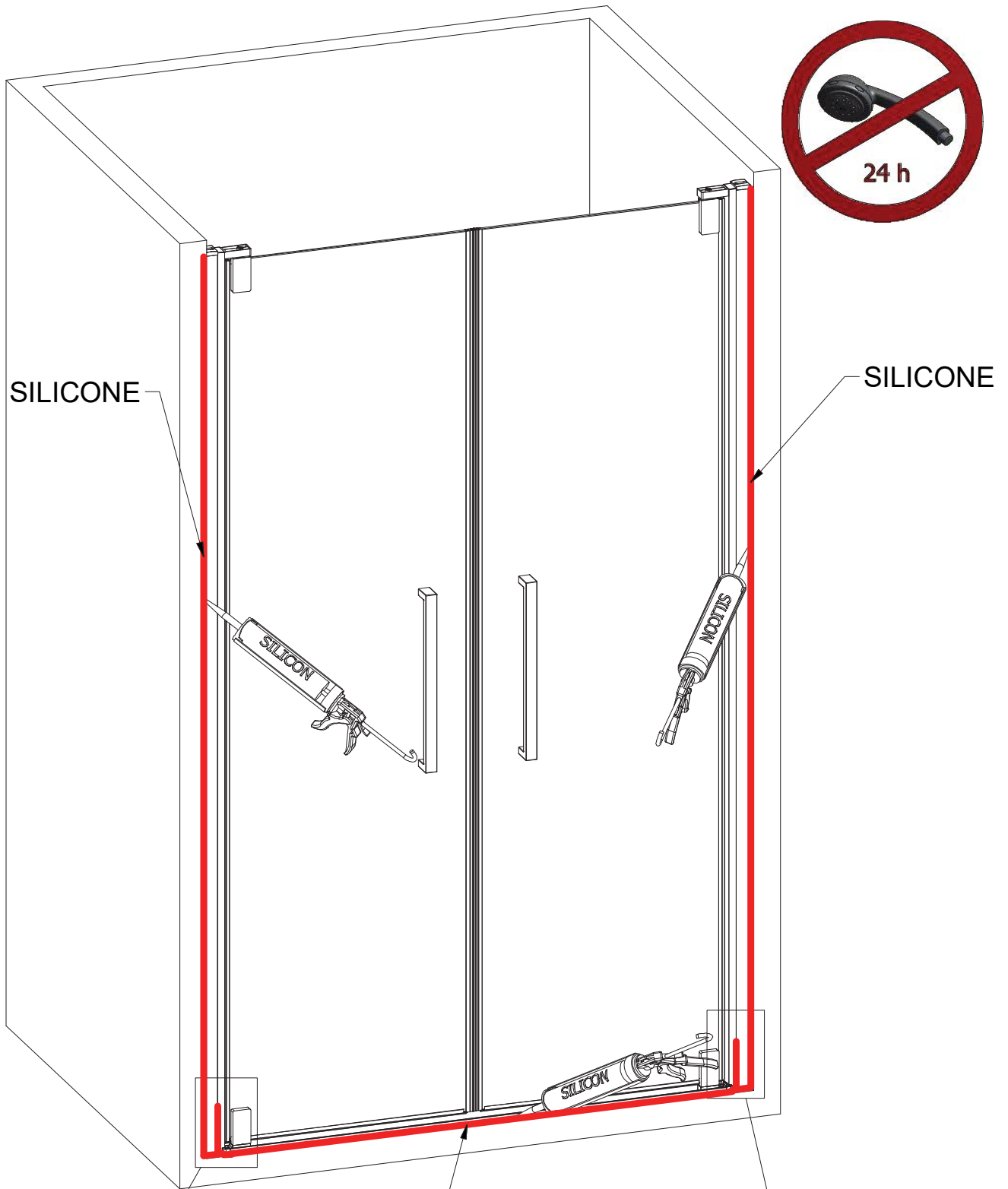


O₂;P₂

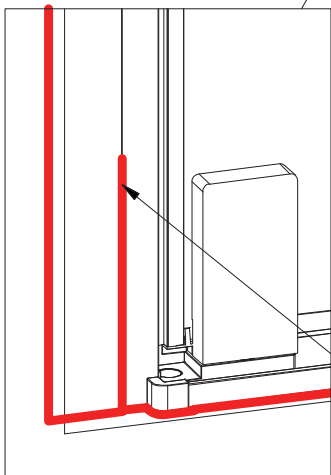




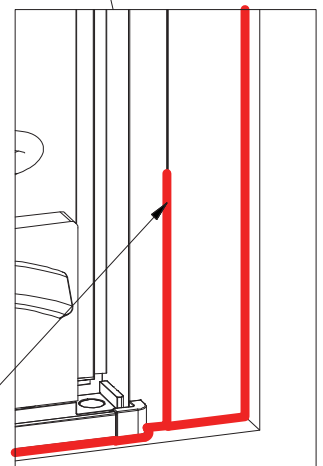




SILICONE



SILICONE
MIN 100mm



SILICONE
MIN 100mm



Roth Energy and Sanitary Systems

Generation

- > Solar systems
- > Heat pump systems
- > Solar heat pump systems

Storage

- Storage systems for
- > Domestic & heating water
 - > Combustibles and biofuels
 - > Rainwater and waste water

Application

- > Radiant heating and cooling systems
- > Pipe installation systems
- > Shower systems

Roth

■ Deutschland

ROTH WERKE GMBH
Am Seerain 2
35232 Dautphetal
Telefon: 06466/922-0
Telefax: 06466/922-100
E-Mail: service@roth-werke.de
www.roth-werke.de

■ Czech Republic

Roth Czech s.r.o.
Třebořov 160
569 33 Třebořov
Tel.: +420 461 324 301
Fax.: +420 461 324 297
E-Mail: objednavky@roth-czech.cz
www.roth-czech.cz