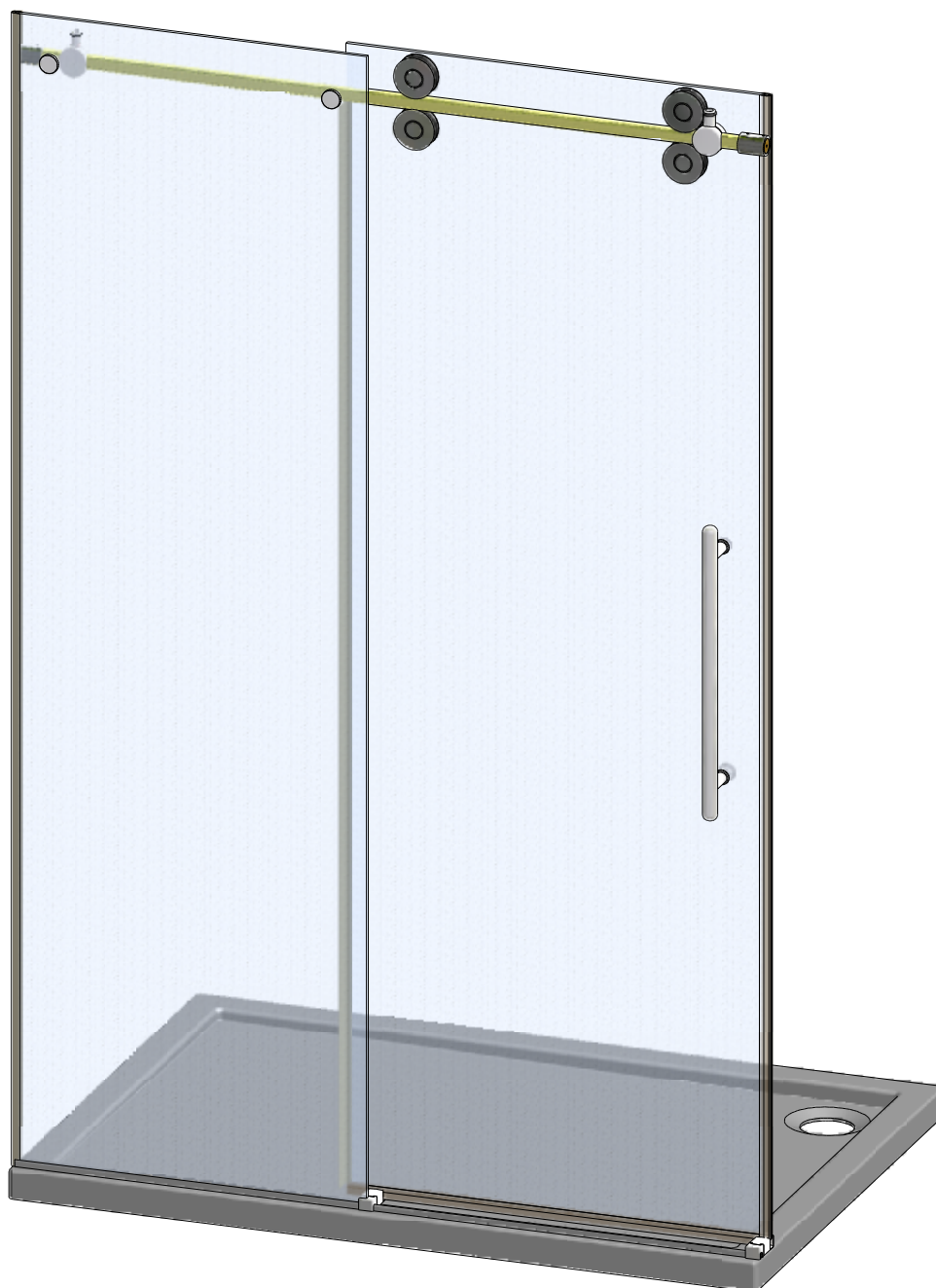
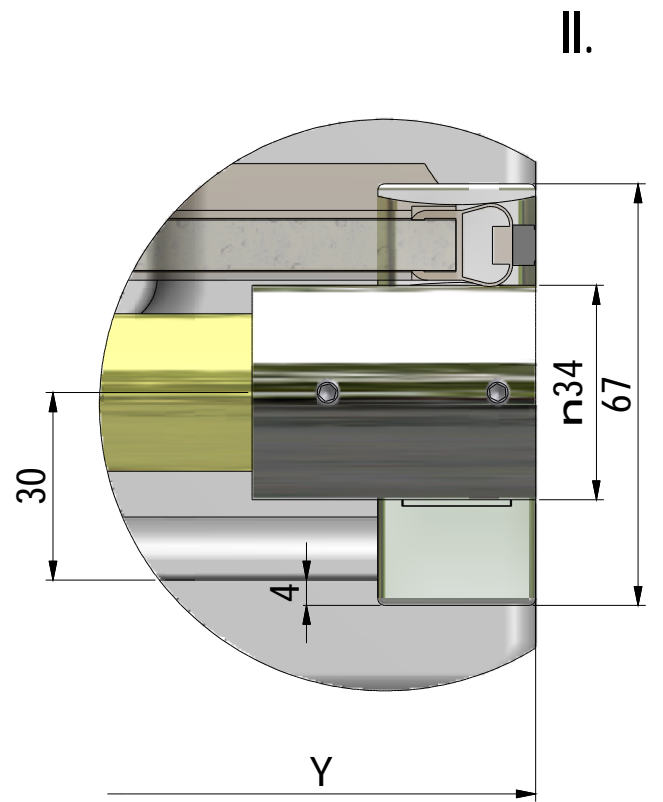
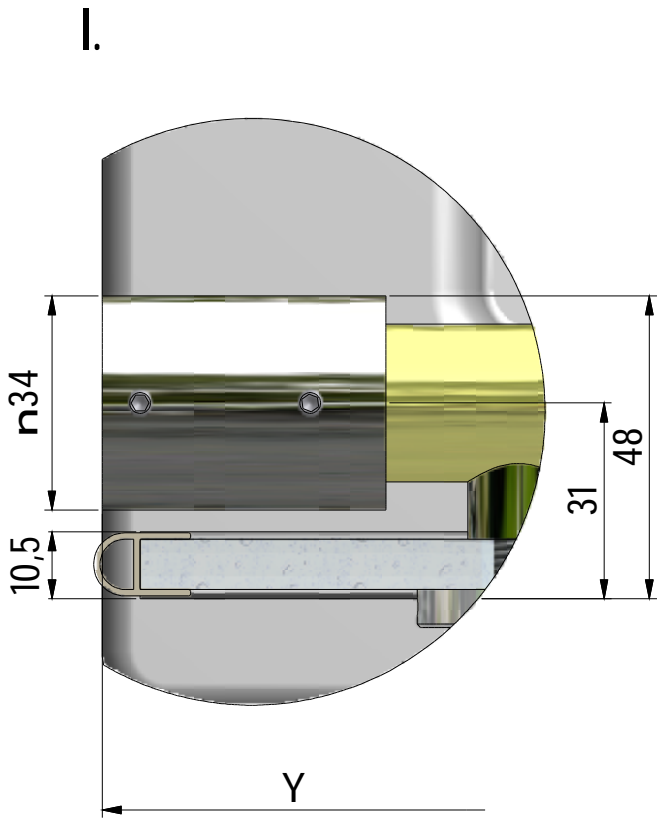
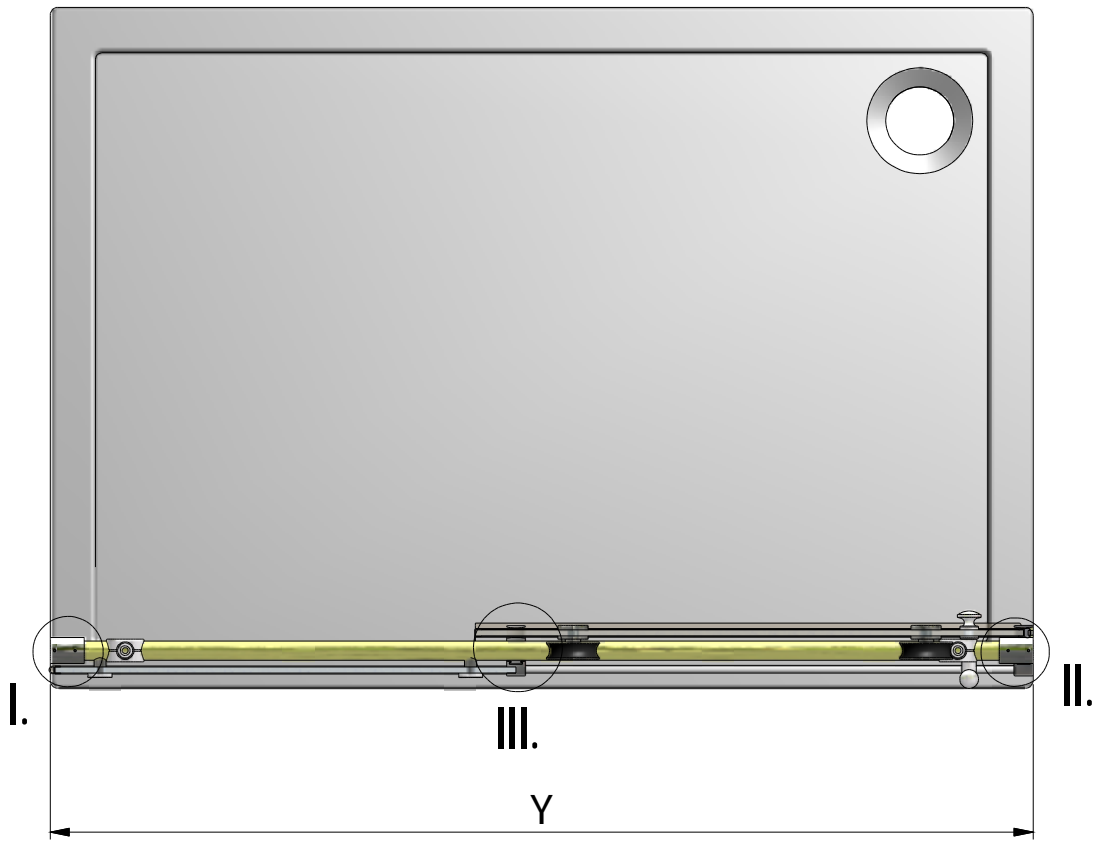
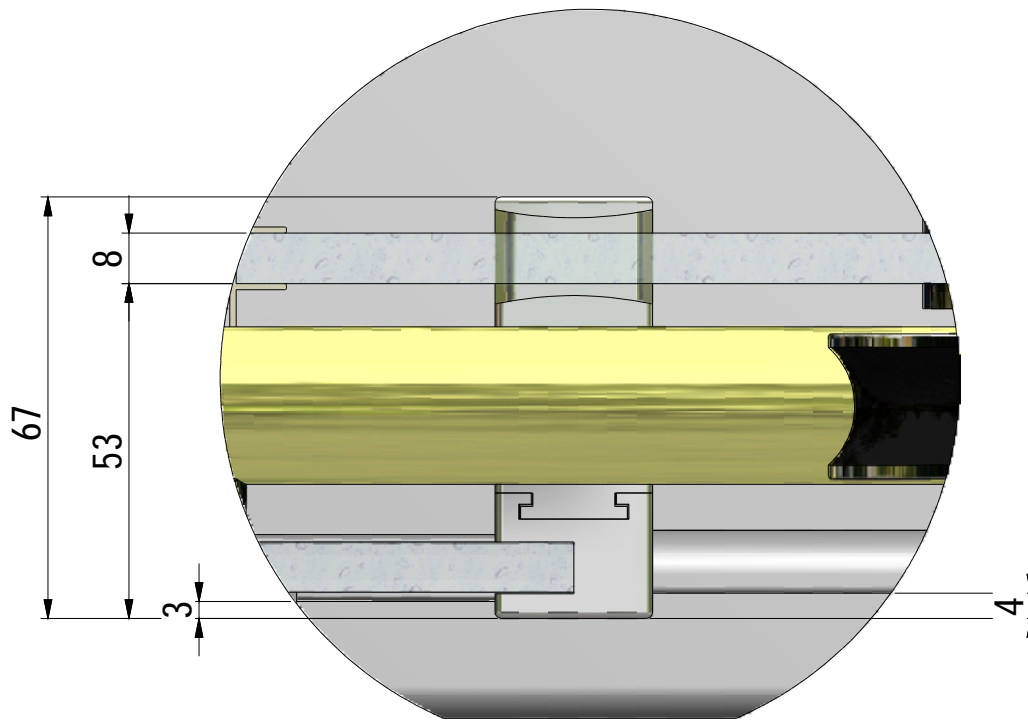


KID2



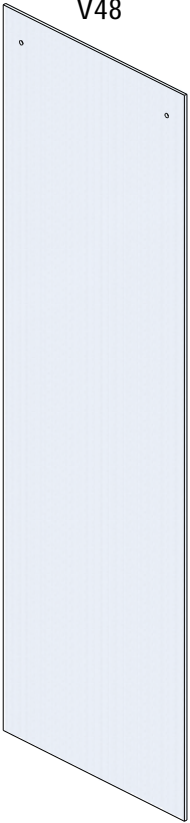


III.

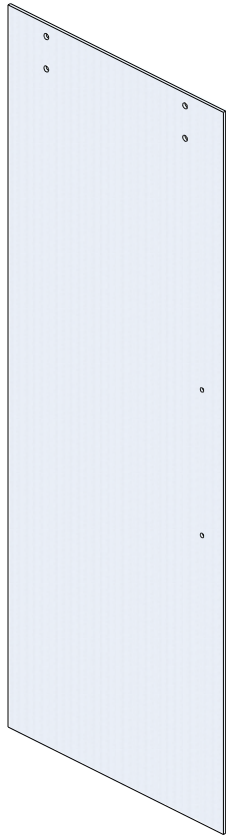


KID2	Y (mm)	
	MIN	MAX
1300	1150	1310
1500	1300	1510
1800	1500	1810
2000	1800	2010

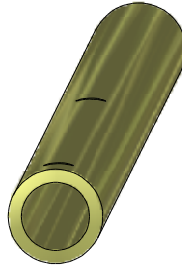
1. 1x
V48



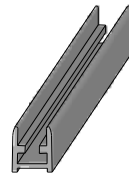
2. 1x
V47



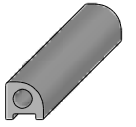
3. 1x
P73



4. 1x
P132



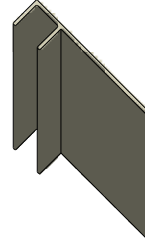
5. 1x
P131



6. 1x
M9751



7. 1x
M9137



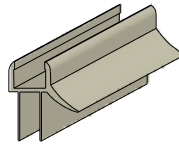
20. 1x
MA0852



25. 1x
MA0851



22. 1x
P129



10. 4x
M0511



8. 2x
M0811



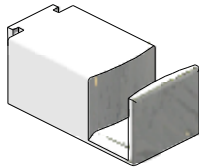
18. 2x
M0787



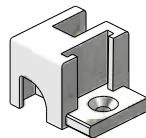
12. 1x
M9134



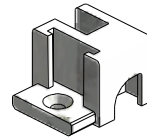
19. 2x
MA0749



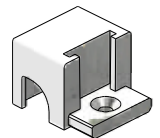
14. 1x
MA0743



16. 1x
MA0744



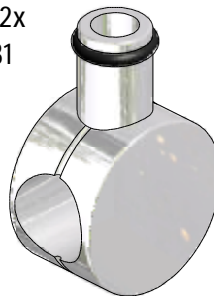
17. 1x
MA0745



14. 2x
M9129



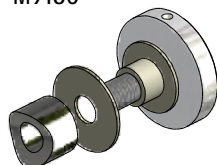
15. 2x
M9131

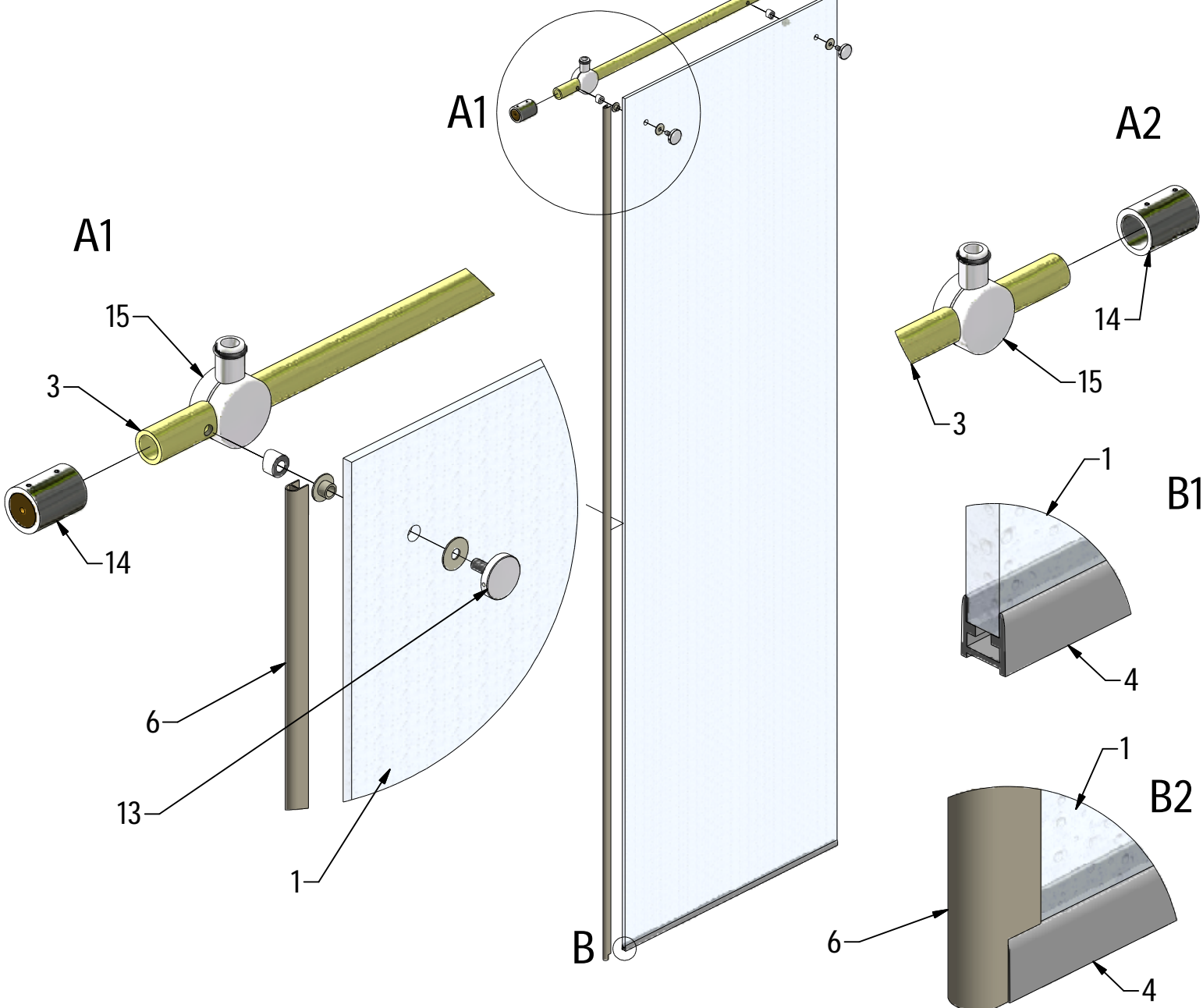
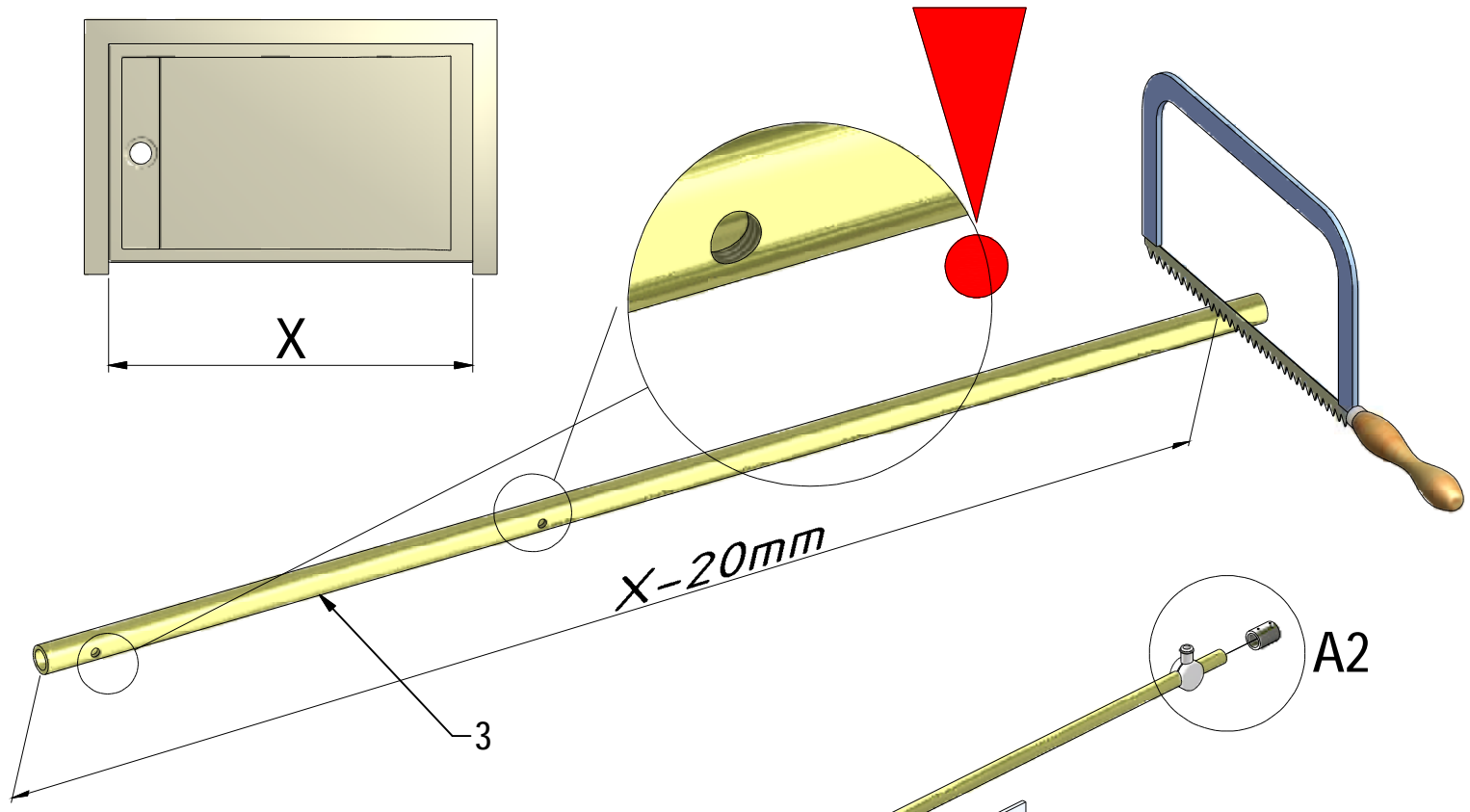


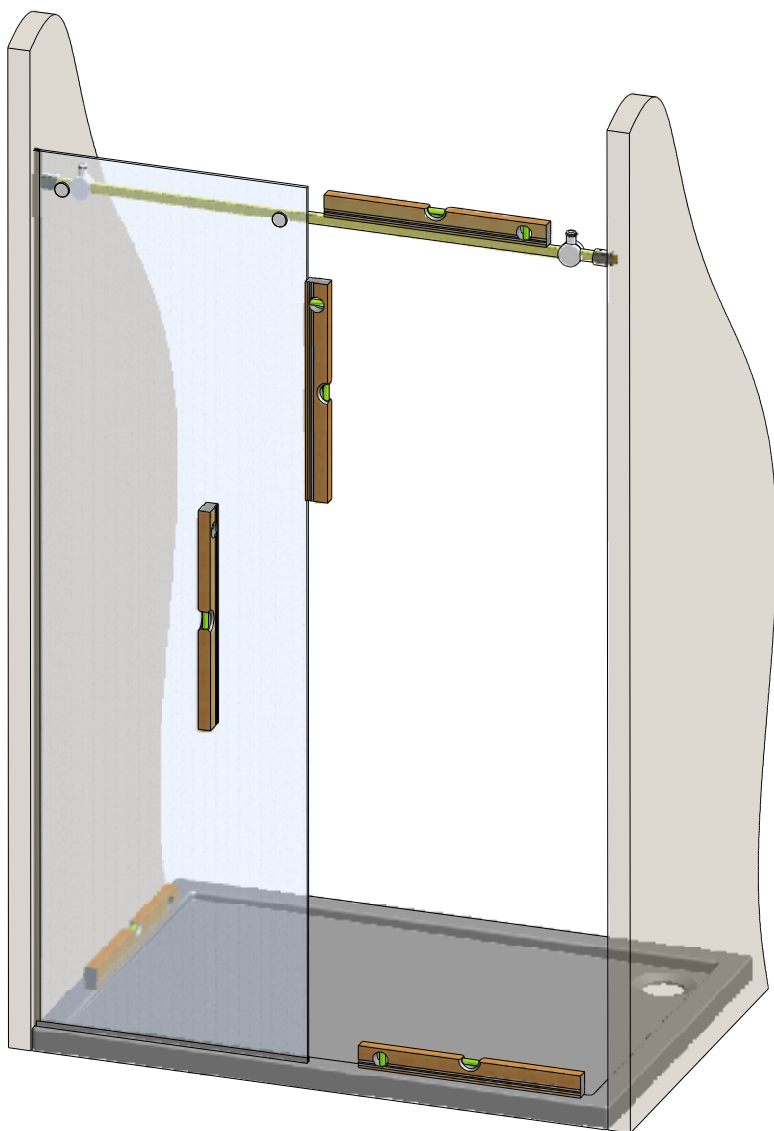
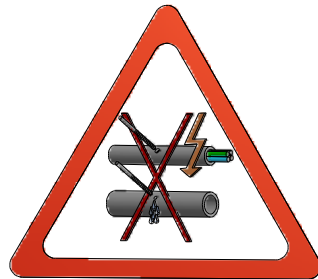
9. 4x
M9126



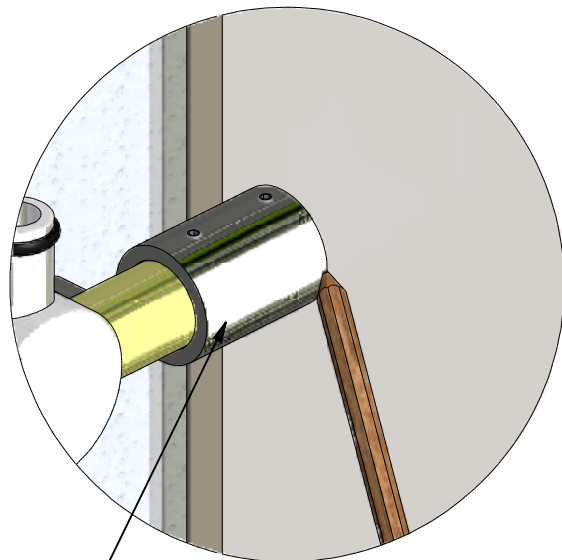
13. 2x
M9130





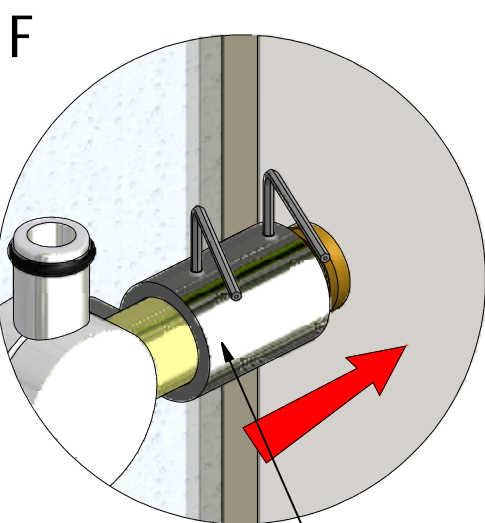
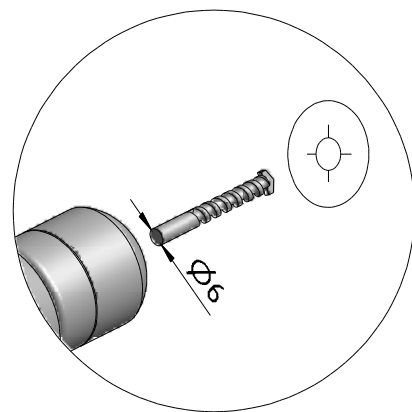


C



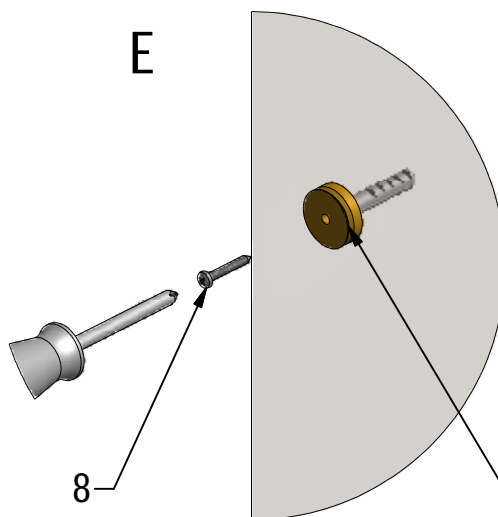
14

D1 2x



F

14

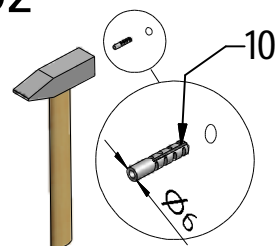


E

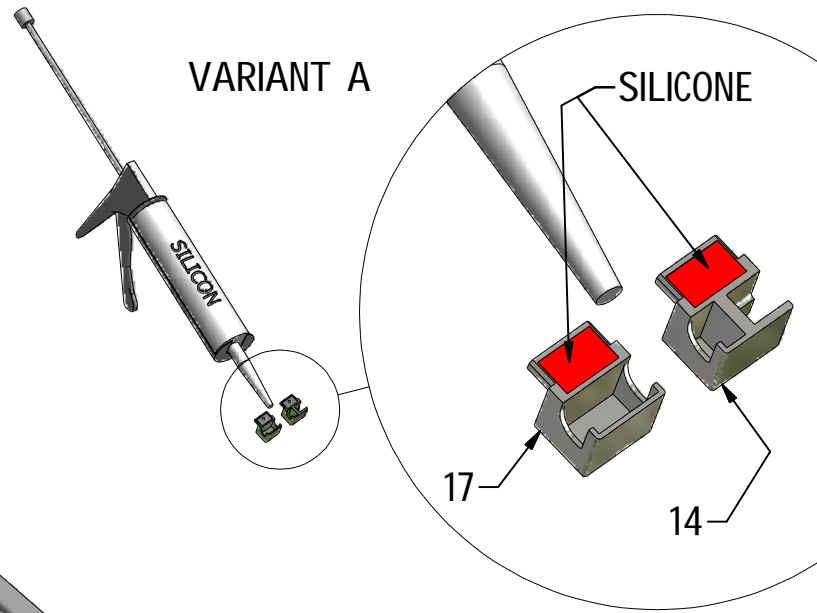
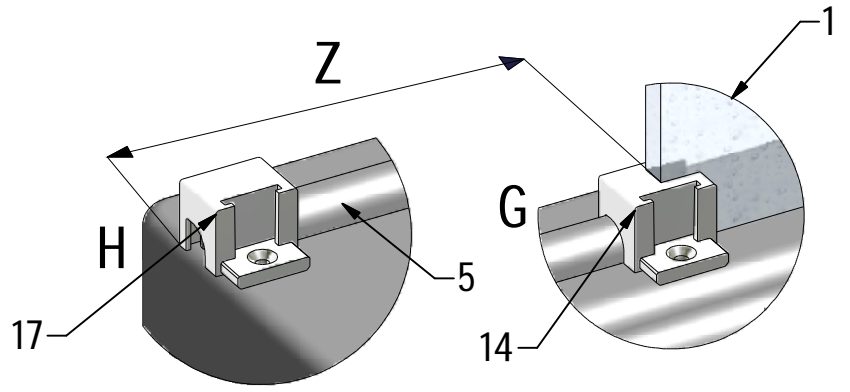
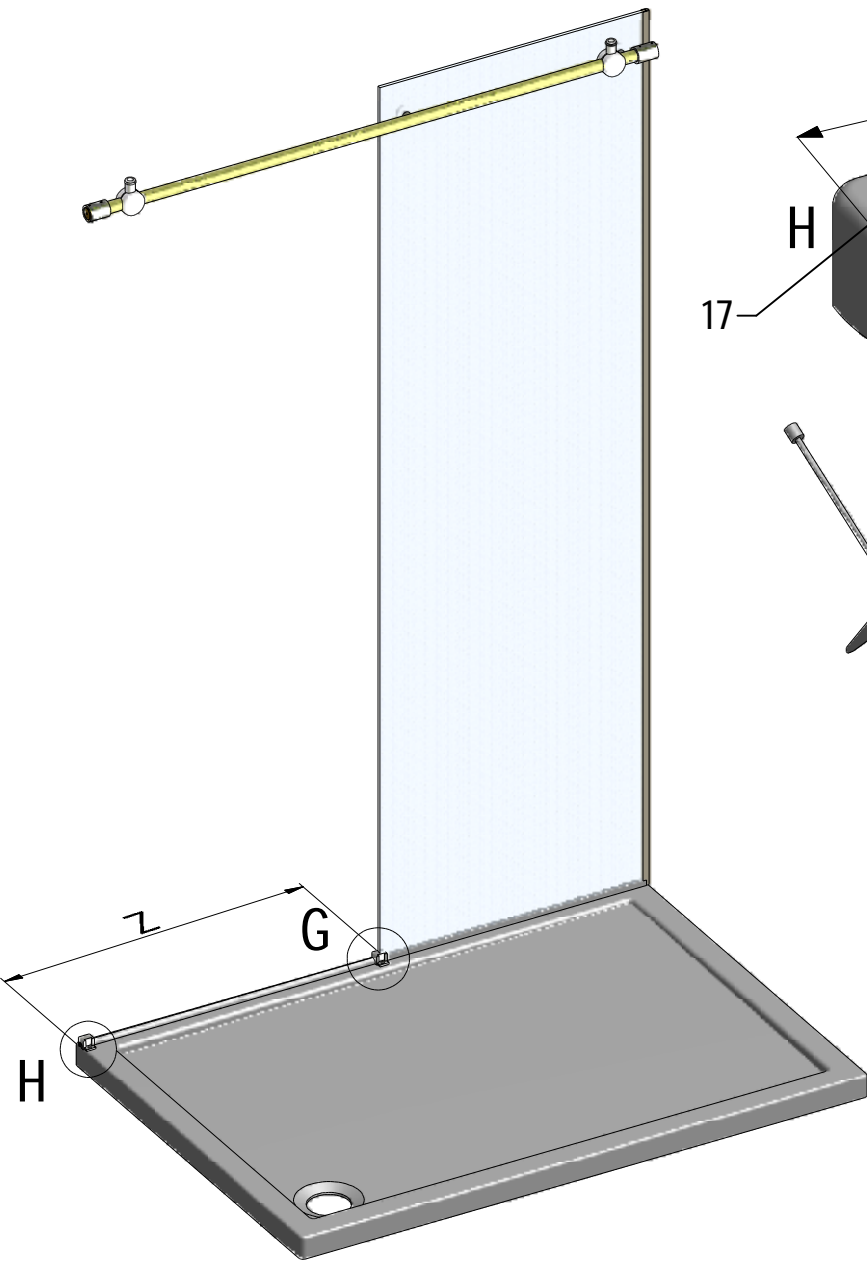
8

14

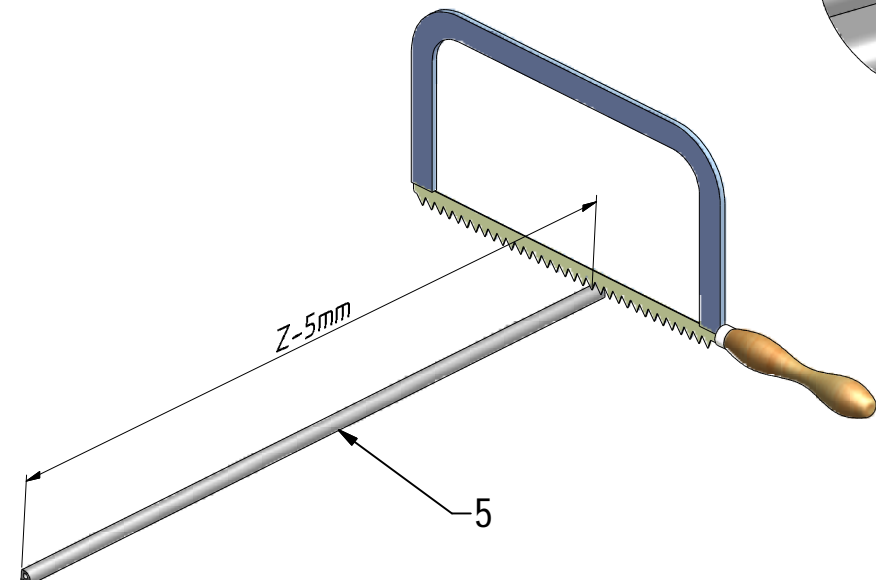
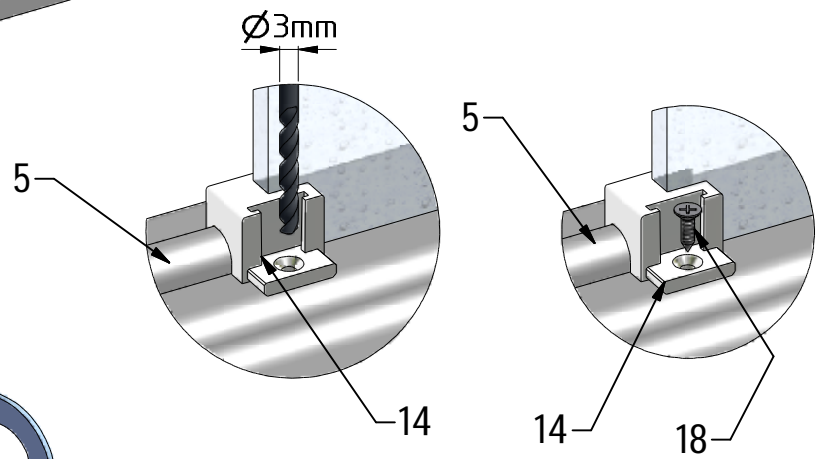
D2

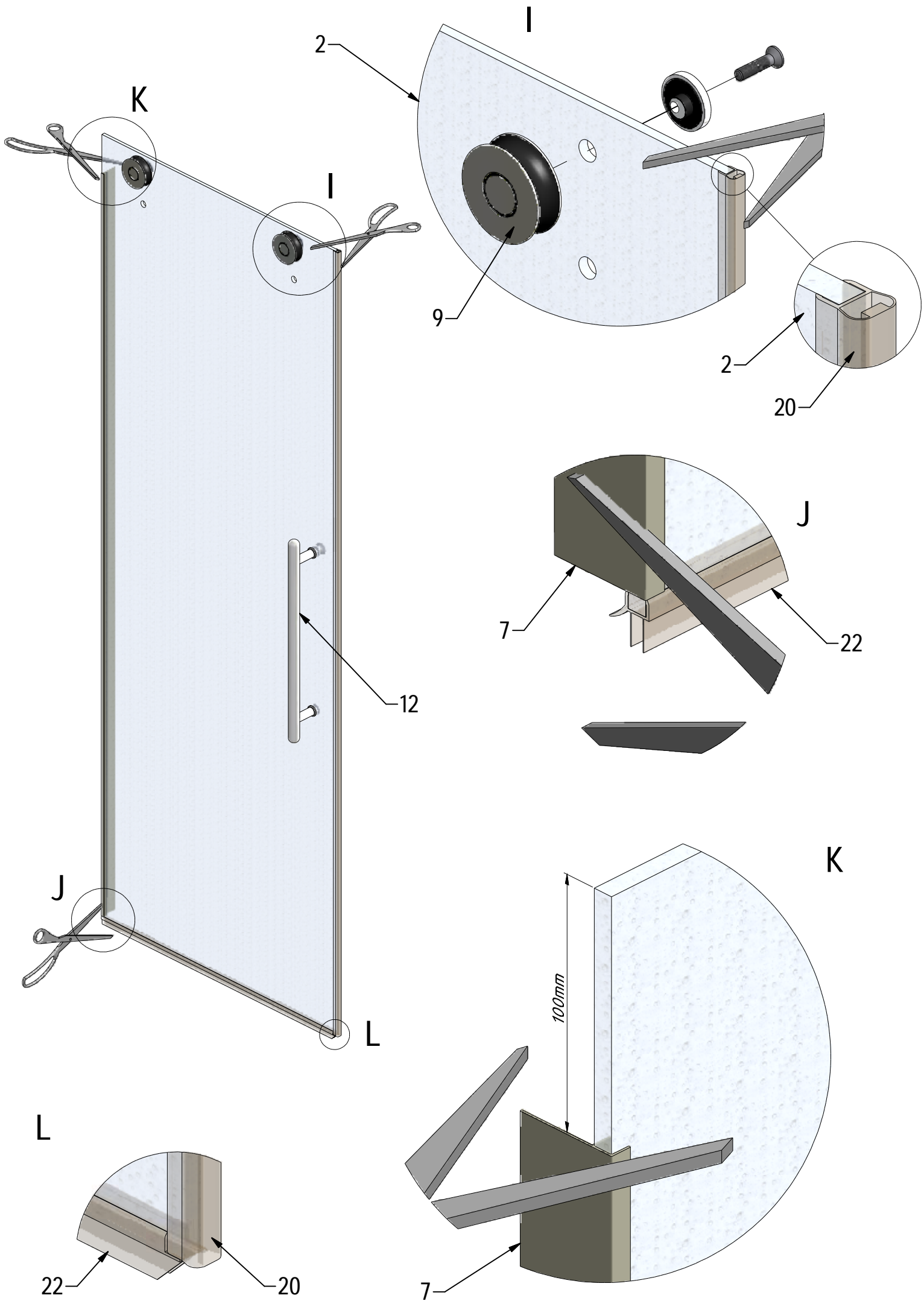


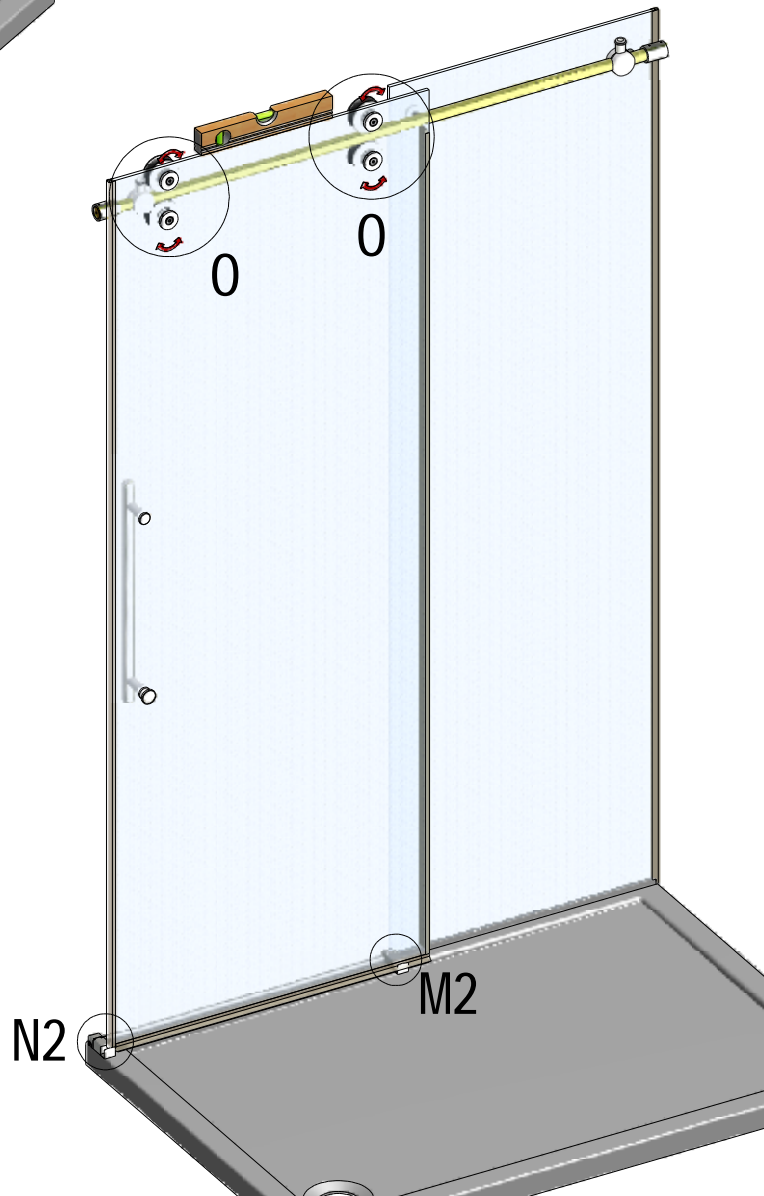
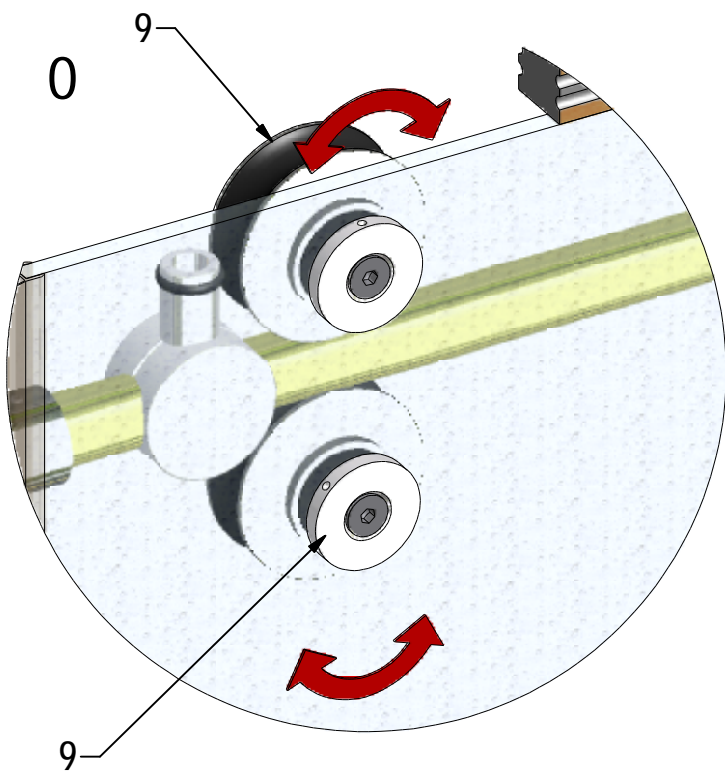
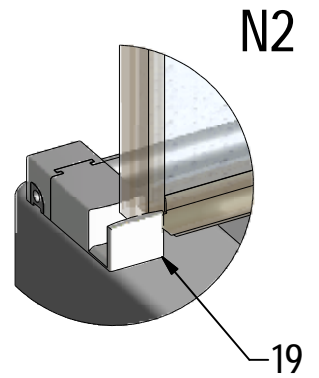
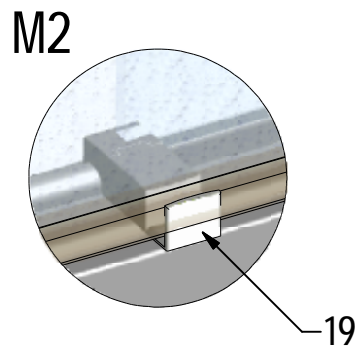
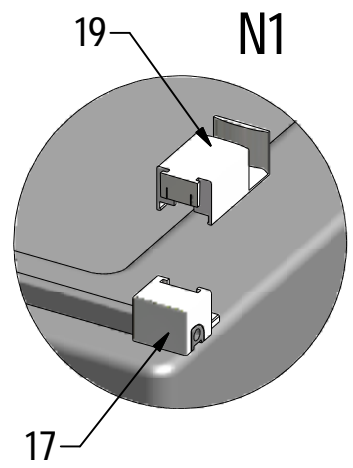
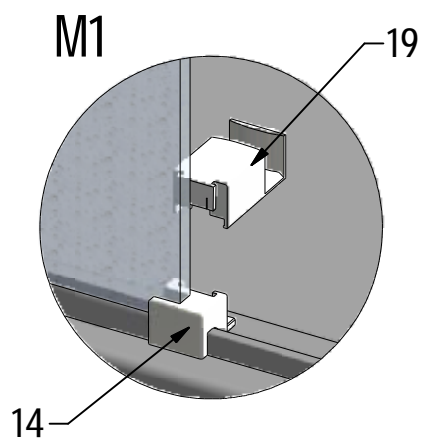
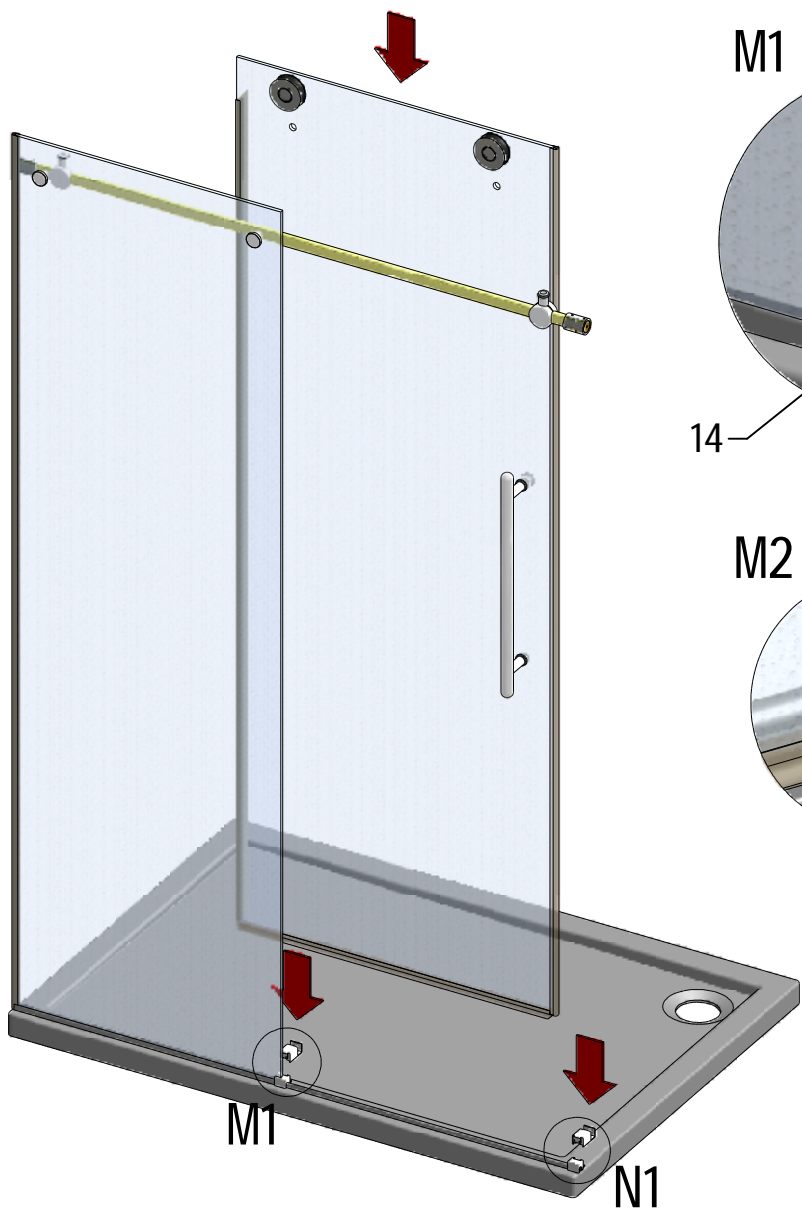
10

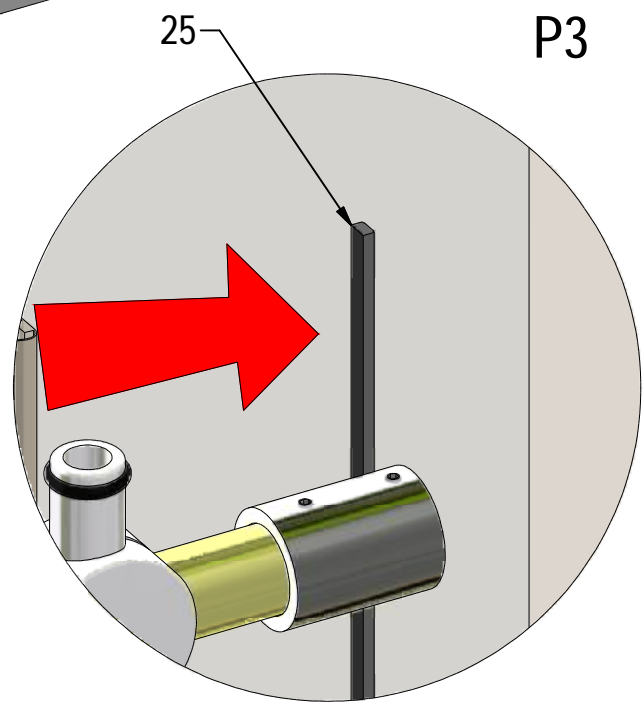
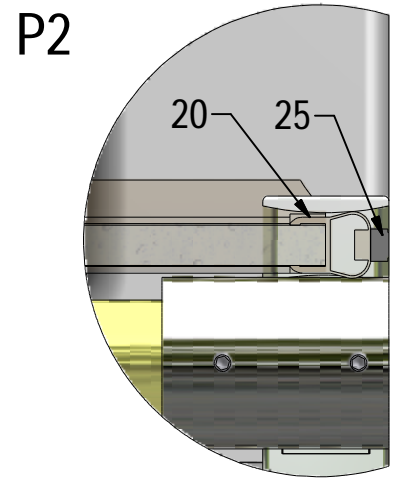
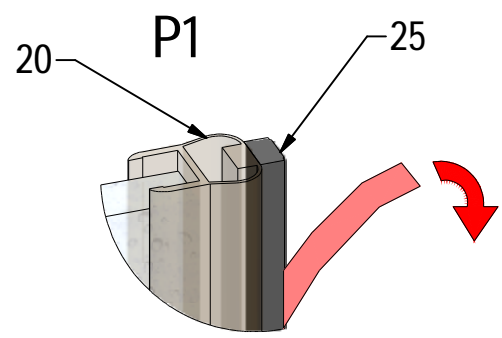
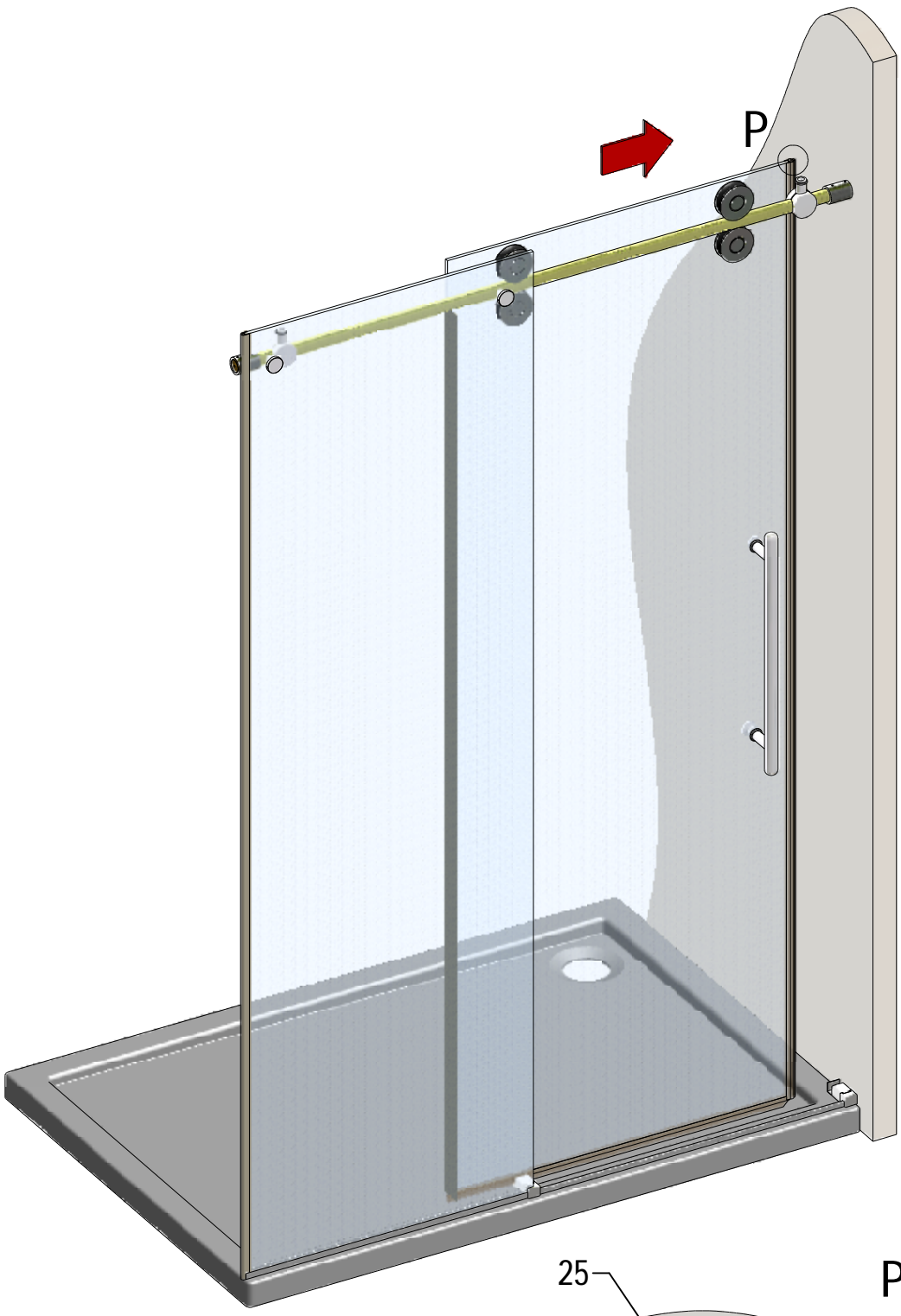


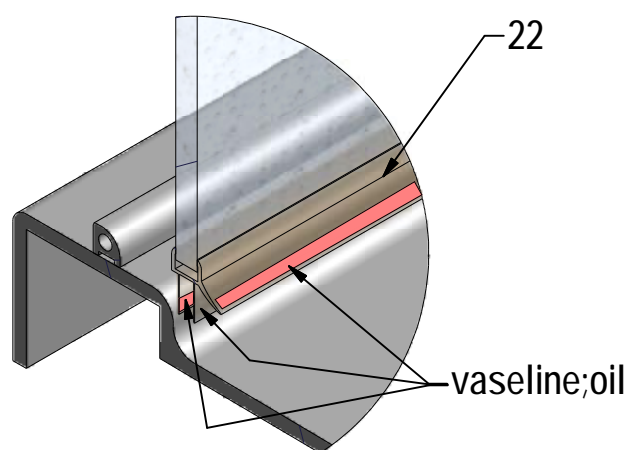
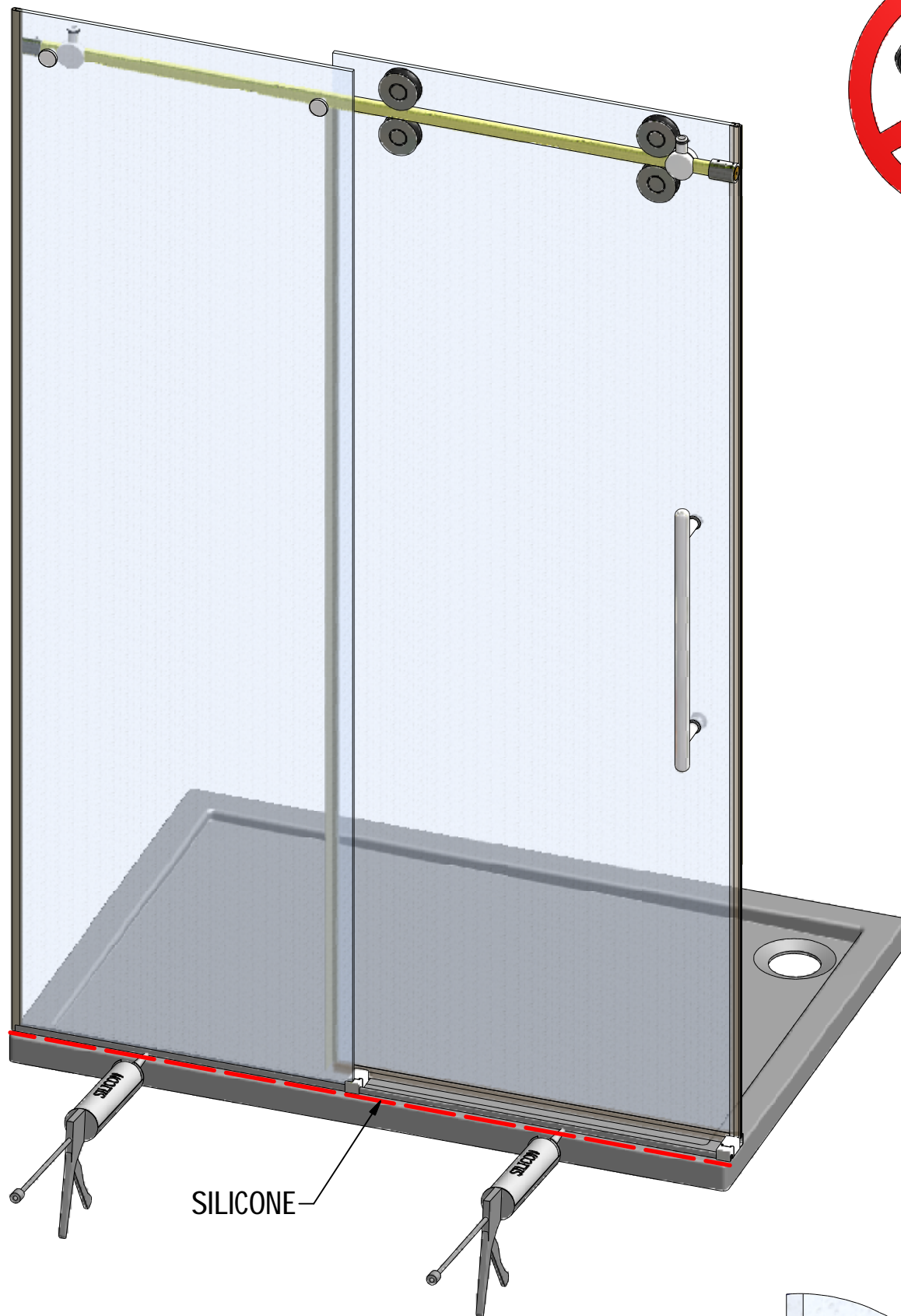
VARIANT B



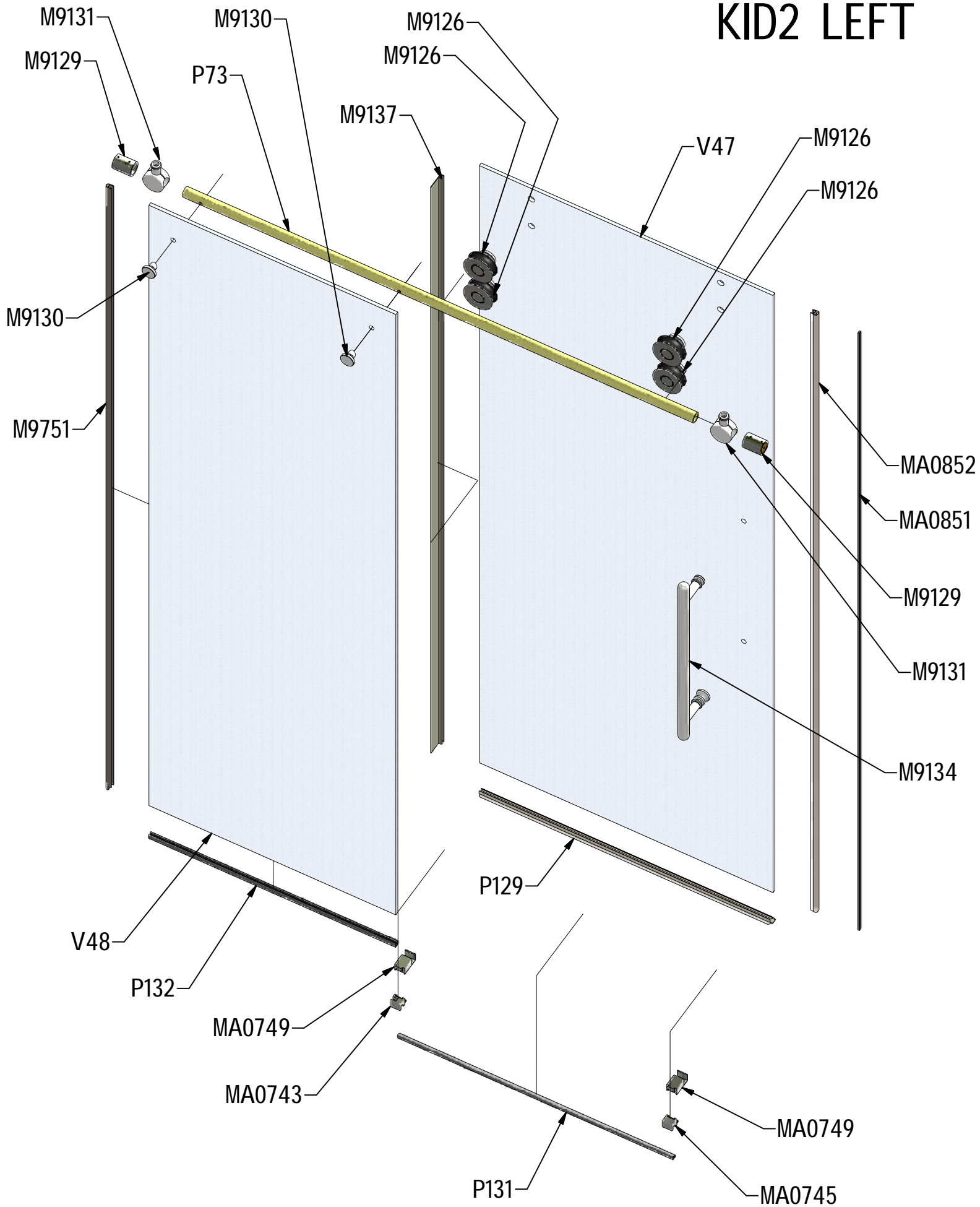




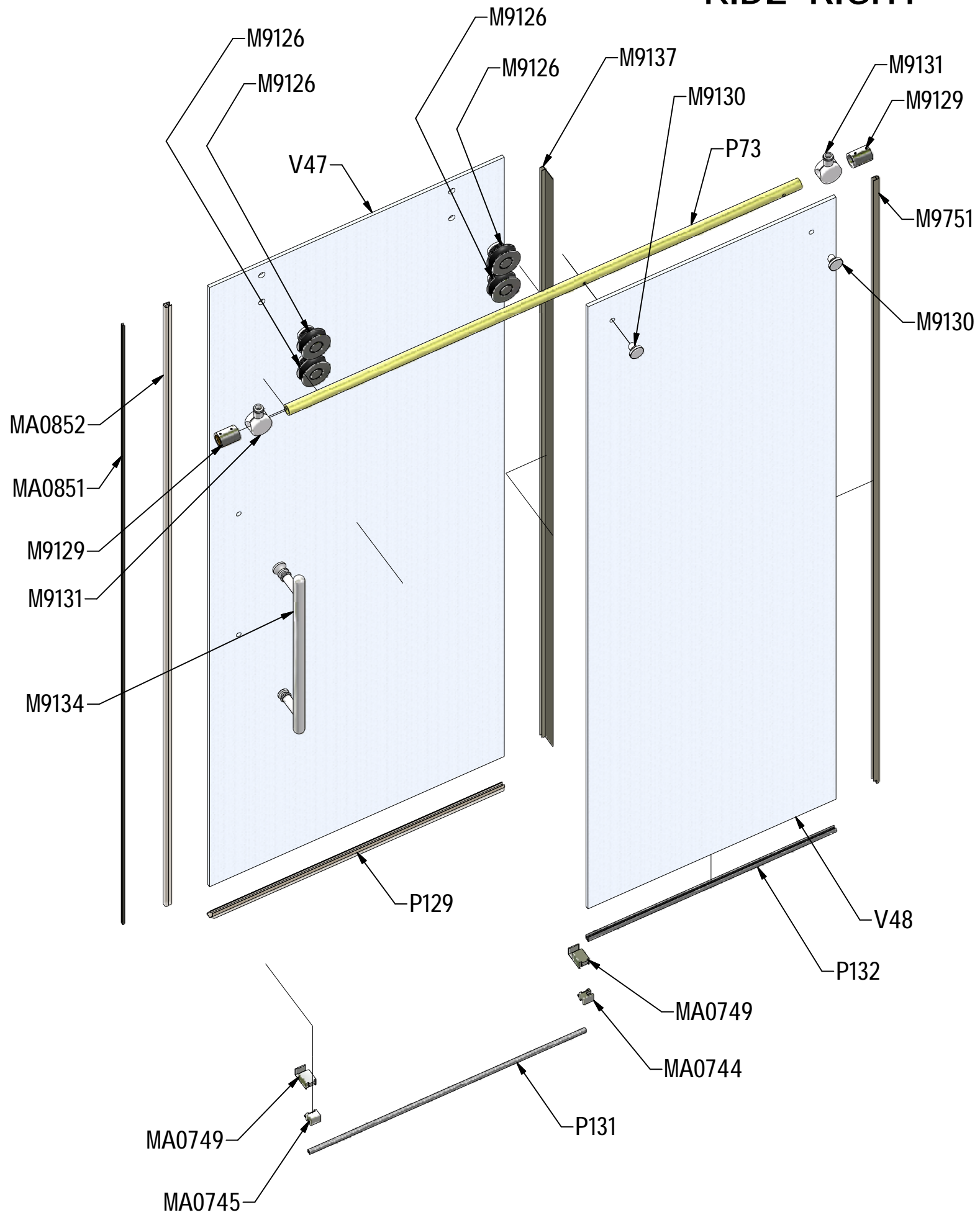




KID2 LEFT



KID2 RIGHT



P73	1300		P2845
	1500		P2842
	1800		P2843
	2000		P2844

P129			ND01-2818
------	--	--	-----------

P131	1300		ND01-2974
	1500		ND01-2974
	1800		ND01-2974
	2000		ND01-2975

P132	1300		P2980
	1500		P2981
	1800		P2982
	2000		P2729

V47	1300	clear glass	ND02-0584-00-02
	1500	clear glass	ND02-0544-00-02
1800	clear glass	ND02-0545-00-02	
2000	clear glass	ND02-0546-00-02	
V48	1300	clear glass	ND03-0440-00-02
	1500	clear glass	ND03-0397-00-02
1800	clear glass	ND03-0398-00-02	
2000	clear glass	ND03-0399-00-02	