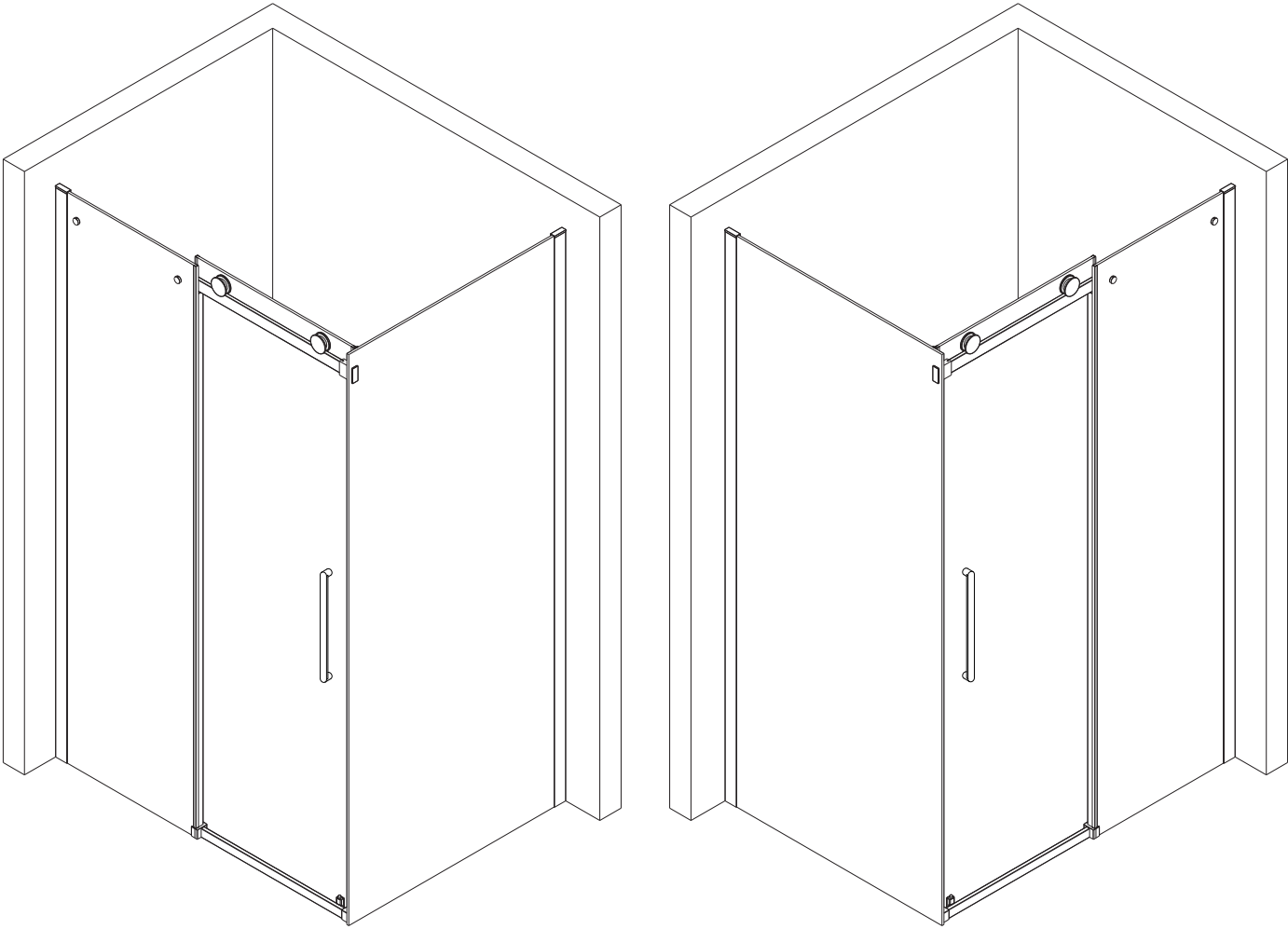
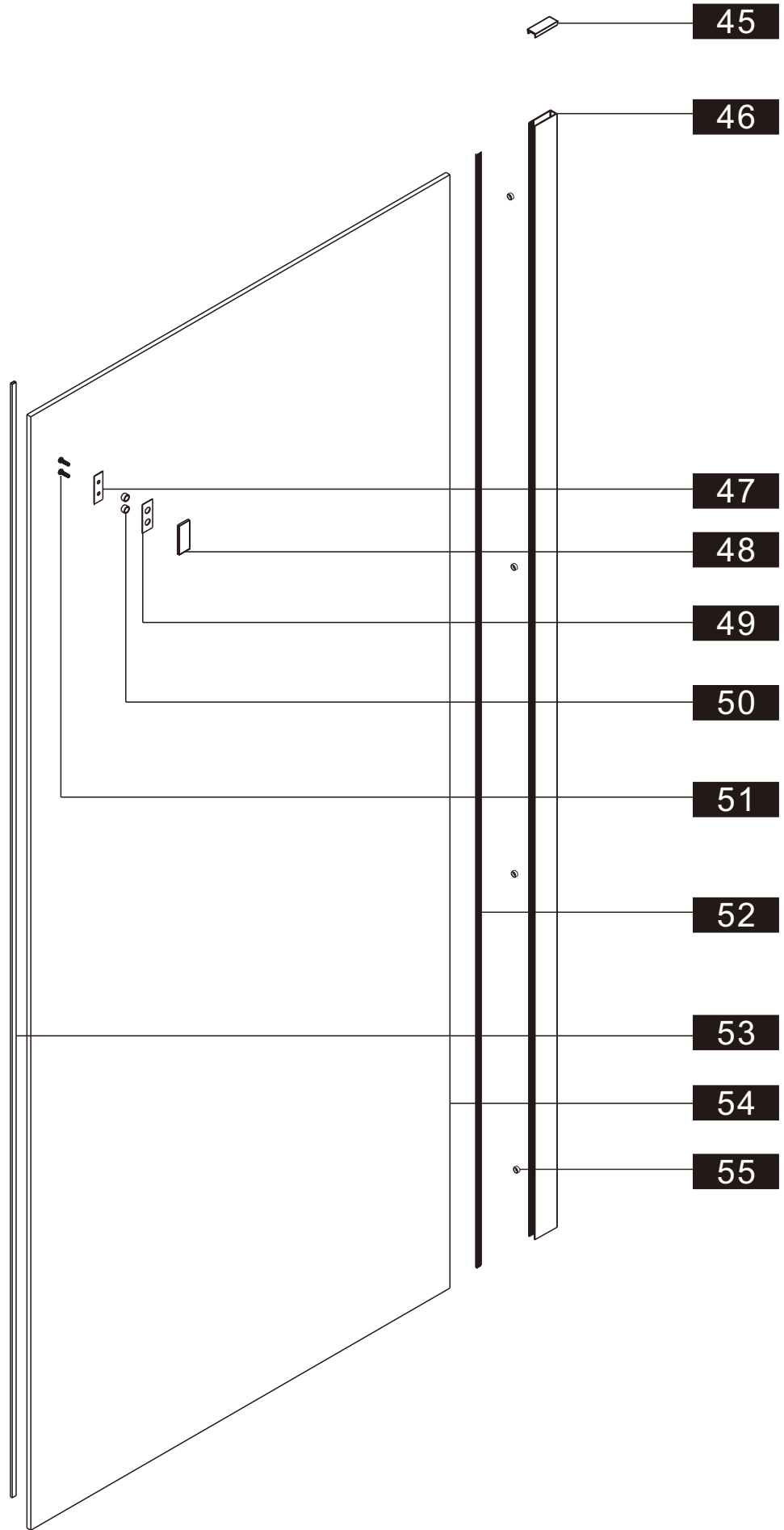
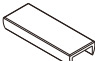

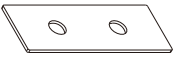
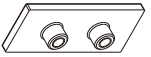









OBZB

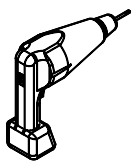




Parts List

Part Number	Image	Size(mm)	Quantity	Checked
45			1	
46			1	
47			1	
48			1	
49			1	
50			2	
51		M5X14	2	
52			1	
53			1	
54			1	
55			4	

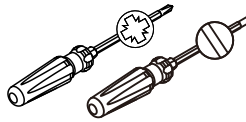
Tools that may be required:



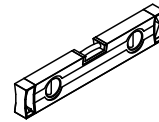
Drill



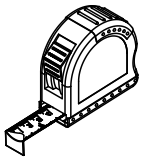
Drill Bit



Screw Driver



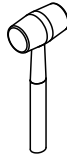
Level



Tape Measure



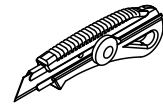
Pencil



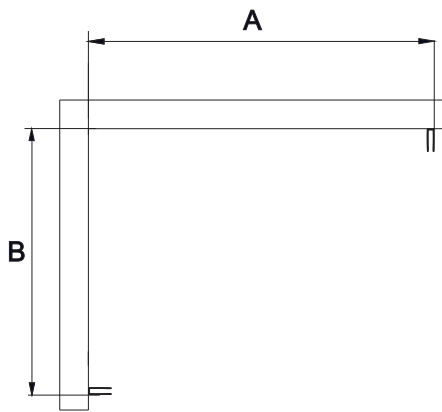
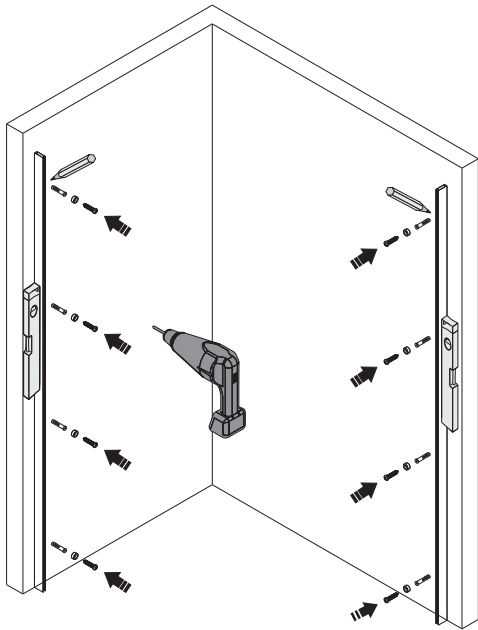
Mallet



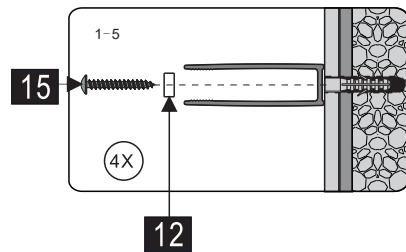
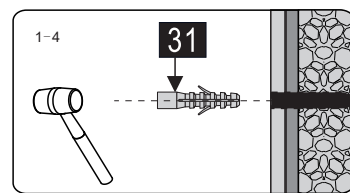
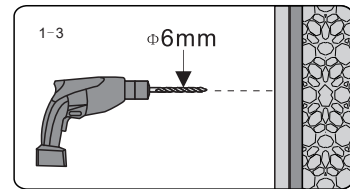
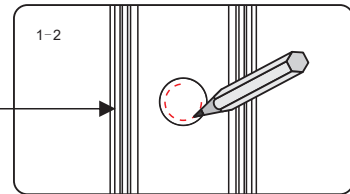
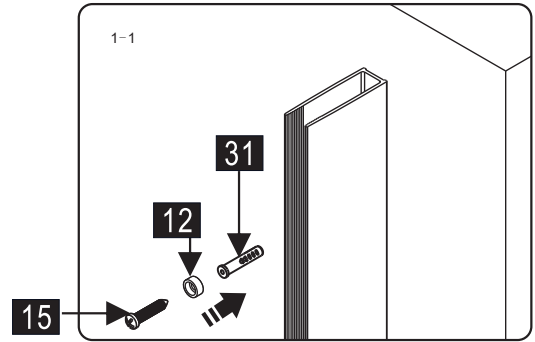
Silicon Gun

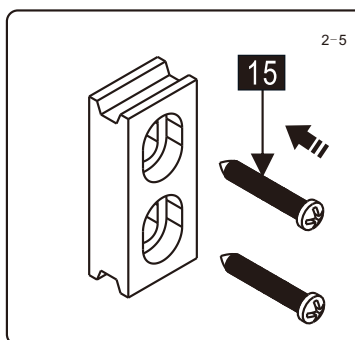
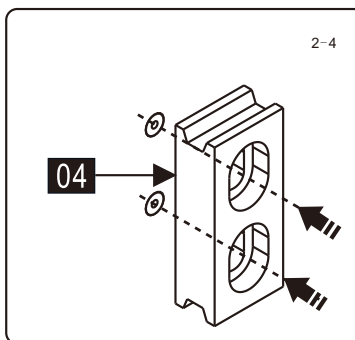
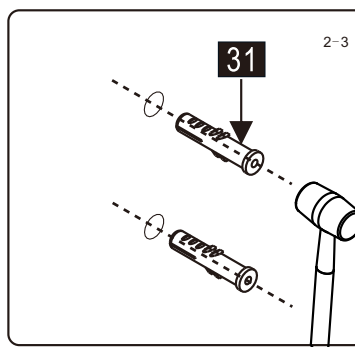
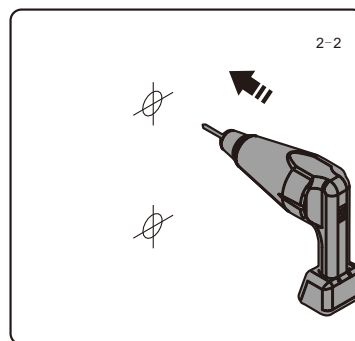
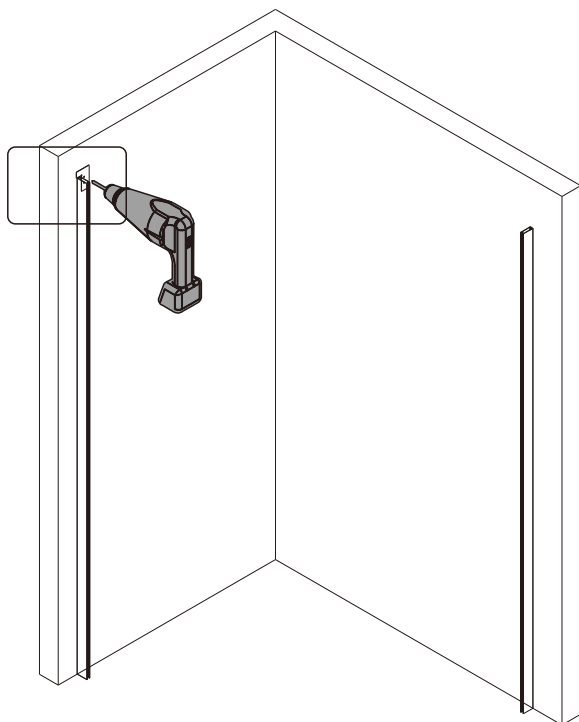
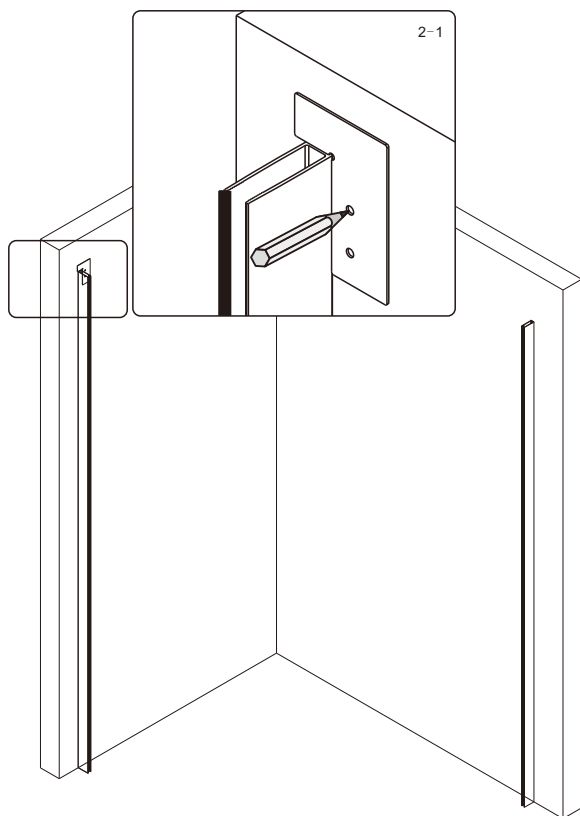


Craft Knife

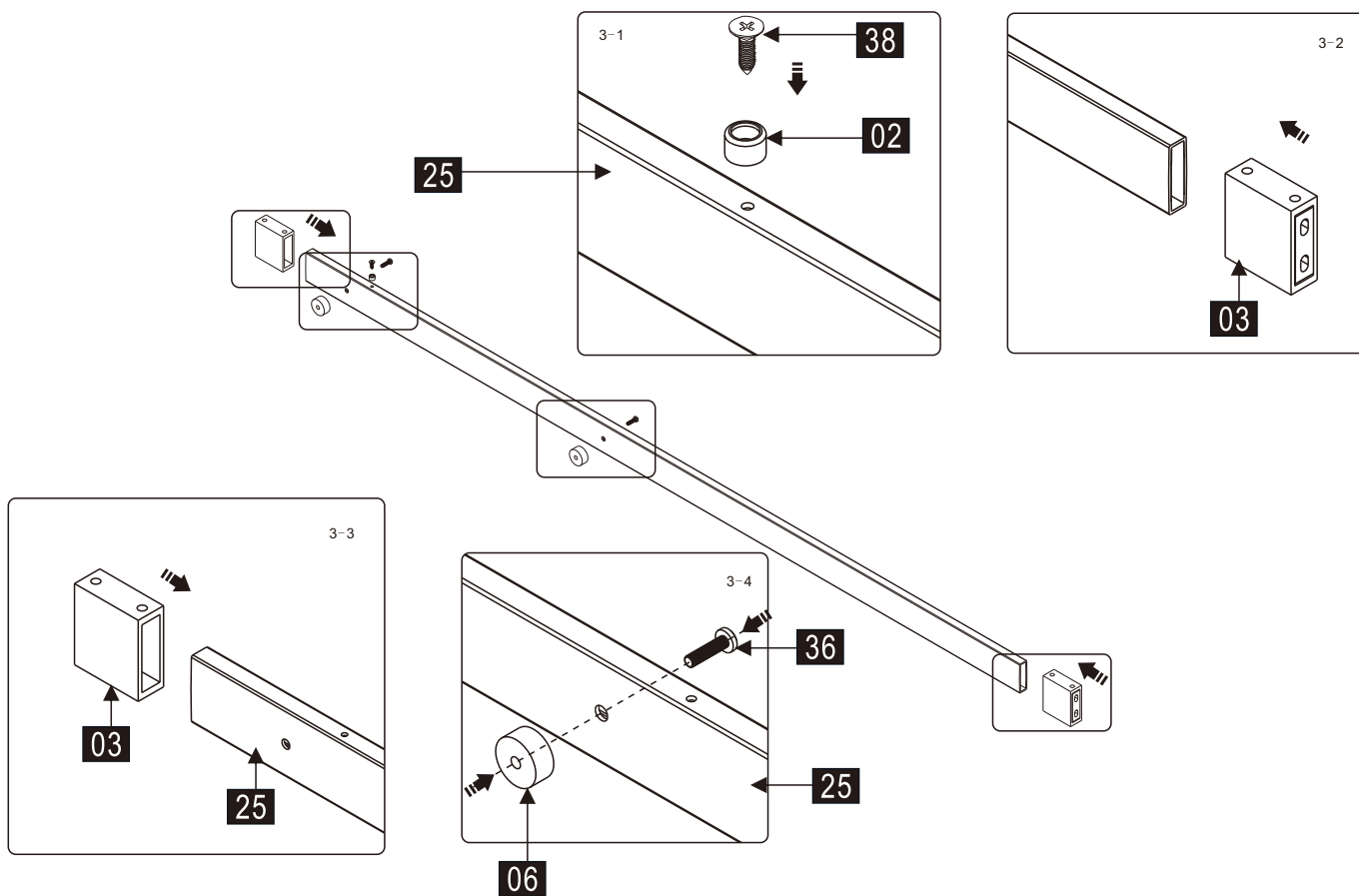


SIZE(mm)	A	B
1200x800	1190-1210	780-800
1200x900	1190-1210	880-900
1400x800	1390-1410	780-800
1400x900	1390-1410	880-900

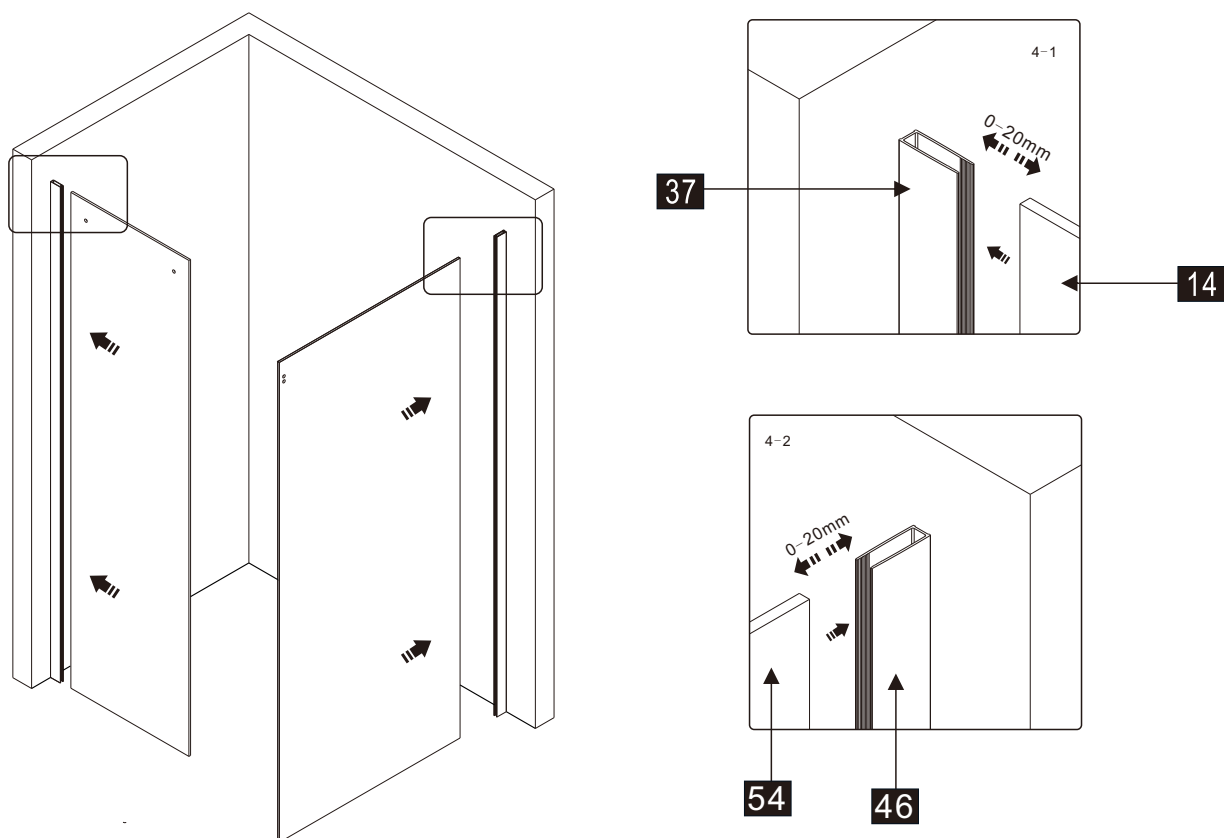


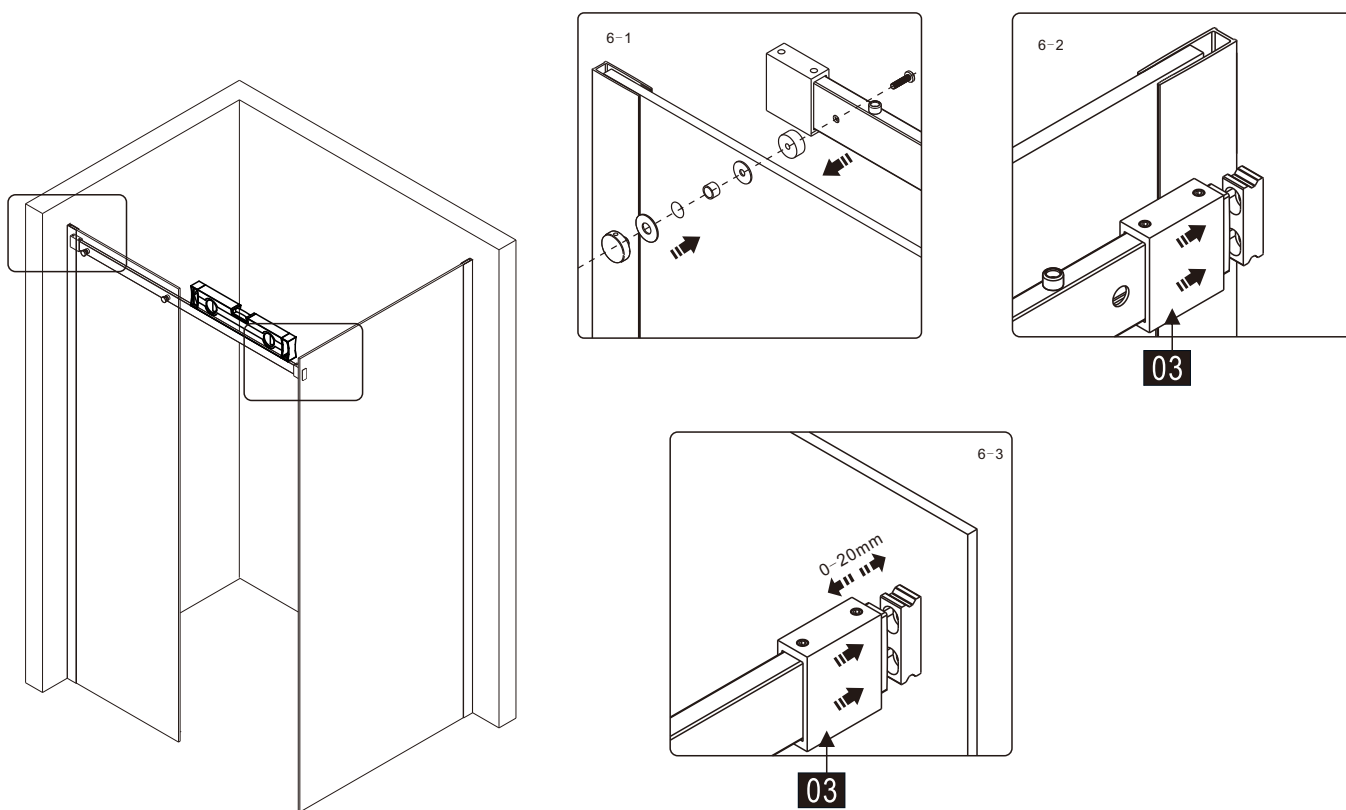
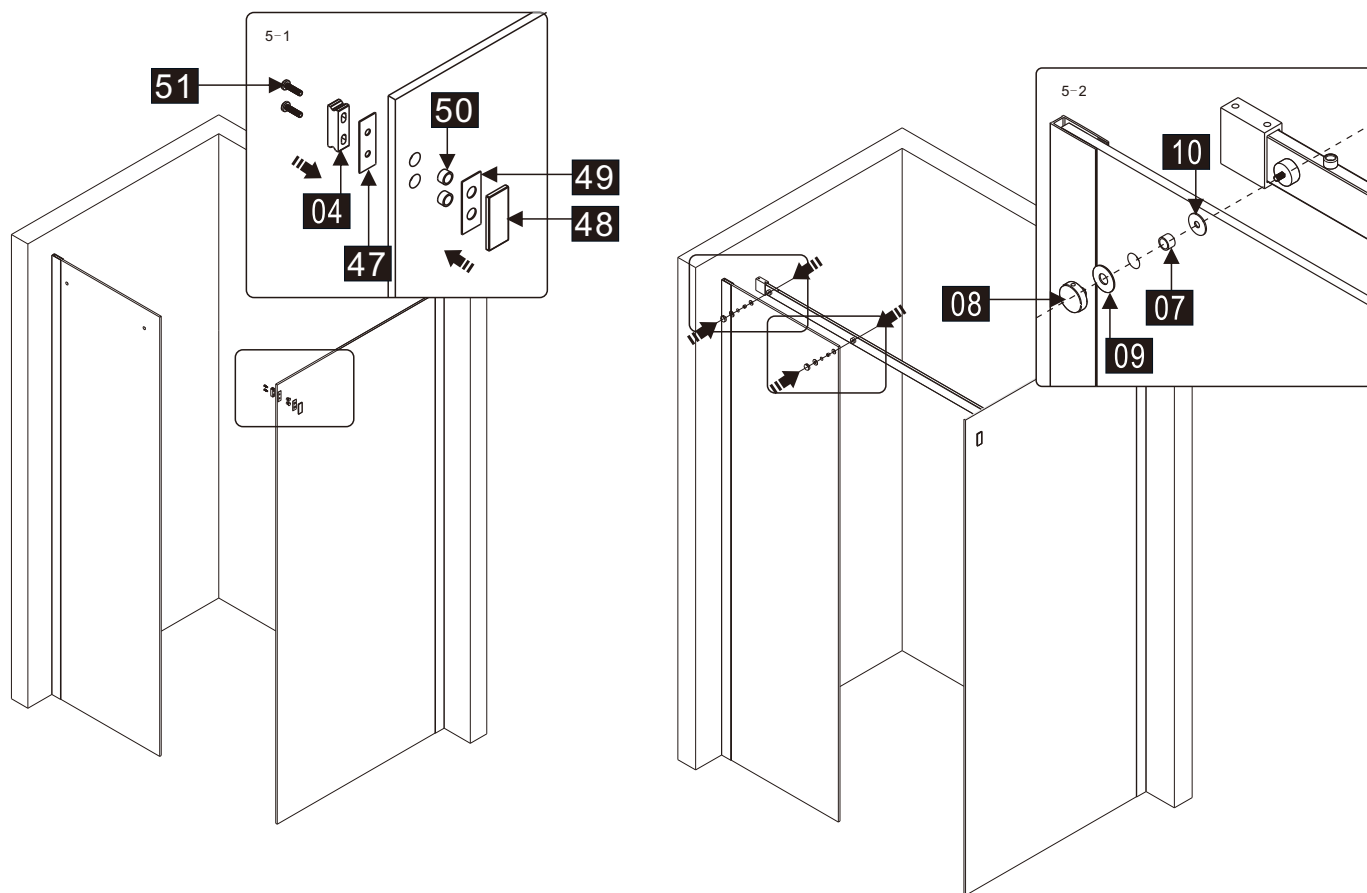


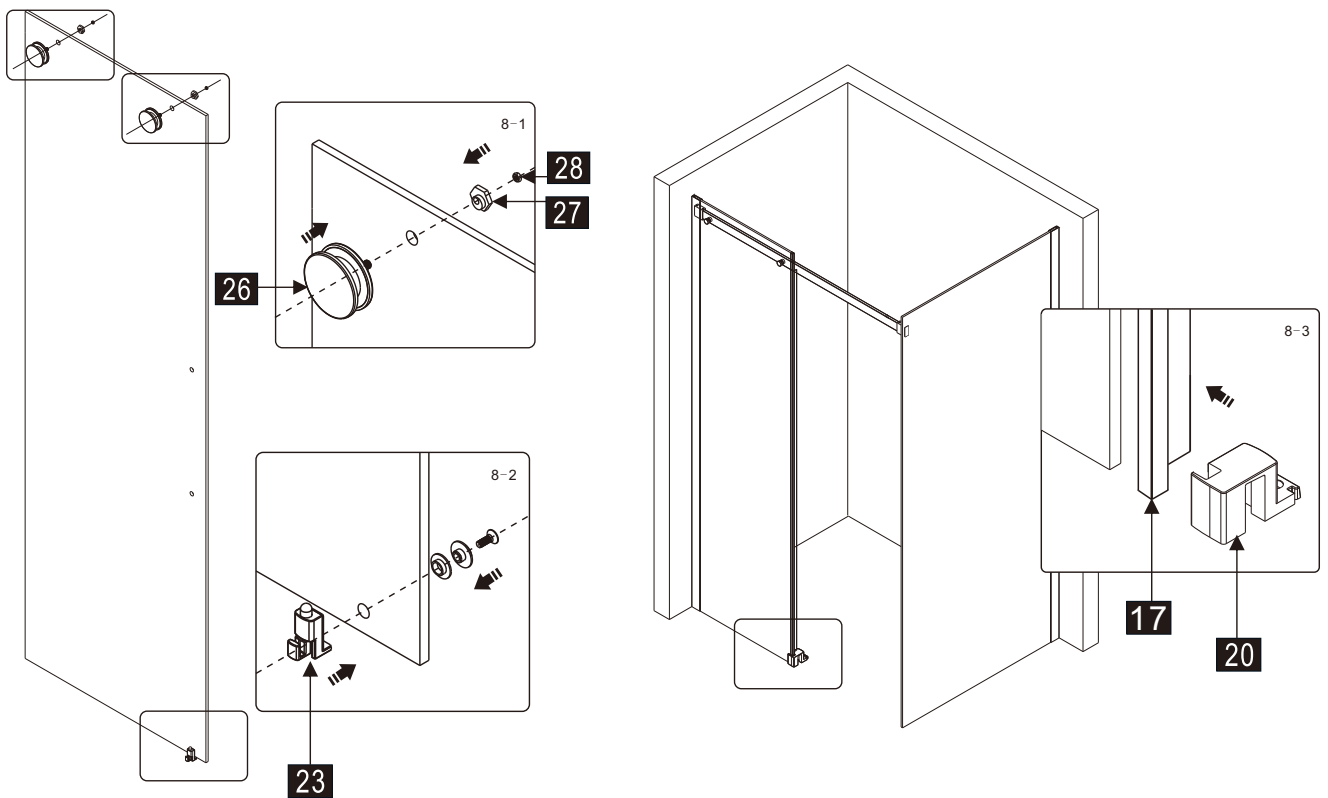
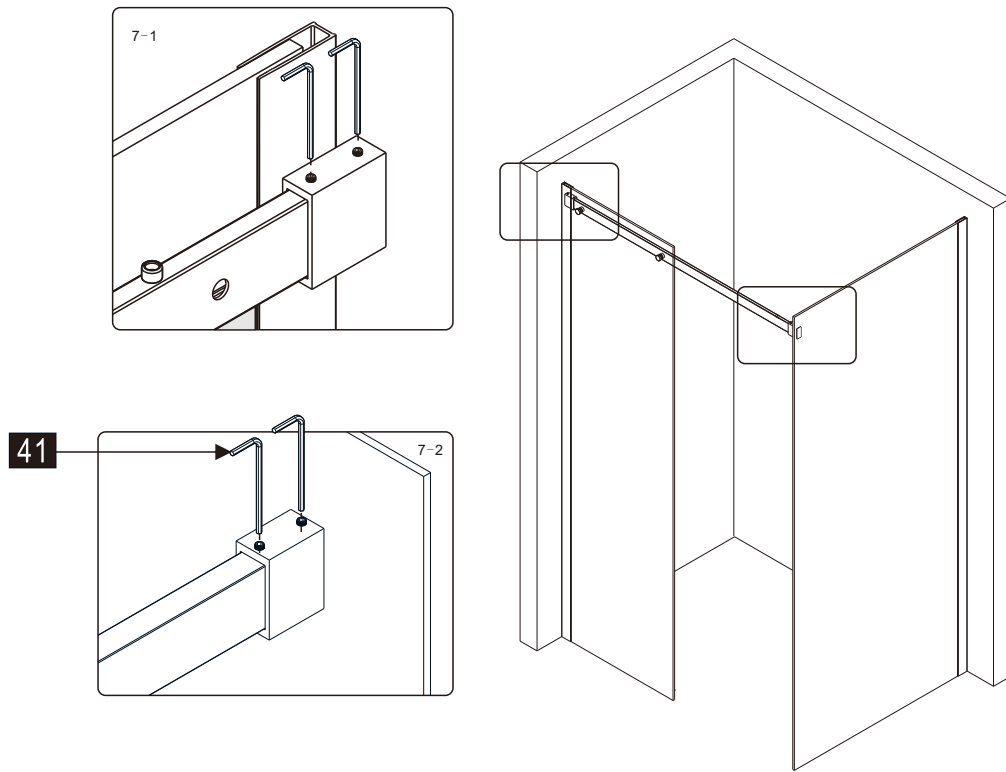
3

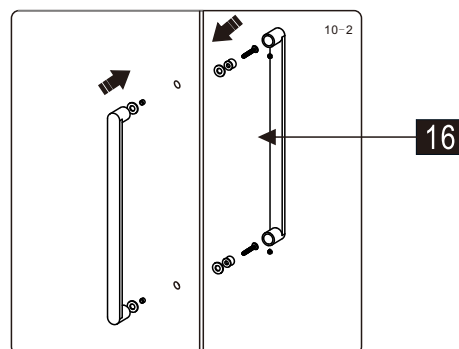
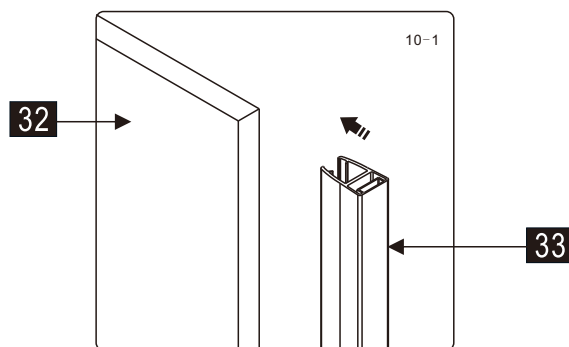
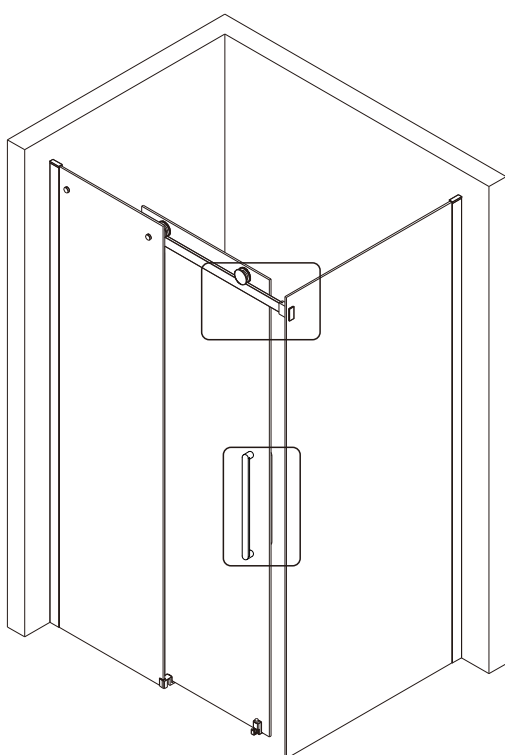
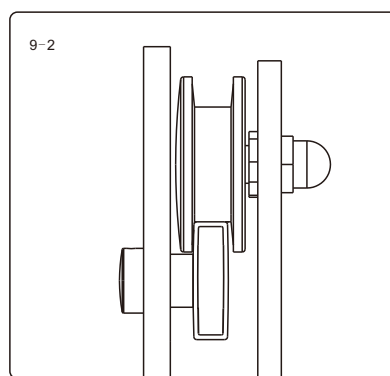
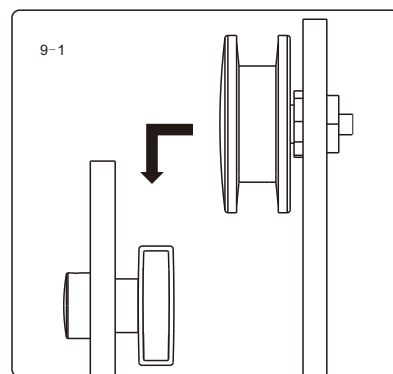
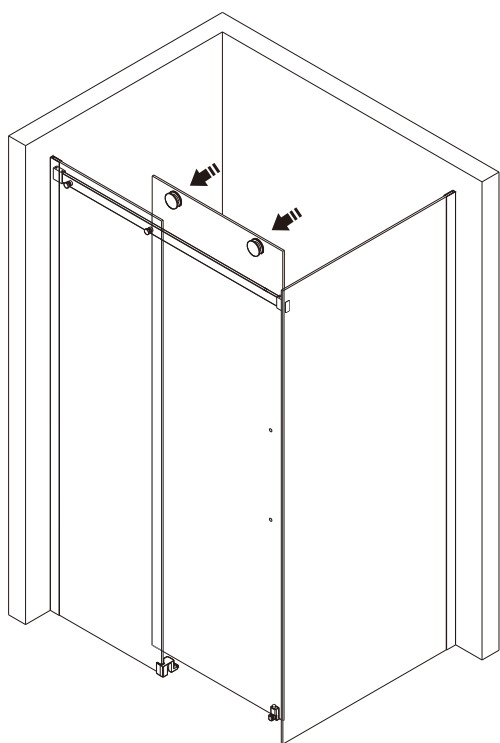


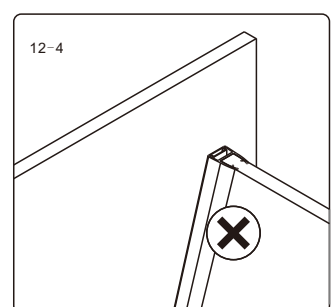
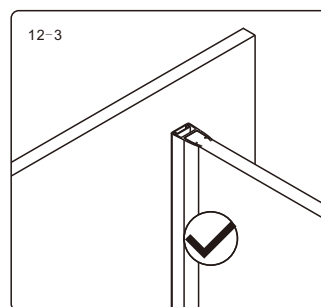
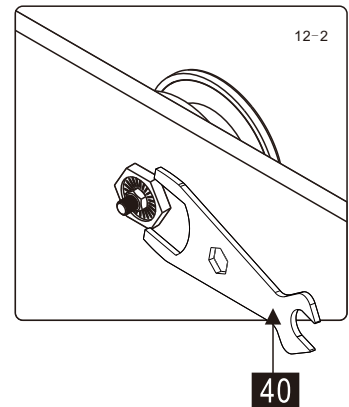
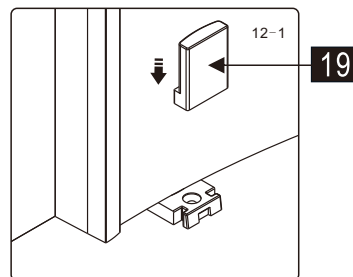
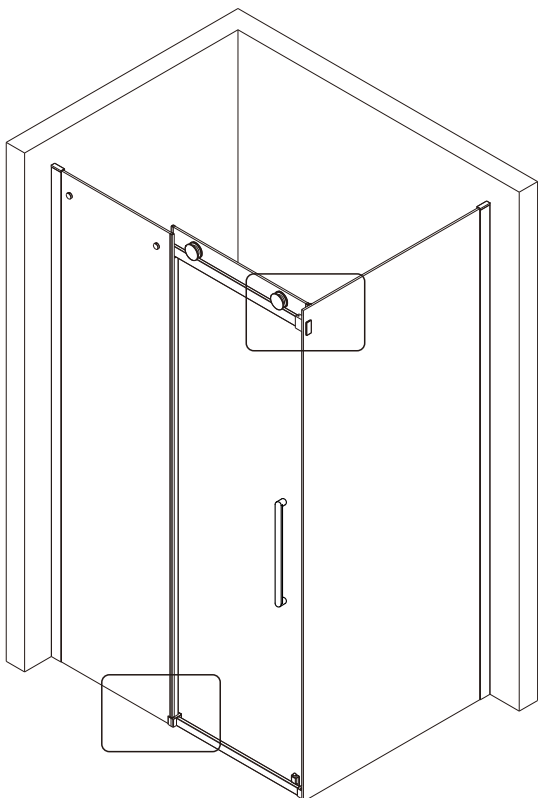
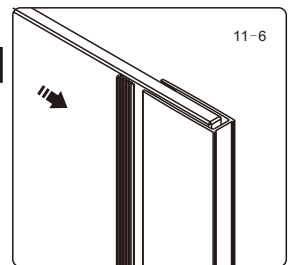
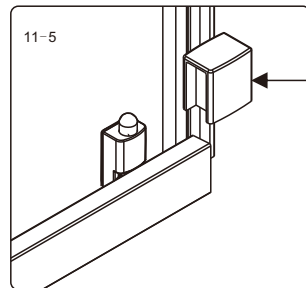
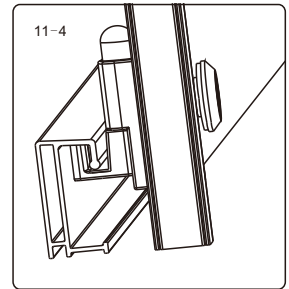
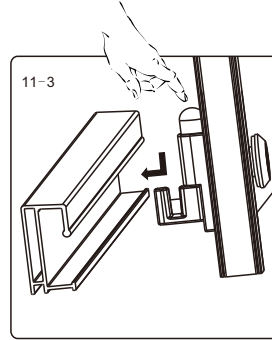
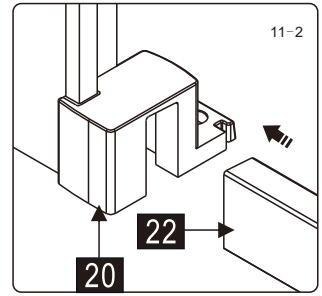
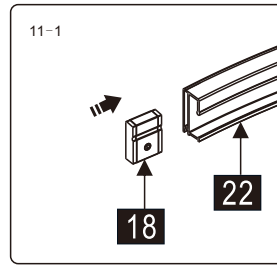
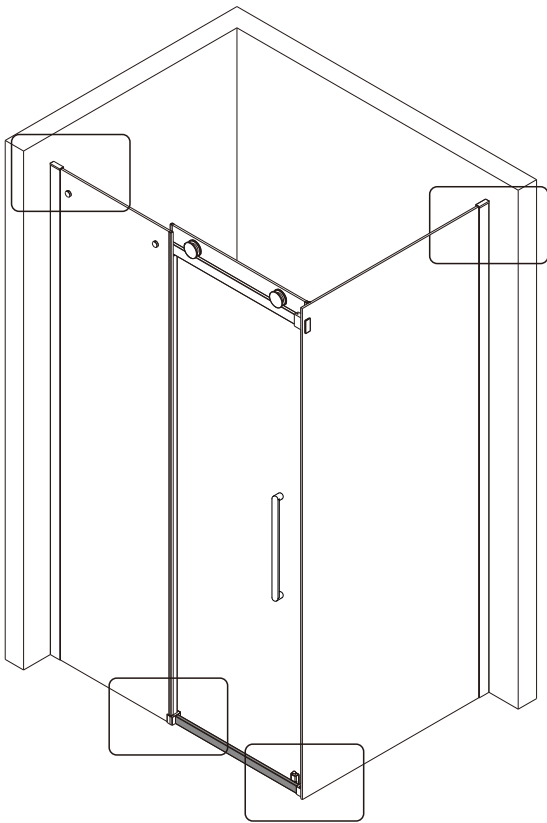
4

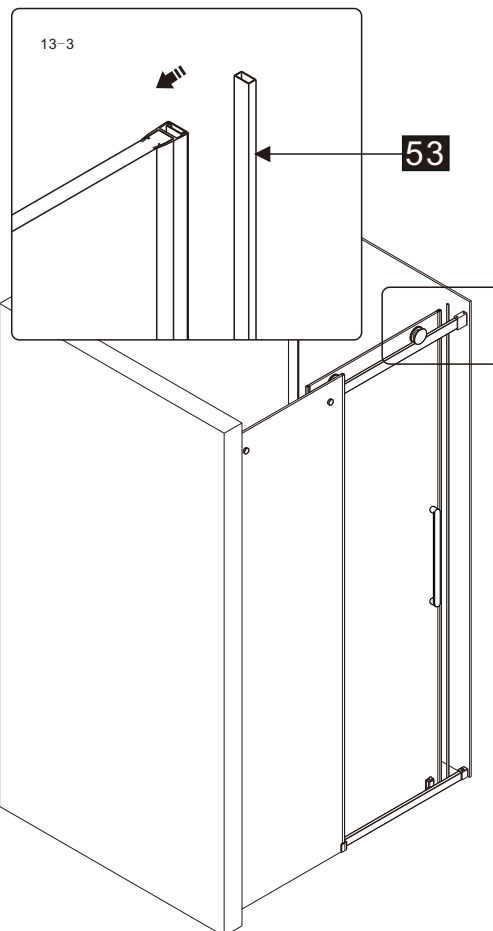
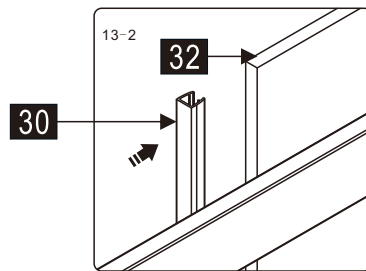
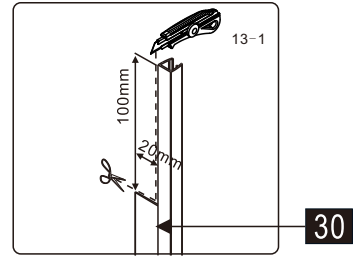
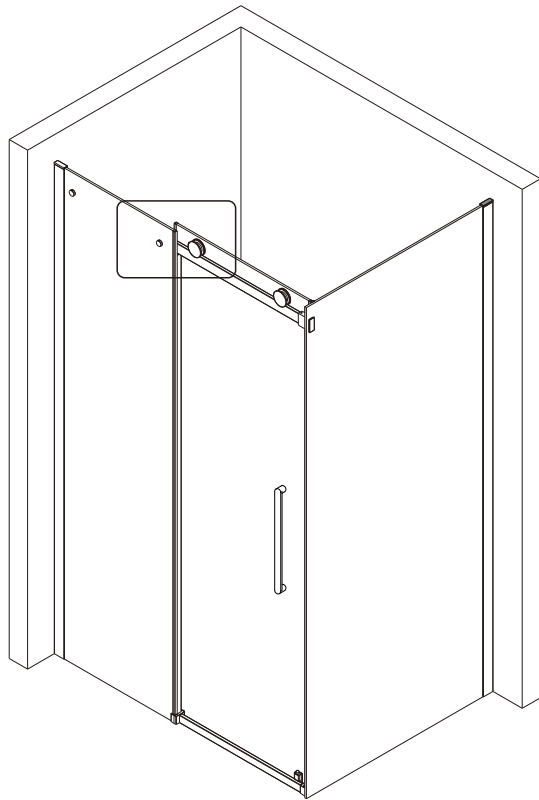


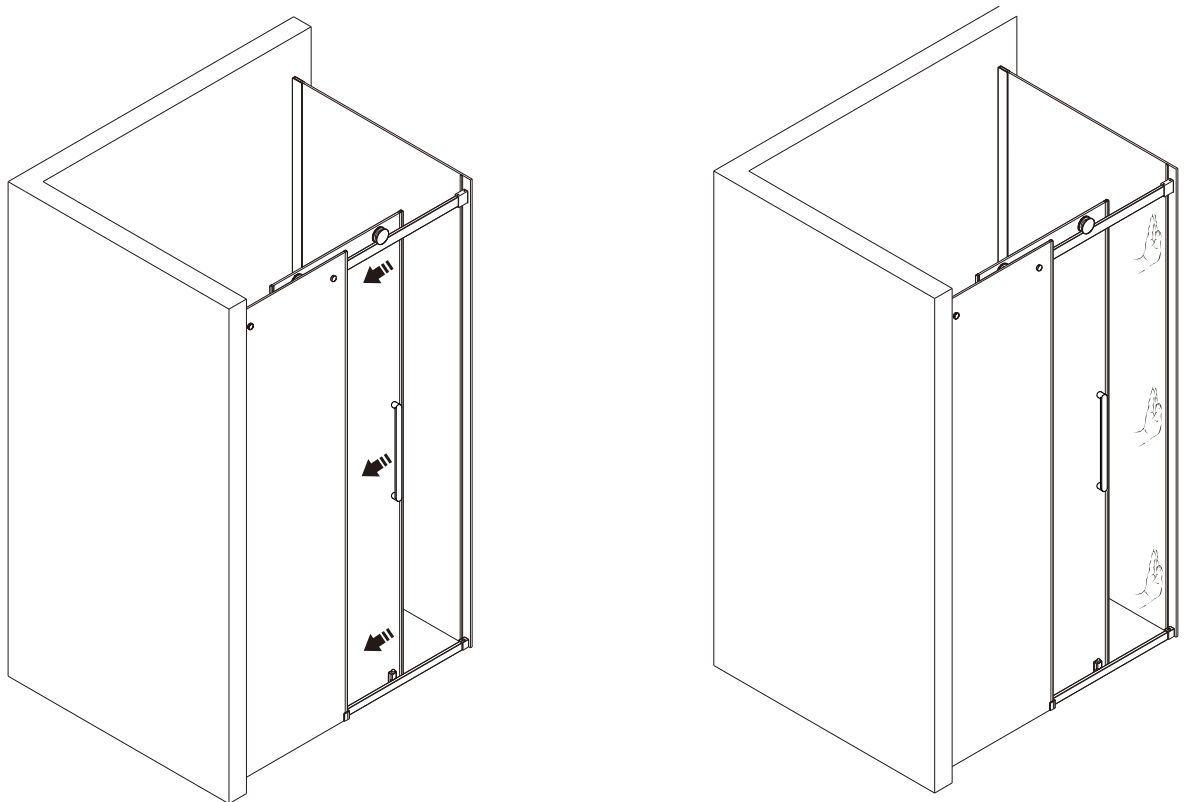
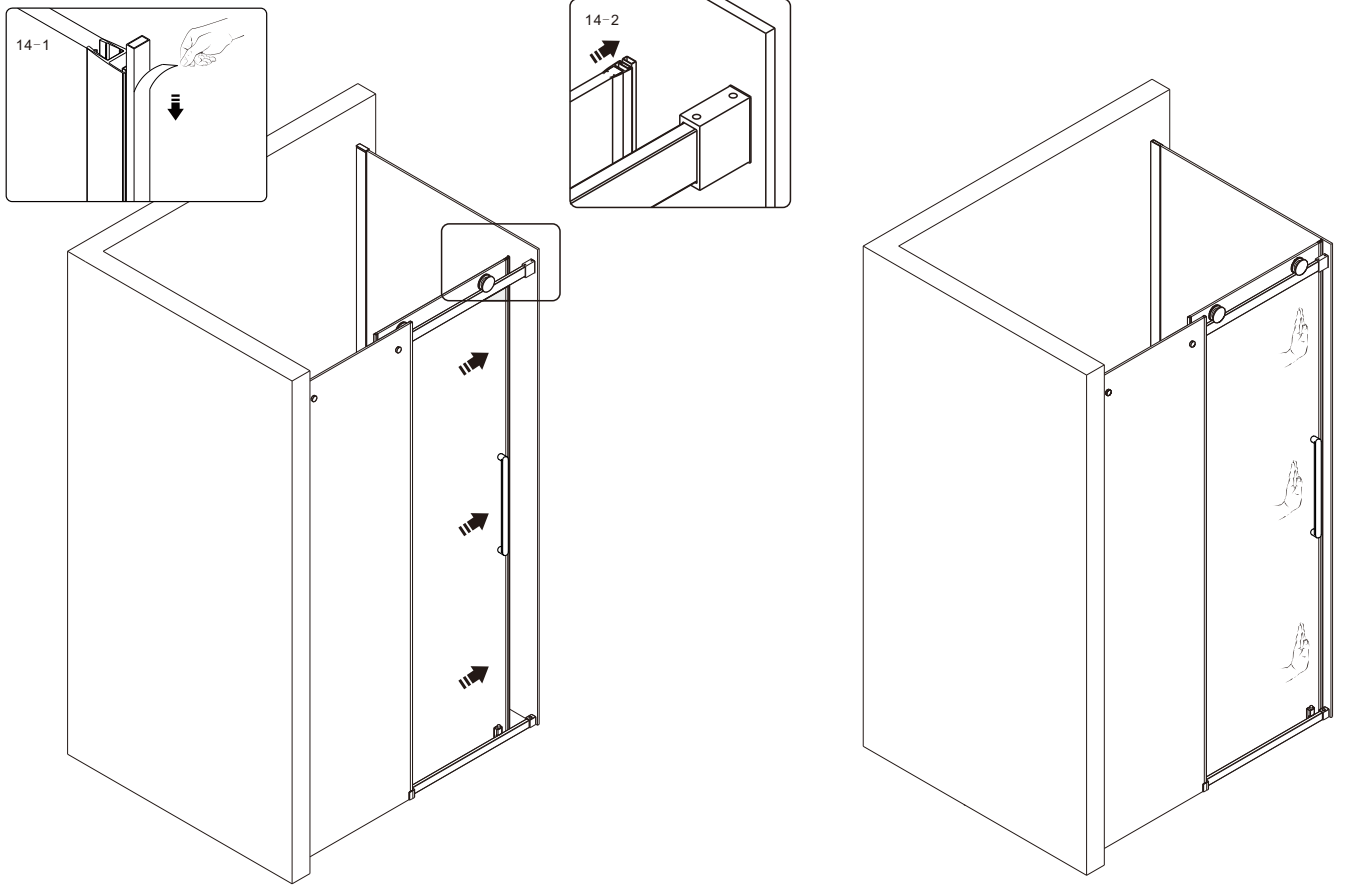


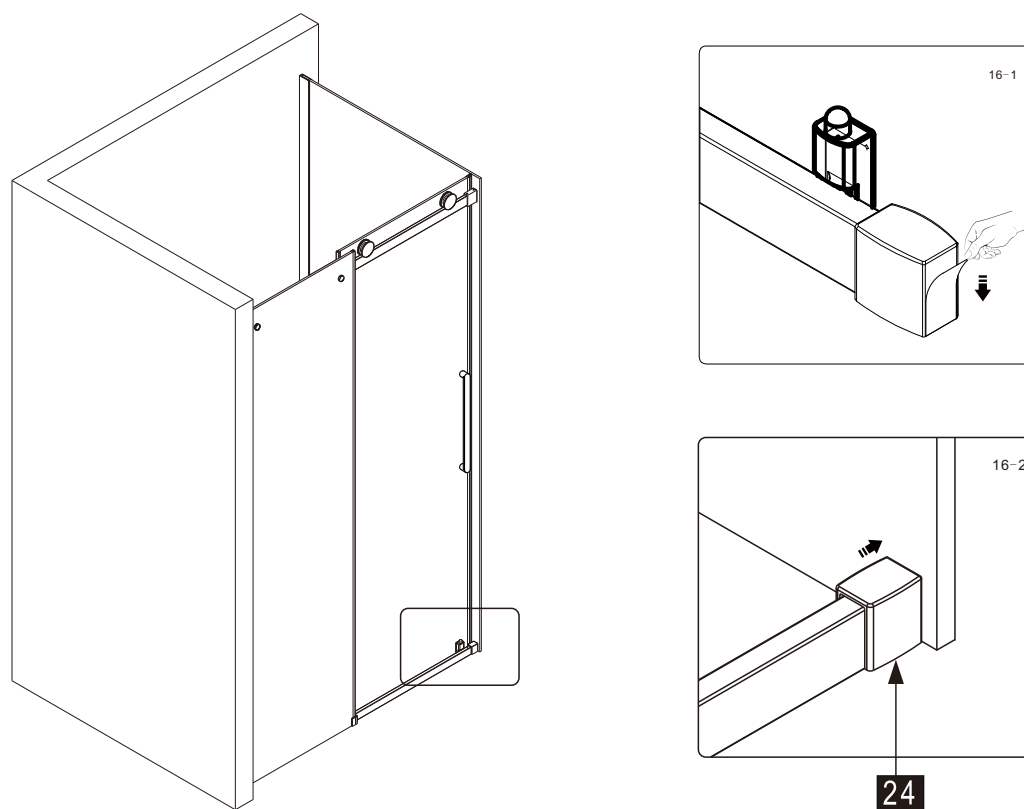
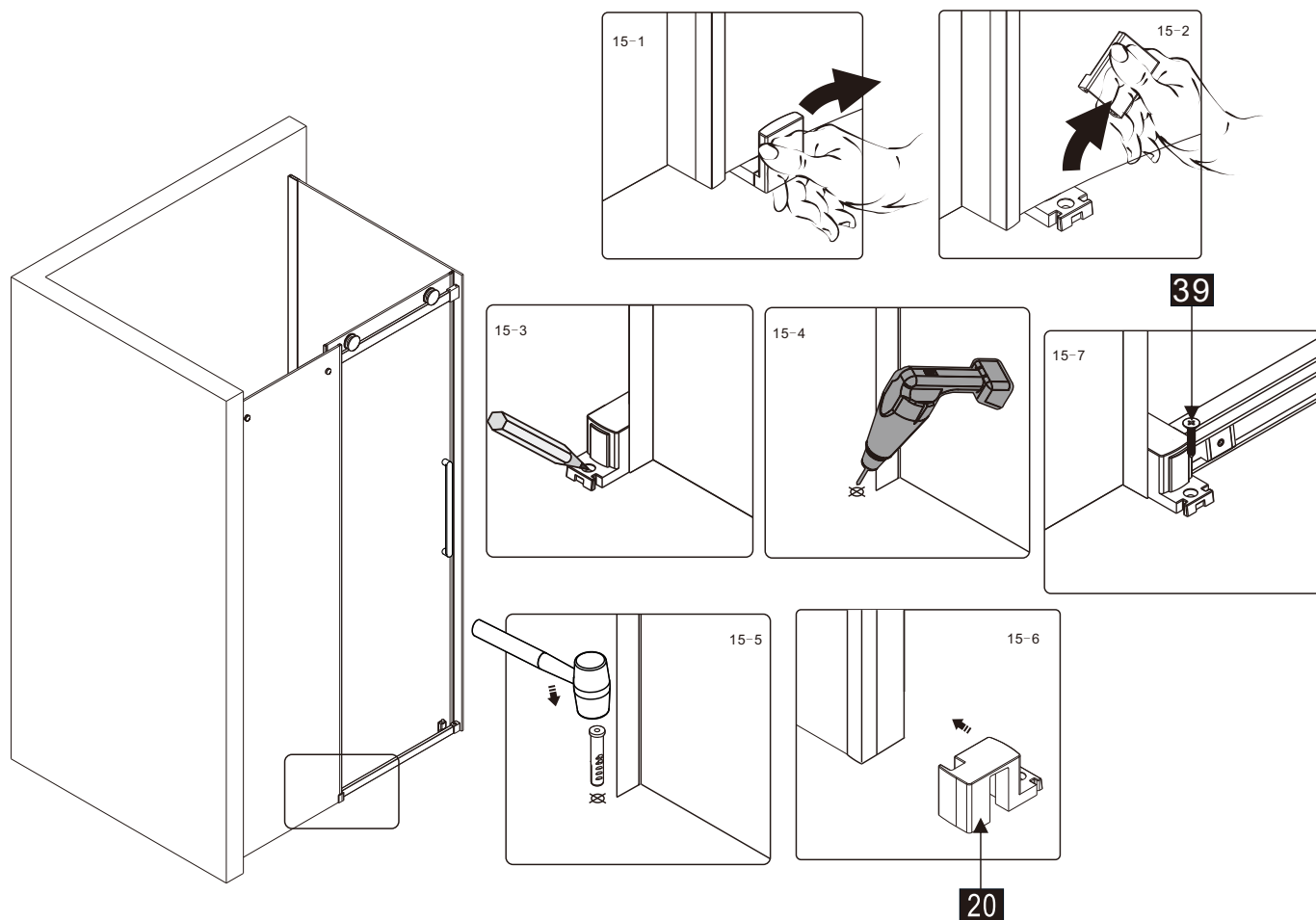


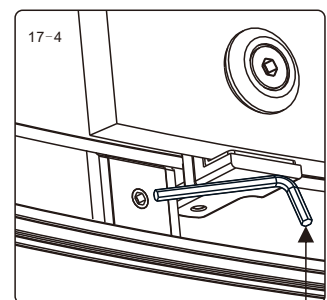
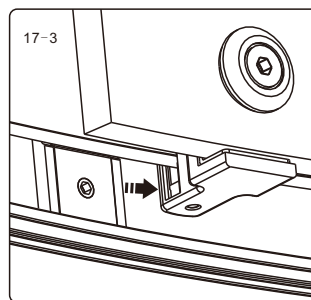
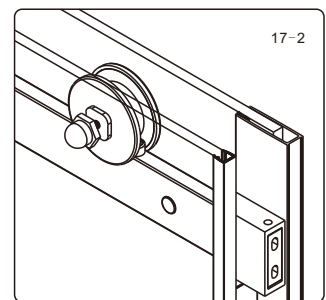
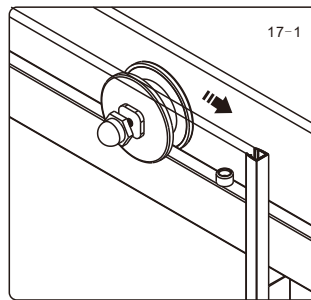
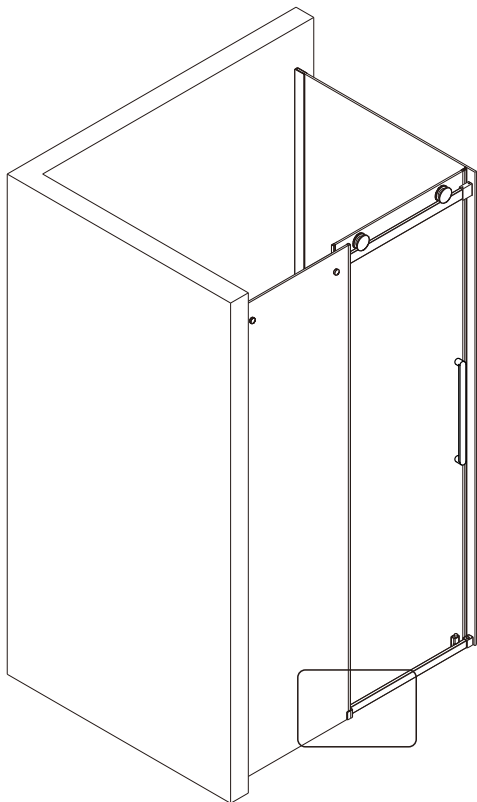




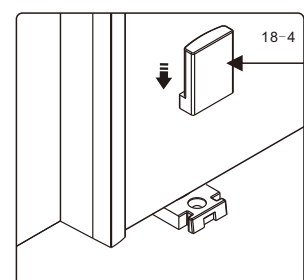
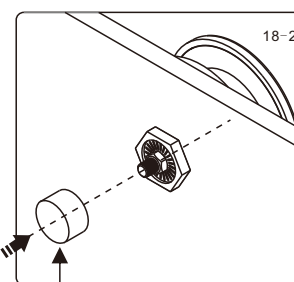
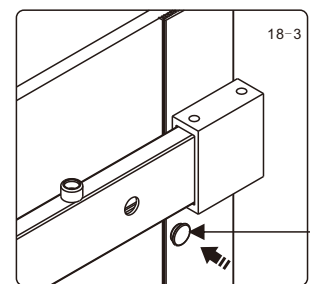
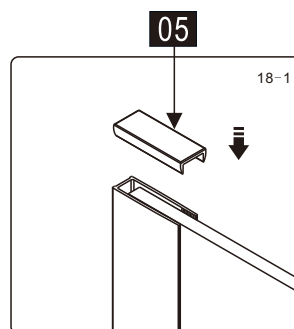
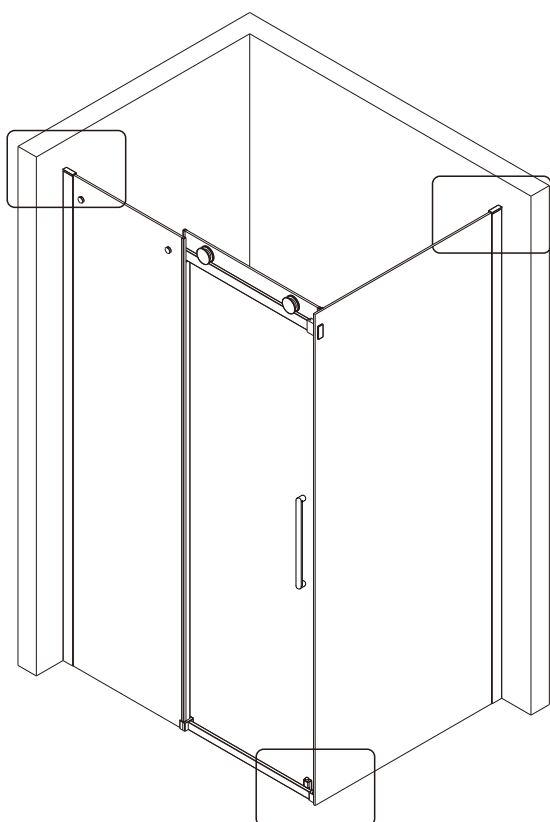


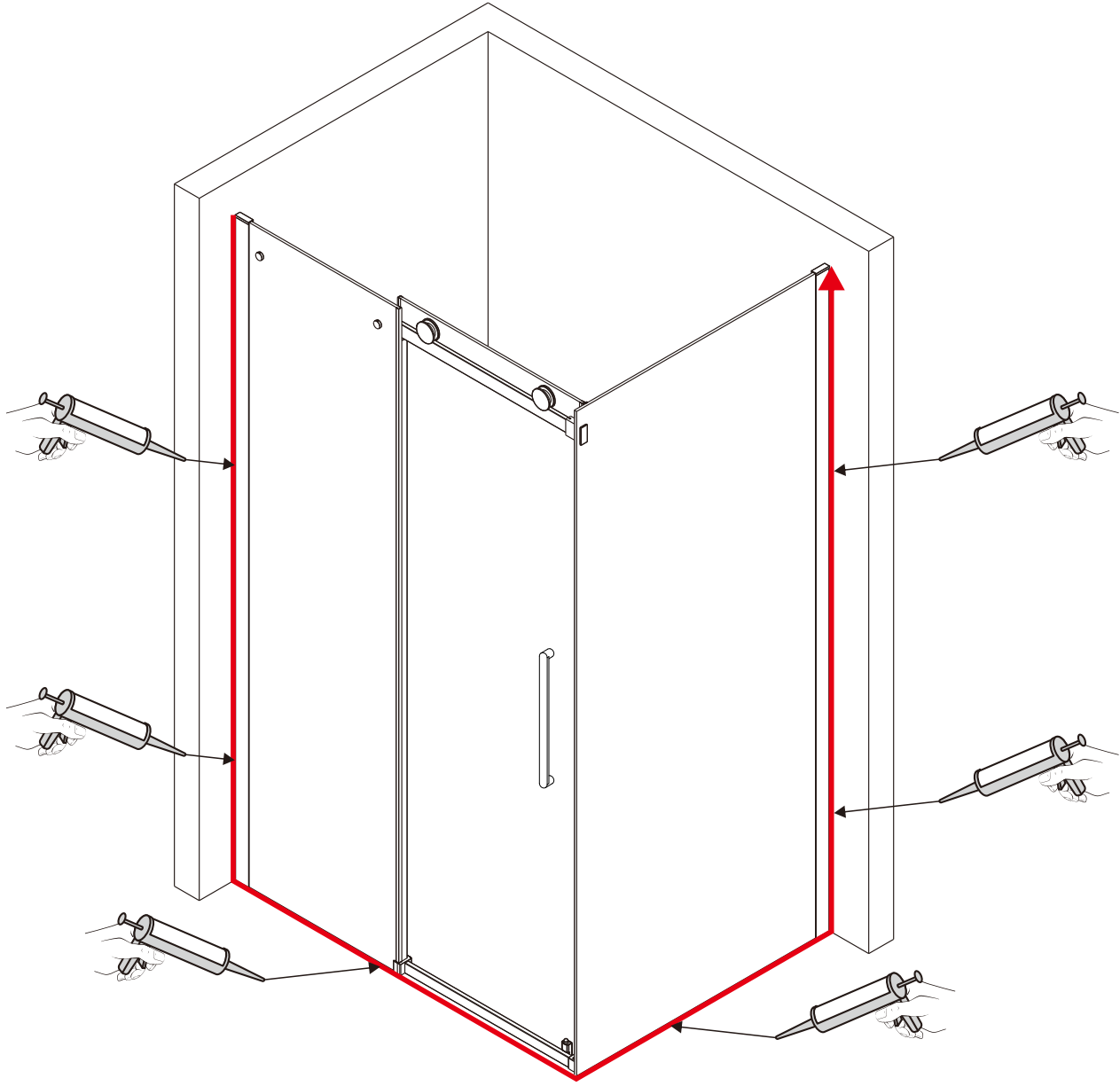
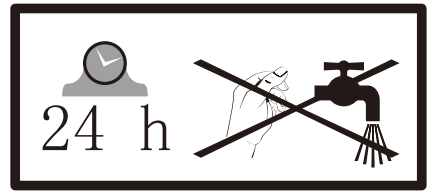


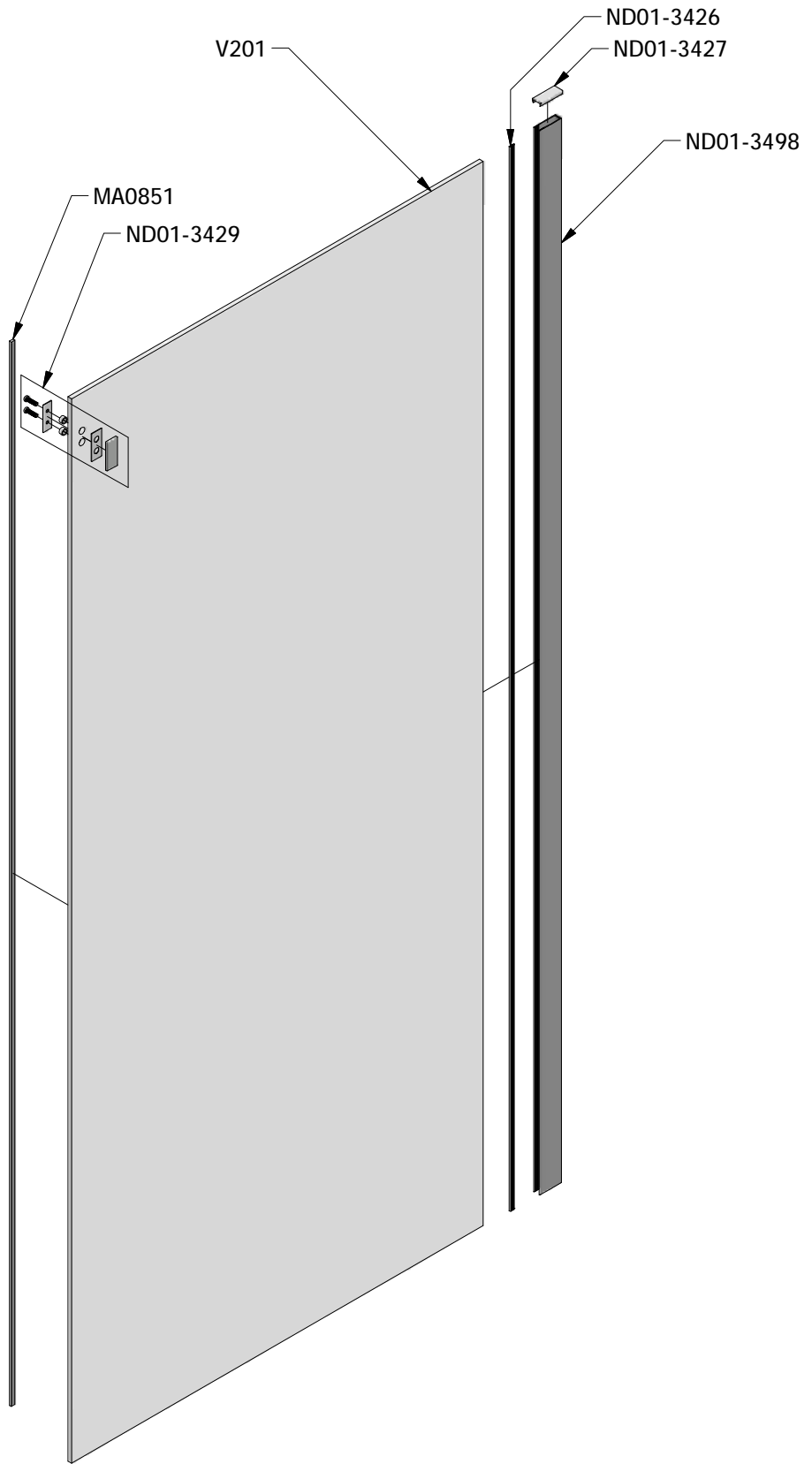




41







V201	800	brillant/transparent	MA6941
	900		MA6940