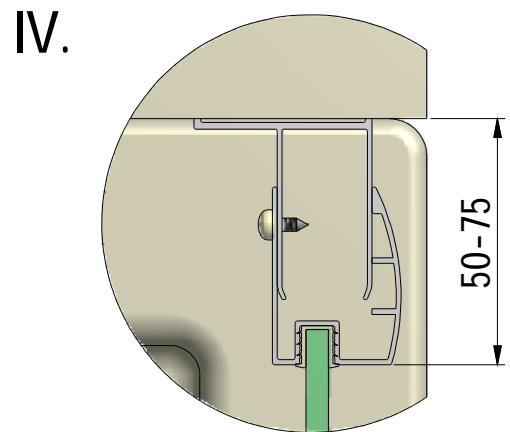
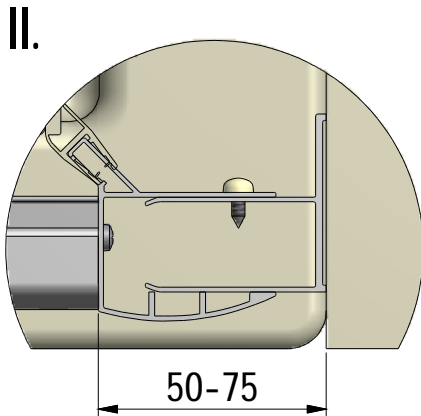
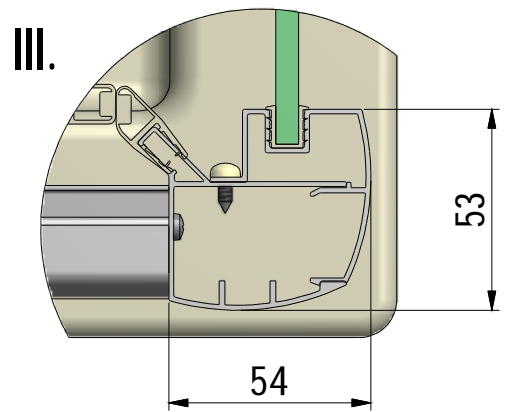
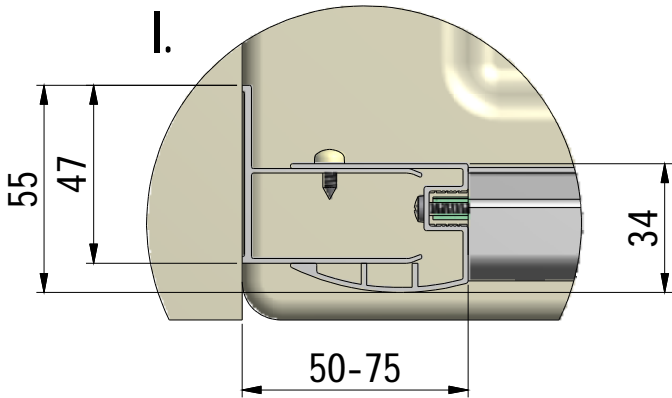
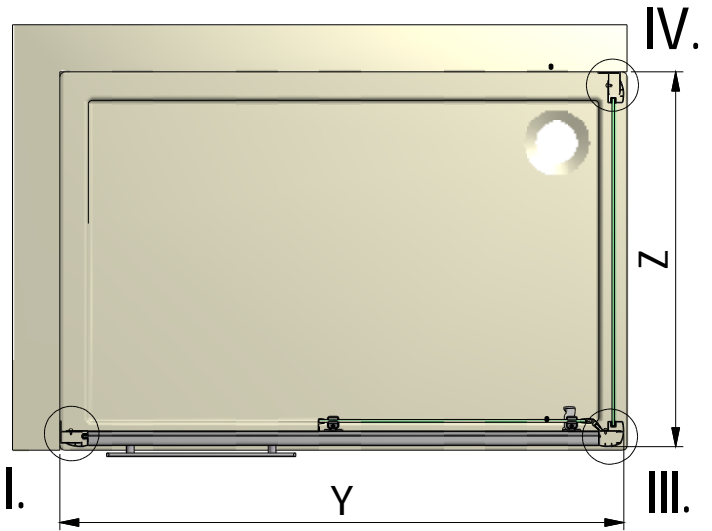
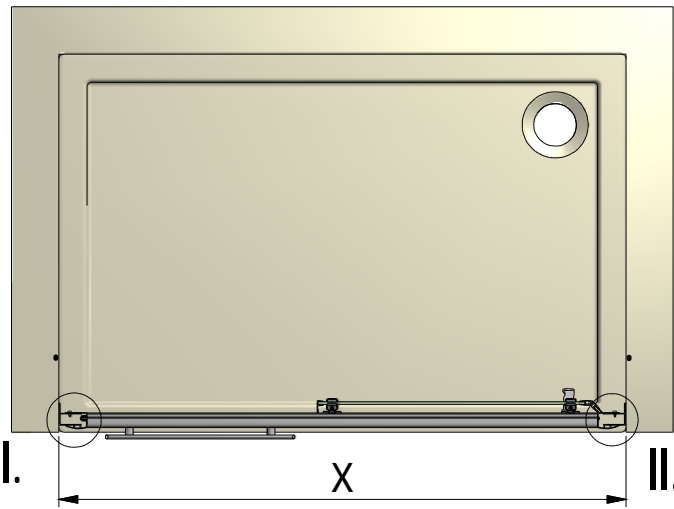


PXD2N



PXD2N

PXD2N+PXBN



.	PXD2N			
	X MIN(mm)	X MAX(mm)	Y MIN(mm)	Y MAX(mm)
1200	1180	1230	1185	1210
1300	1280	1330	1285	1310
1400	1380	1430	1385	1410
1500	1480	1530	1485	1510
1600	1580	1630	1585	1610

.	PXBN	
	Z MIN(mm)	Z MAX(mm)
700	680	705
800	780	805
900	880	905
1000	980	1005

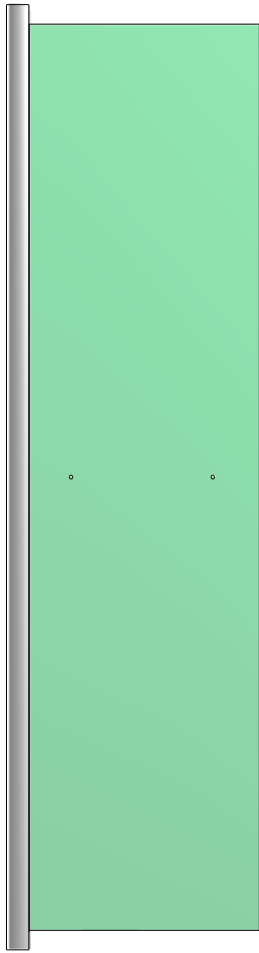
1. 2x
(P2860)



2. 1x
(P2861)



3. 1x
(V152)



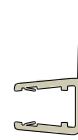
4. 1x



5. 1x
(MA0853)



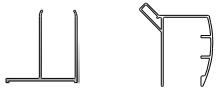
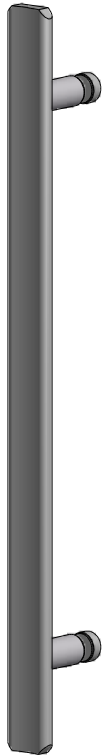
6. 2x
(M9024)



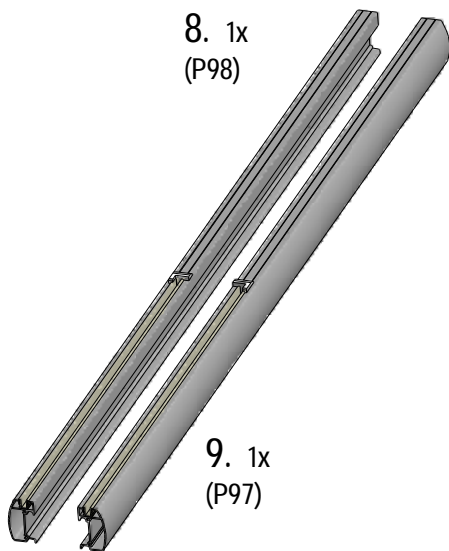
7. 1x
(MA0852)



11. 1x
M9035

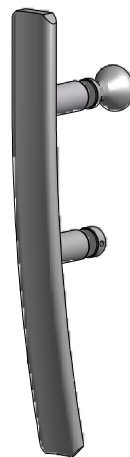


8. 1x
(P98)



9. 1x
(P97)

10. 1x
M8824



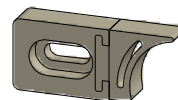
17. 4x
MA4693



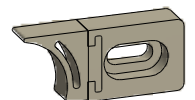
18. 4x
MA4694



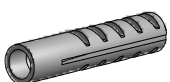
19. 1x
M8906



20. 1x
M8907



12. 6x
M0511
n6



13. 6x
M0795
3,5x38



14. 8x
M0794
3,5x32



15. 8x
M0806
n3,5x9,5



16. 12x
M1907

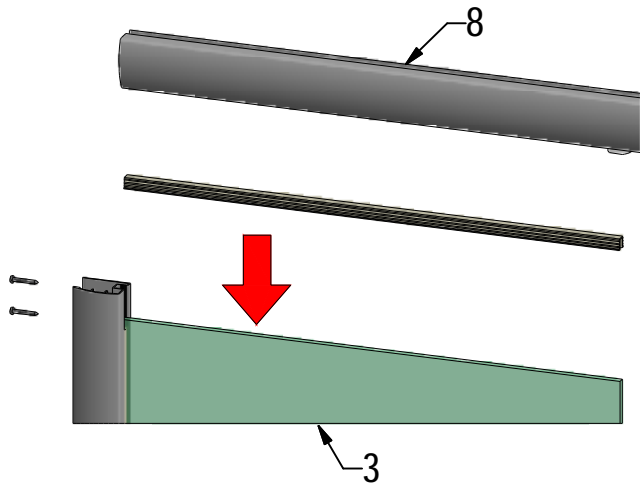


16. 1x
M0838
n2,8

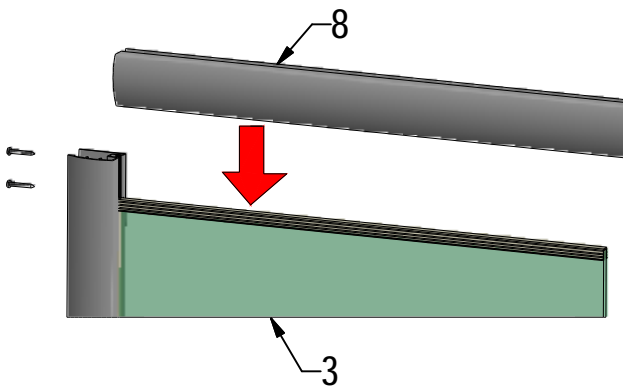


LEFT VARIANT

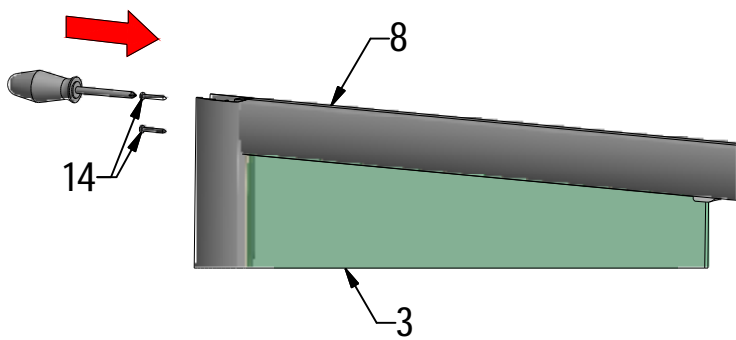
A-1



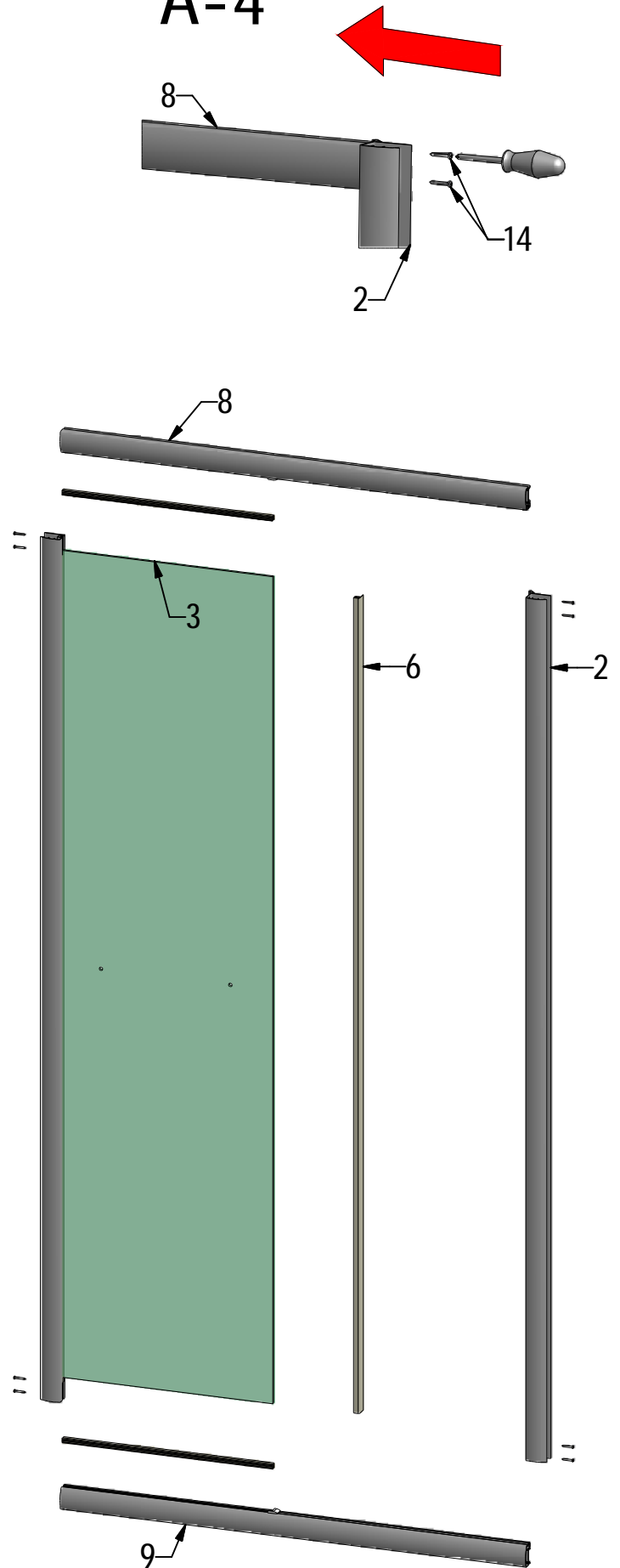
A-2



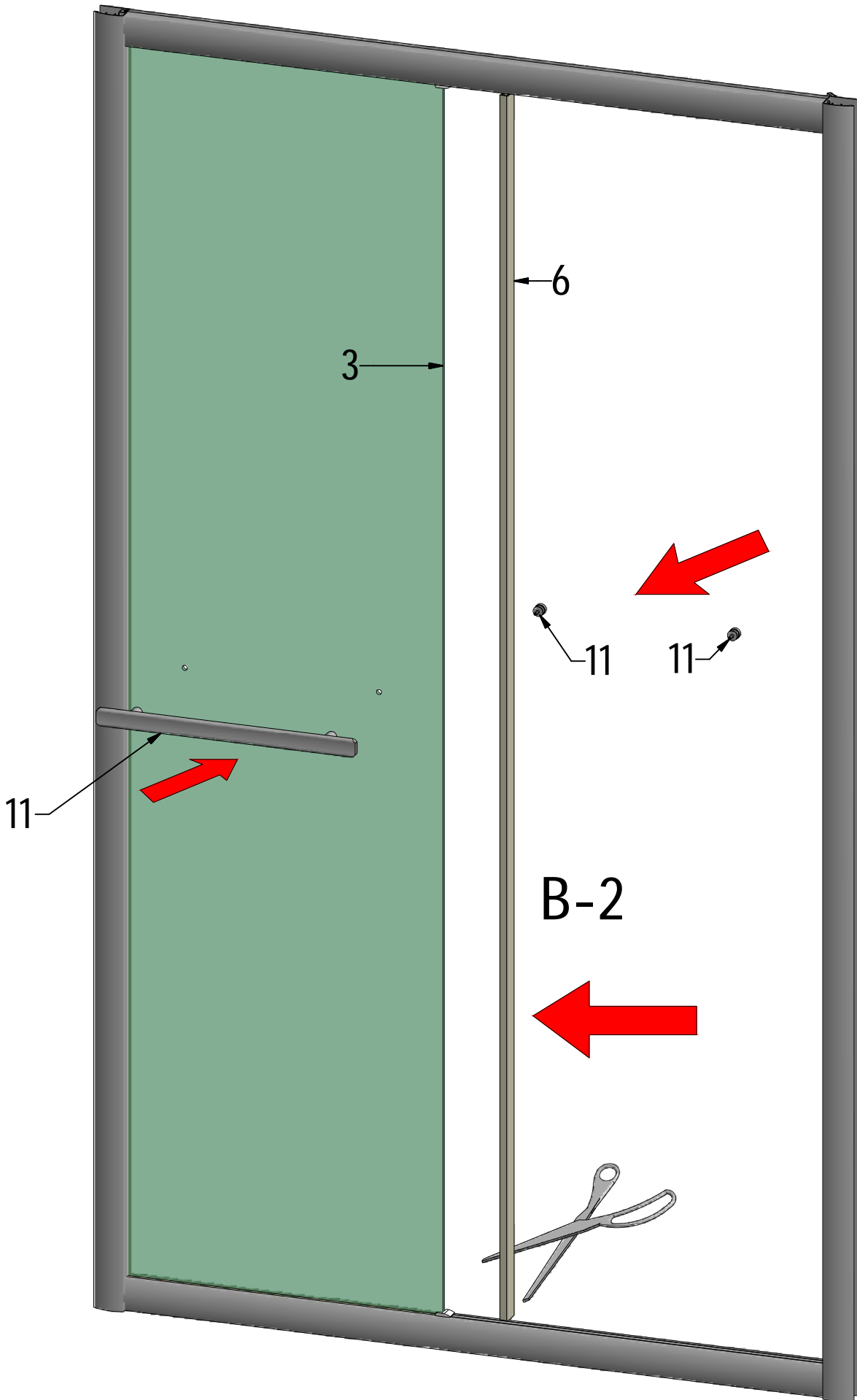
A-3



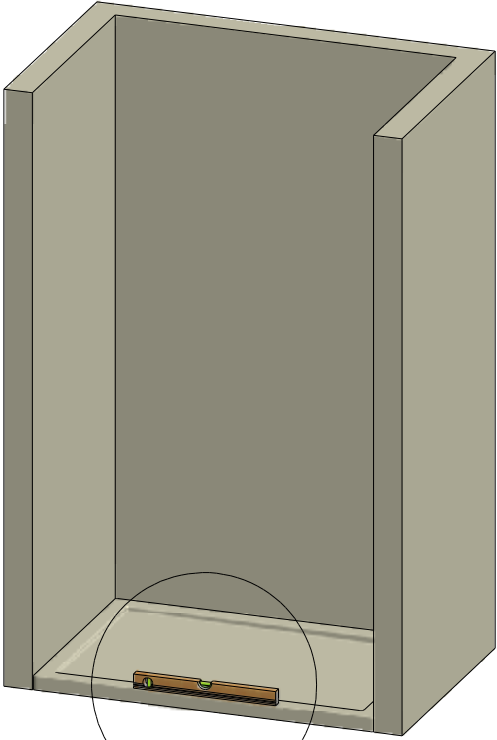
A-4



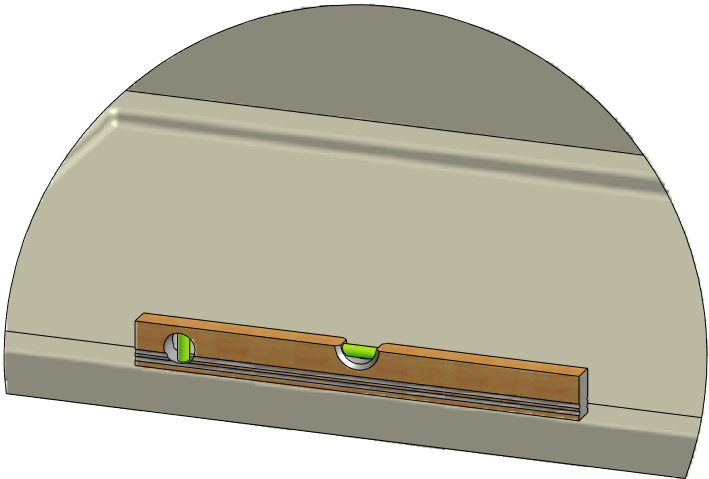
B-1



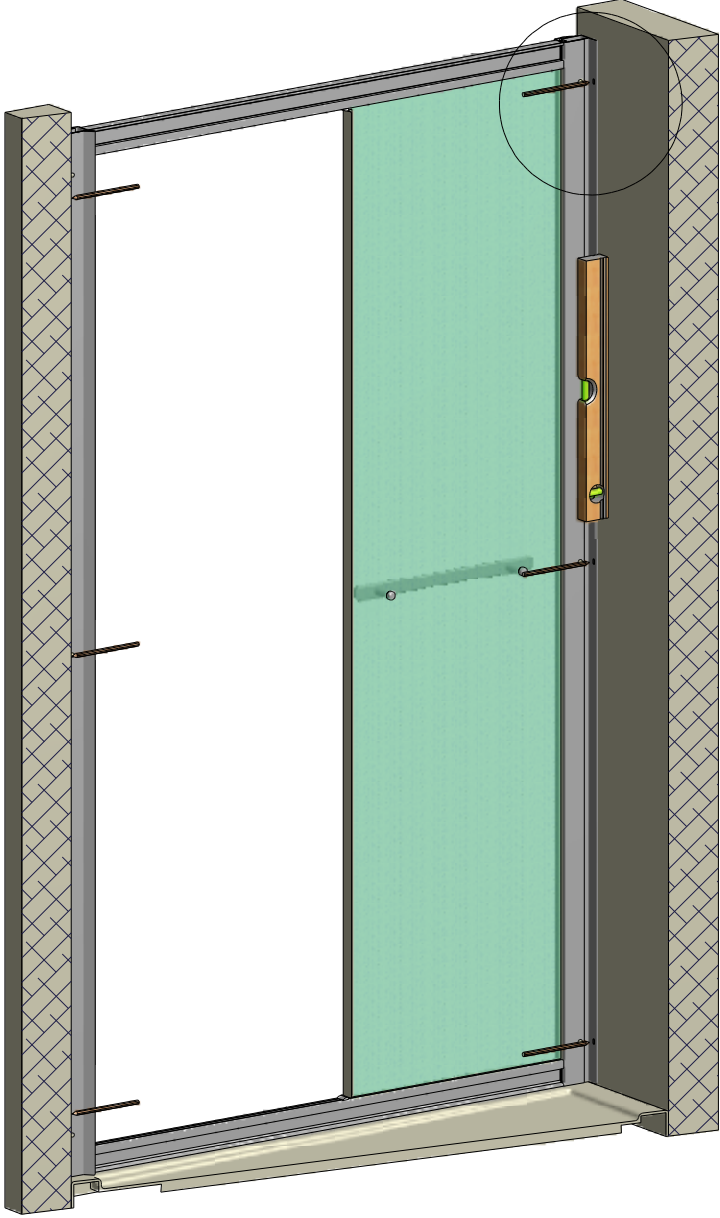
C-1



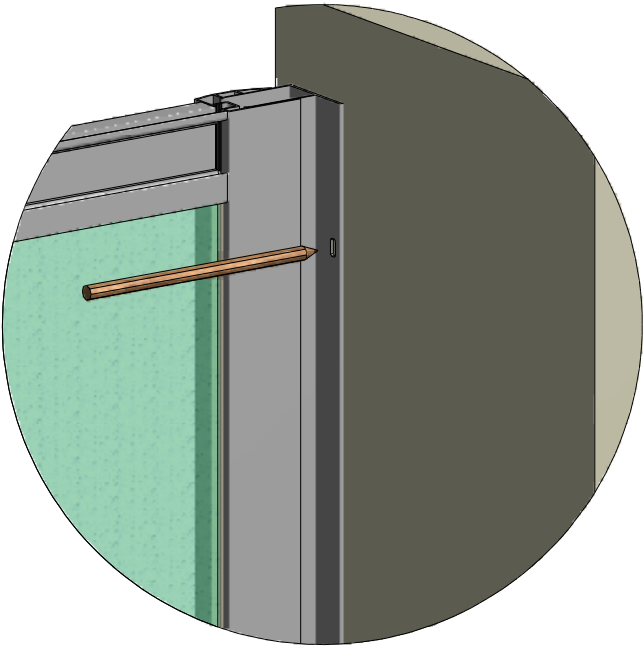
C-1

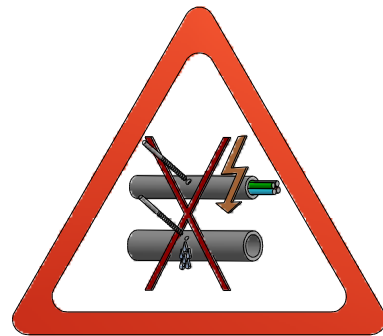
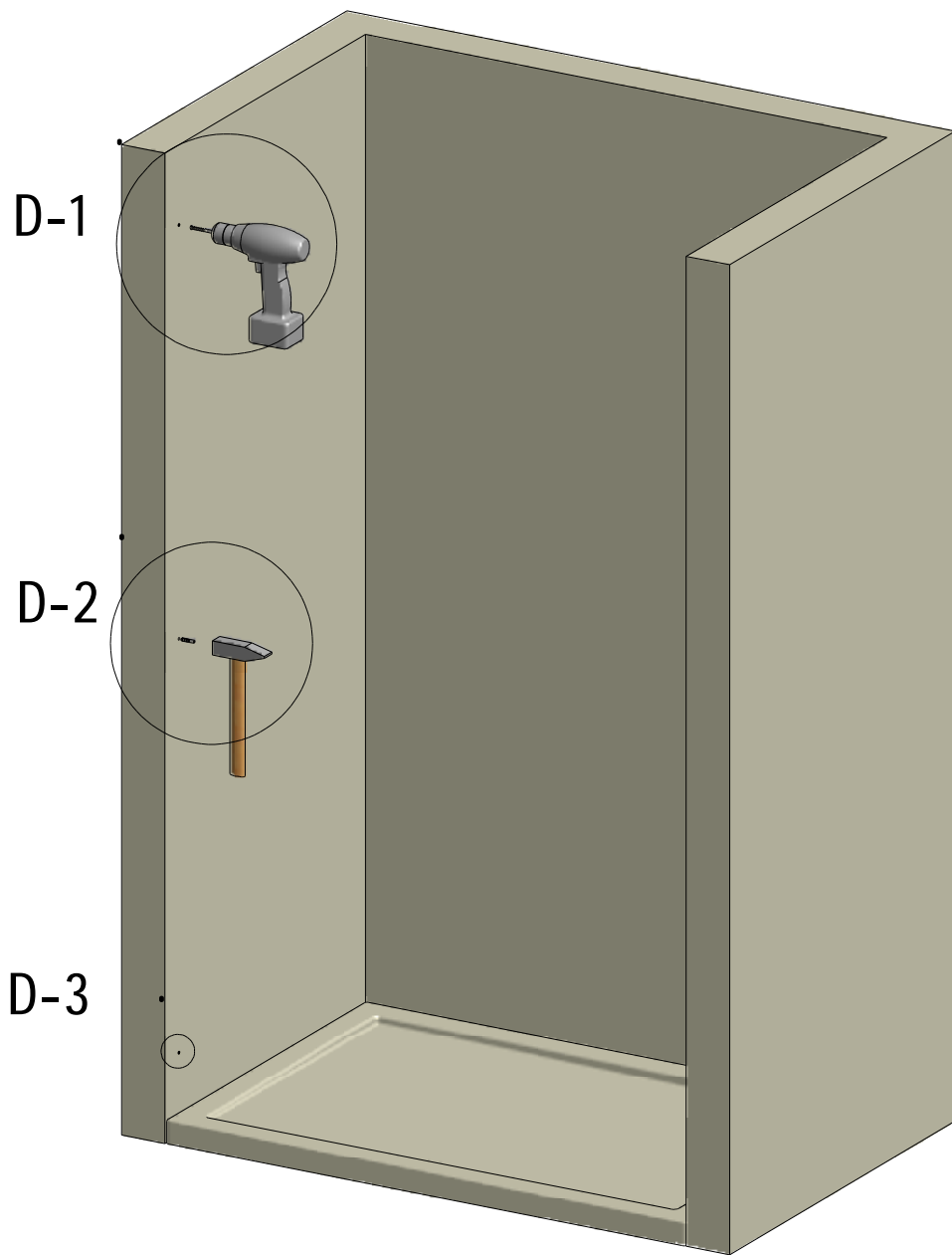


C-2

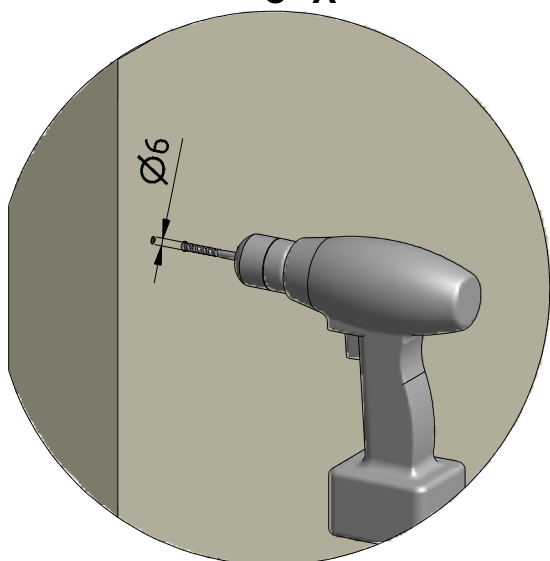


C-2

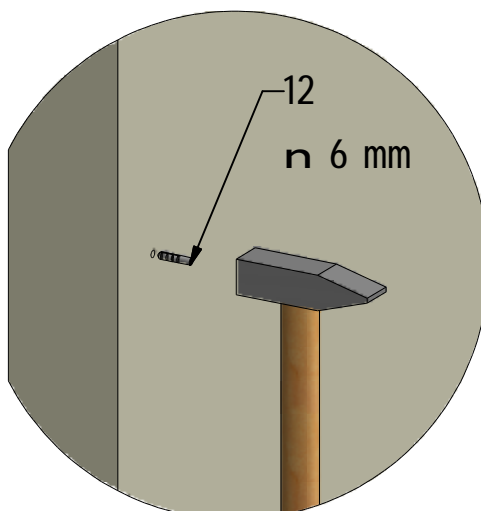




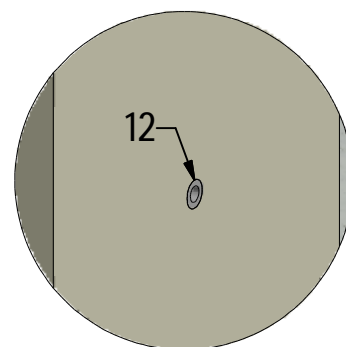
D-1
6 x

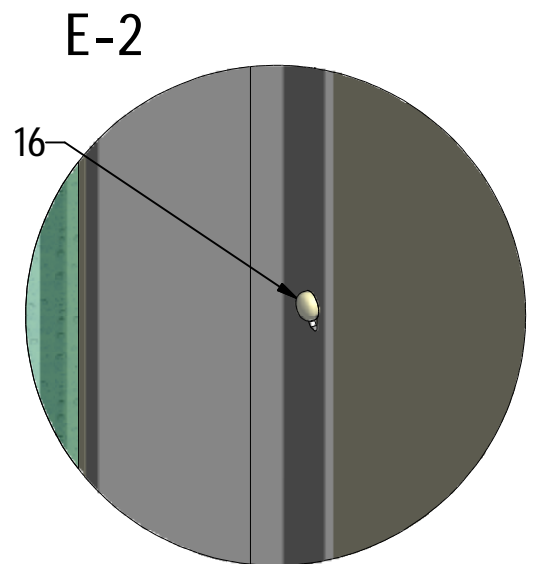
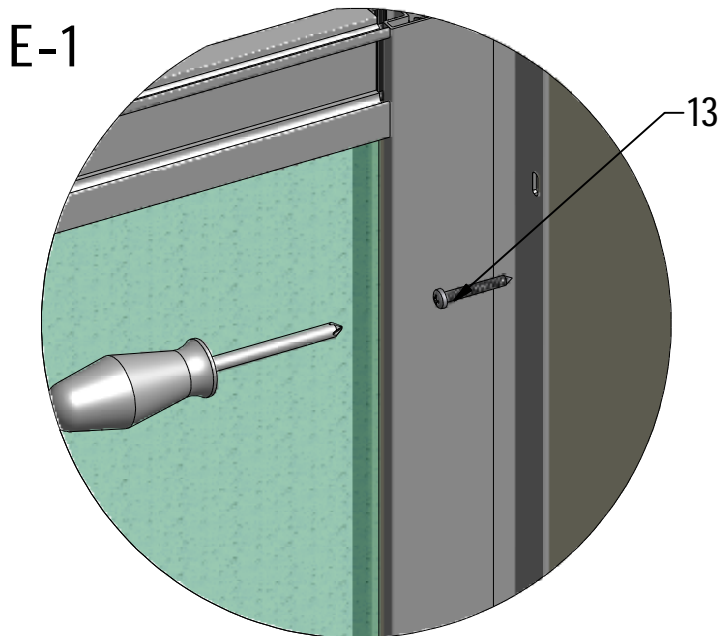
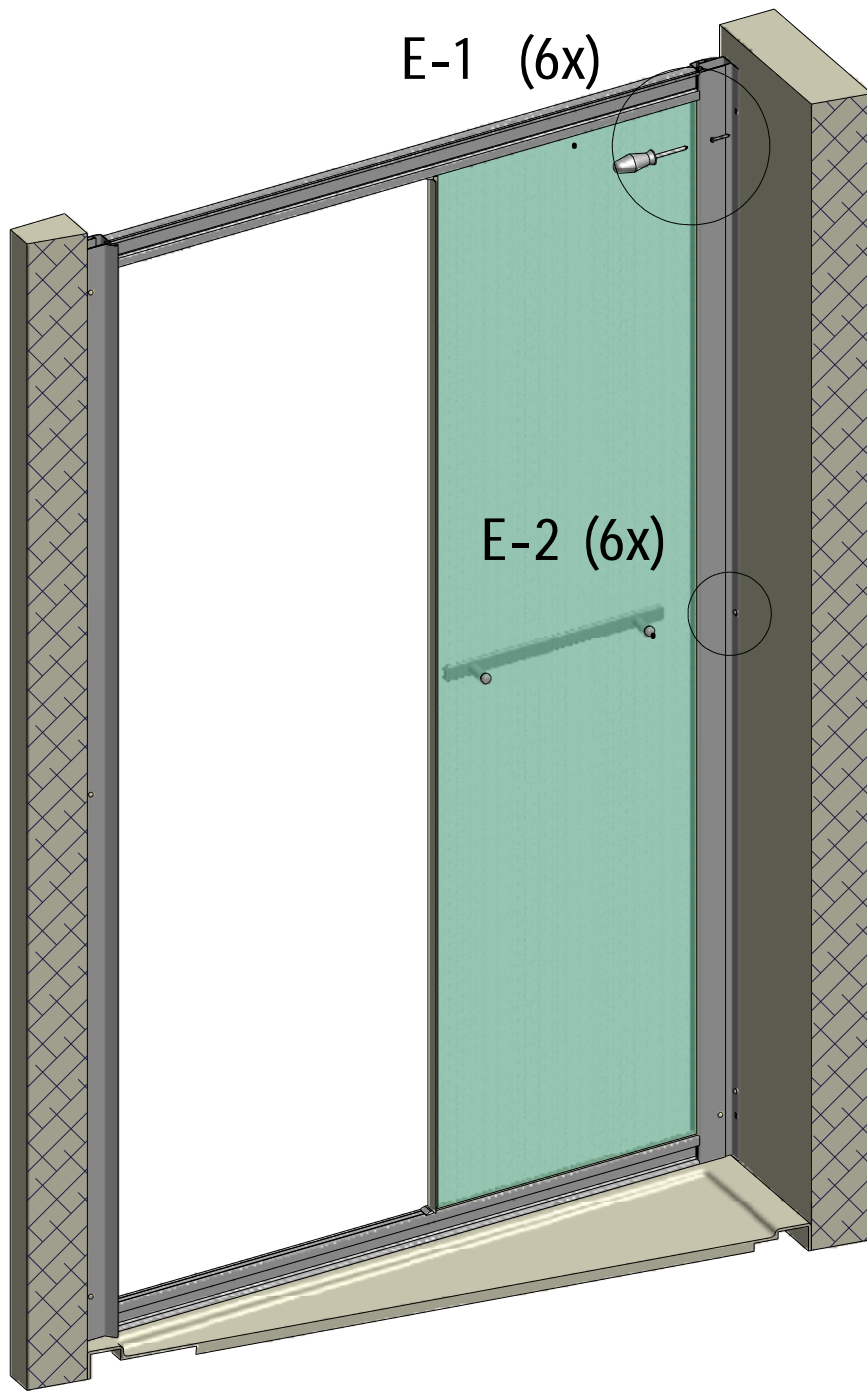


D-2
6 x

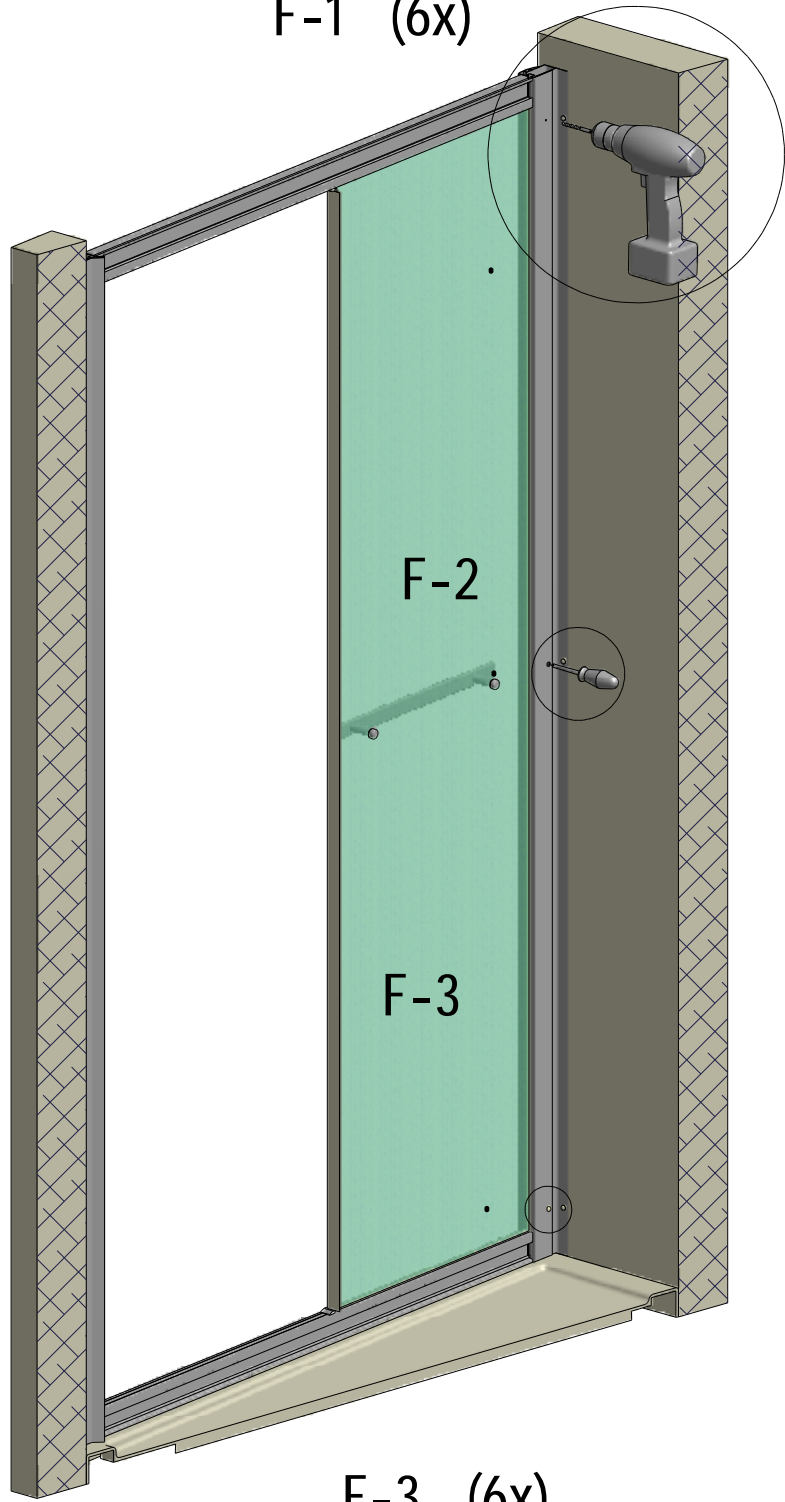


D-3
6 x

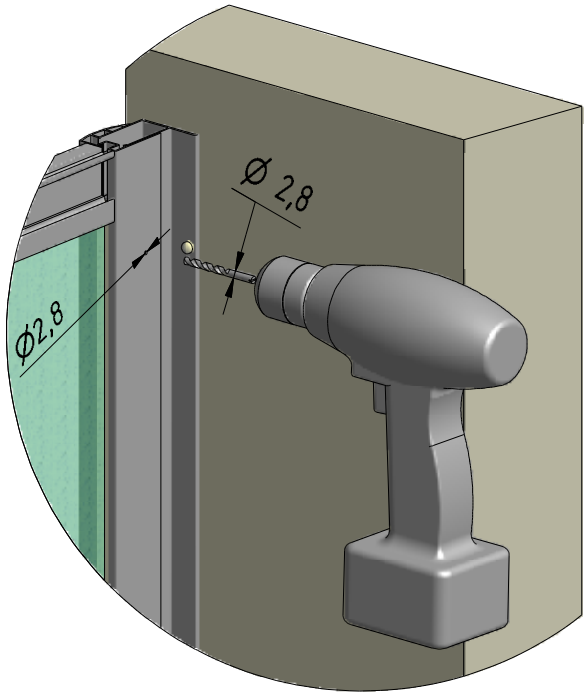




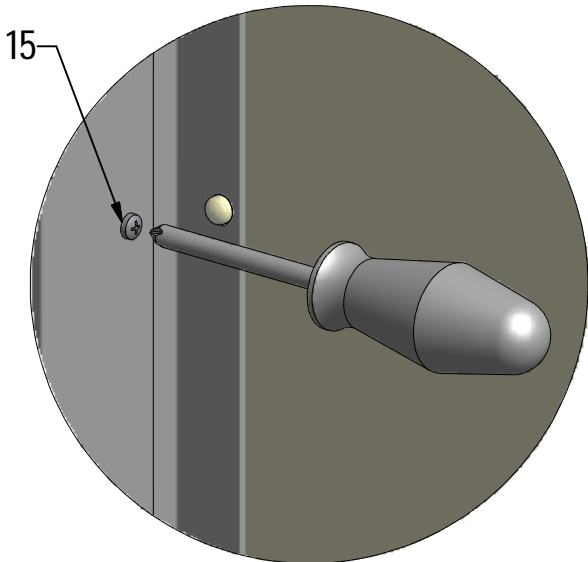
F-1 (6x)



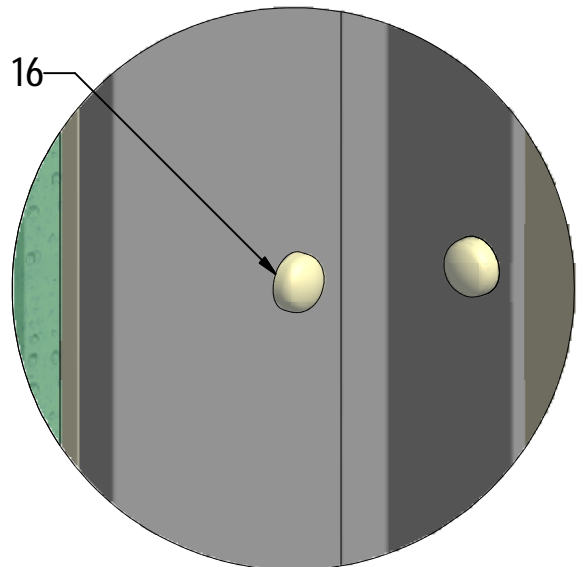
F-1 (6x)

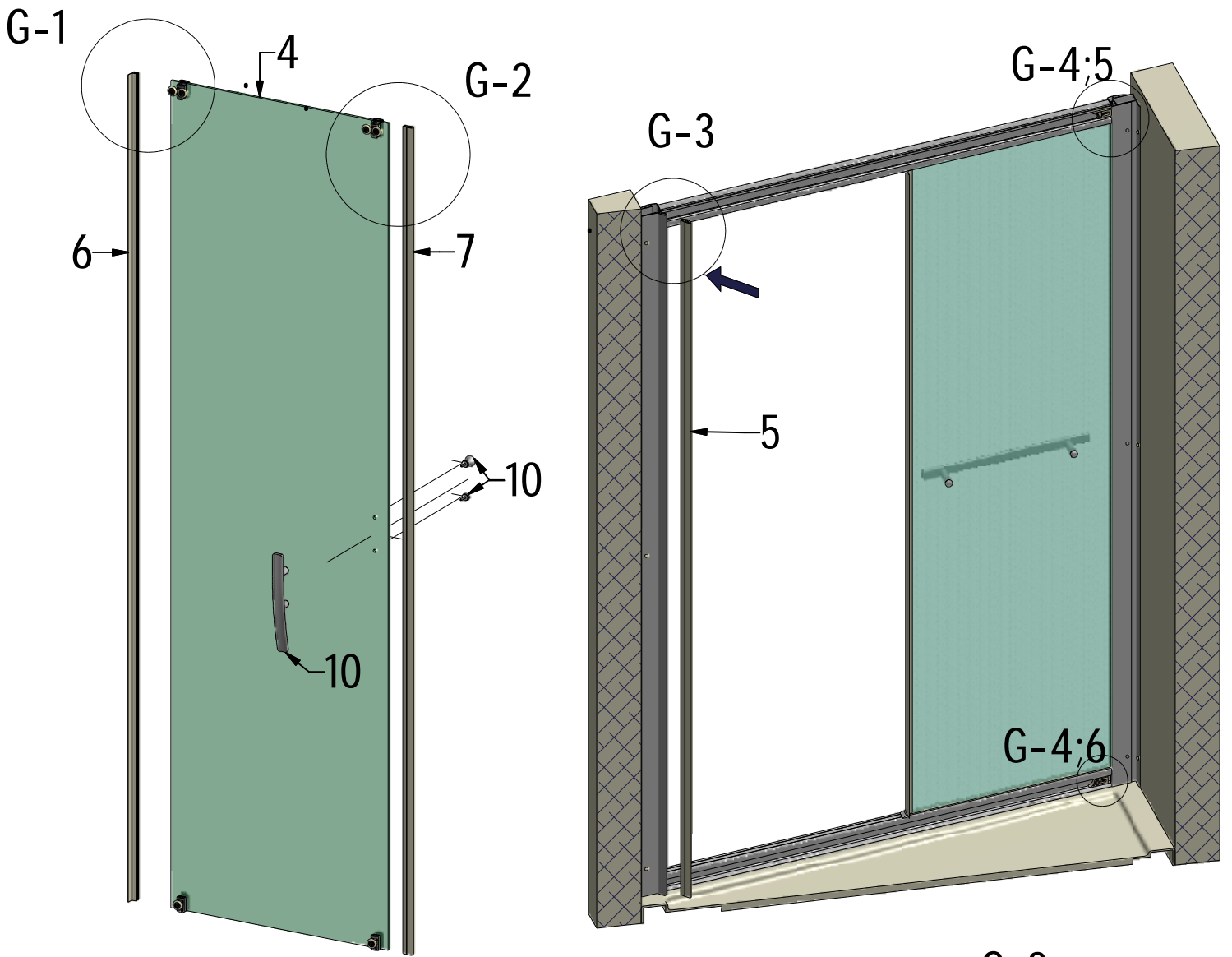


F-2 (6x)



F-3 (6x)

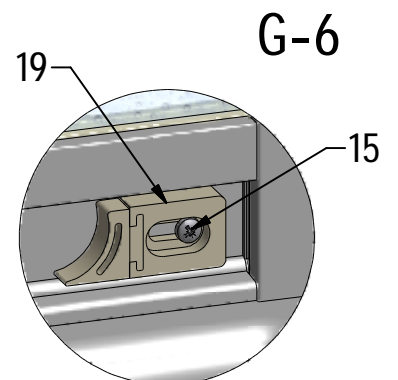
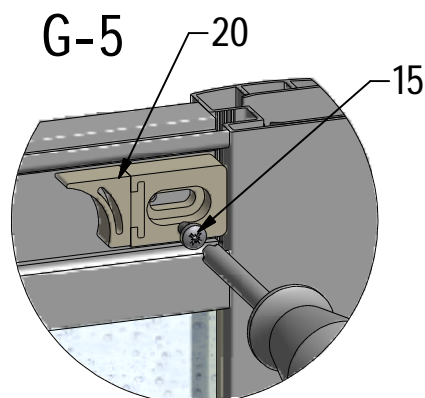
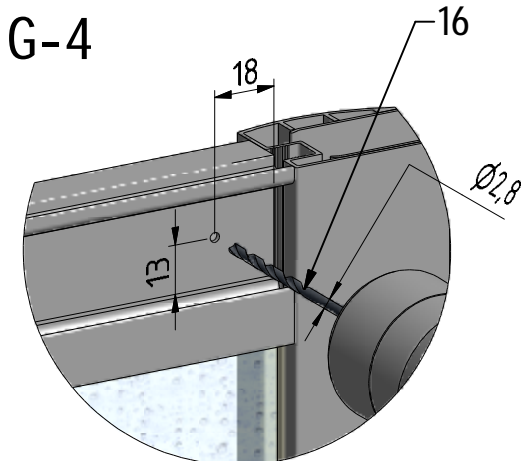
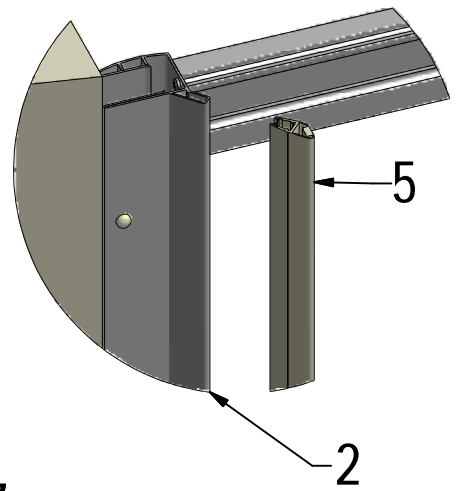
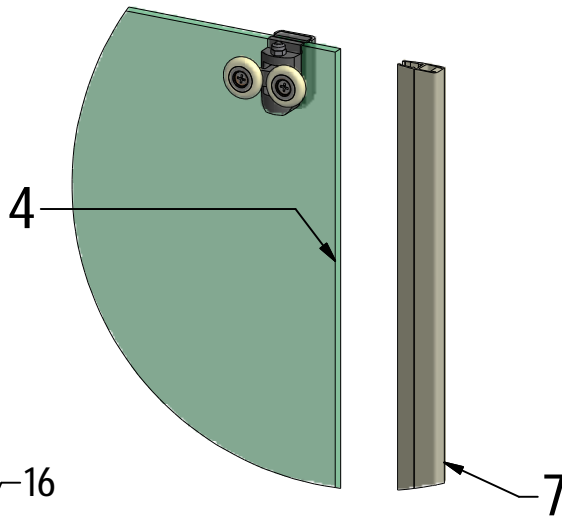
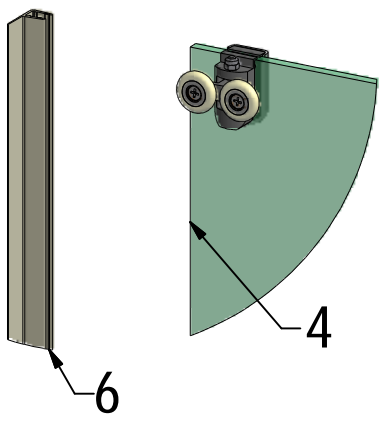




G-1

G-2

G-3



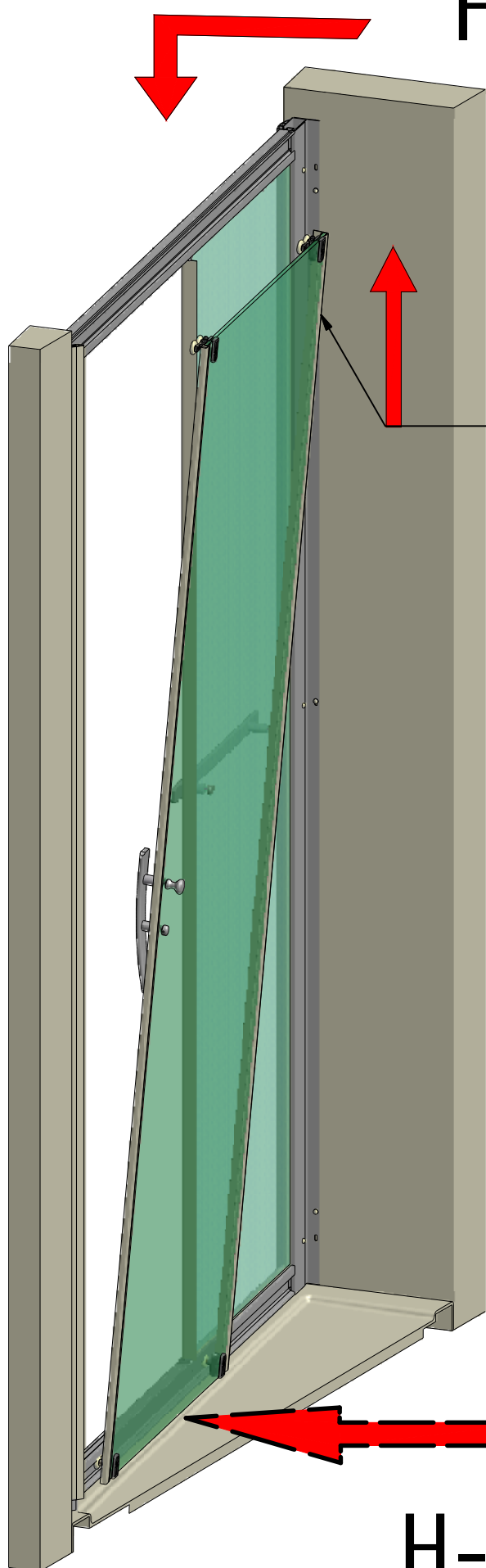
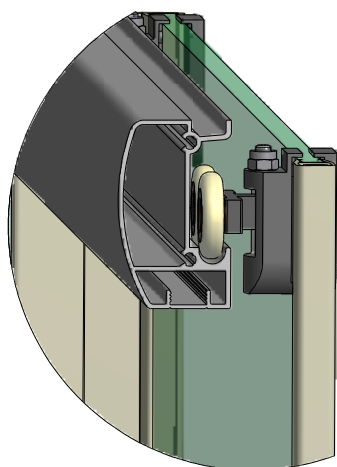
G-4

G-5

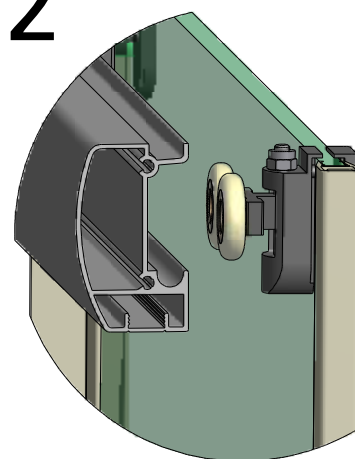
G-6

H-3

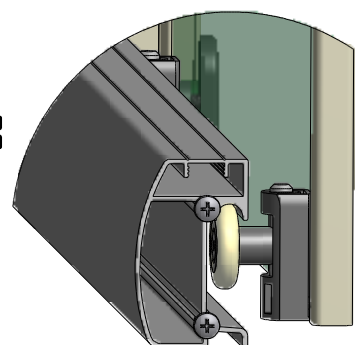
H-2



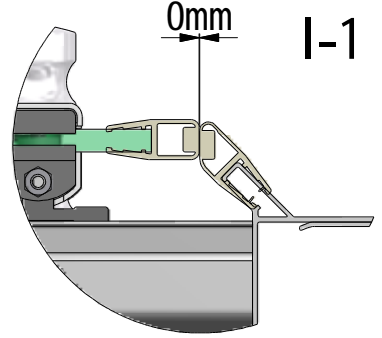
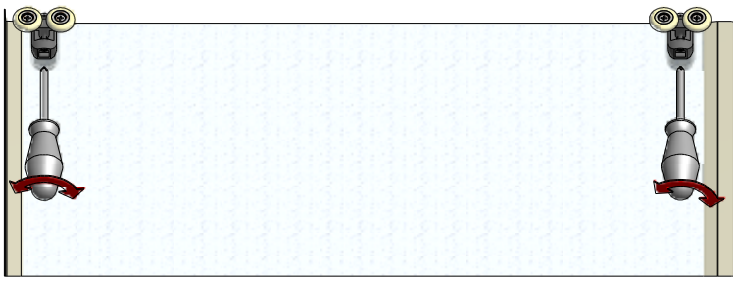
cca 5 mm



H-1



I-1

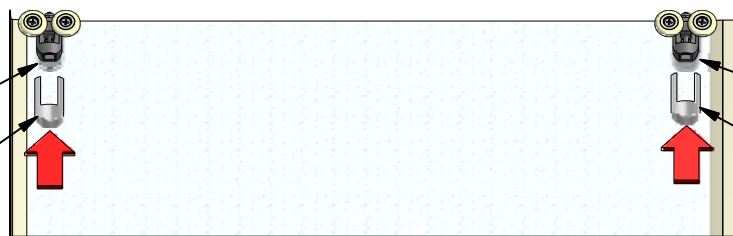


I-1

G (1:4)

I-2

18
17



18

18

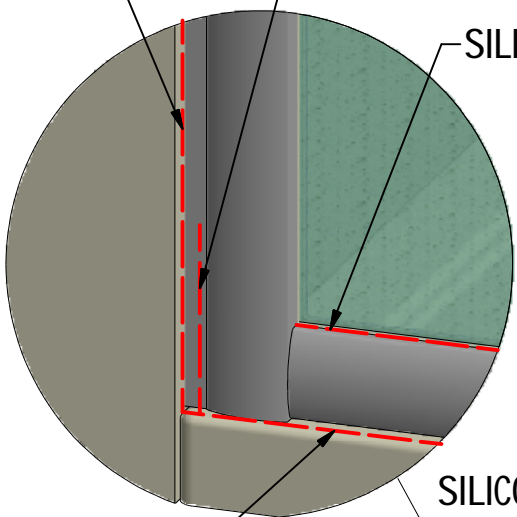
17



SILICONE

SILICONE MIN 100mm

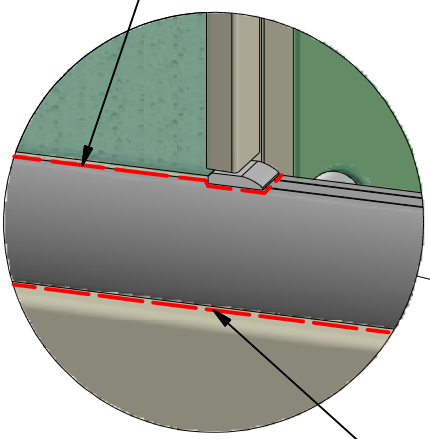
SILICONE



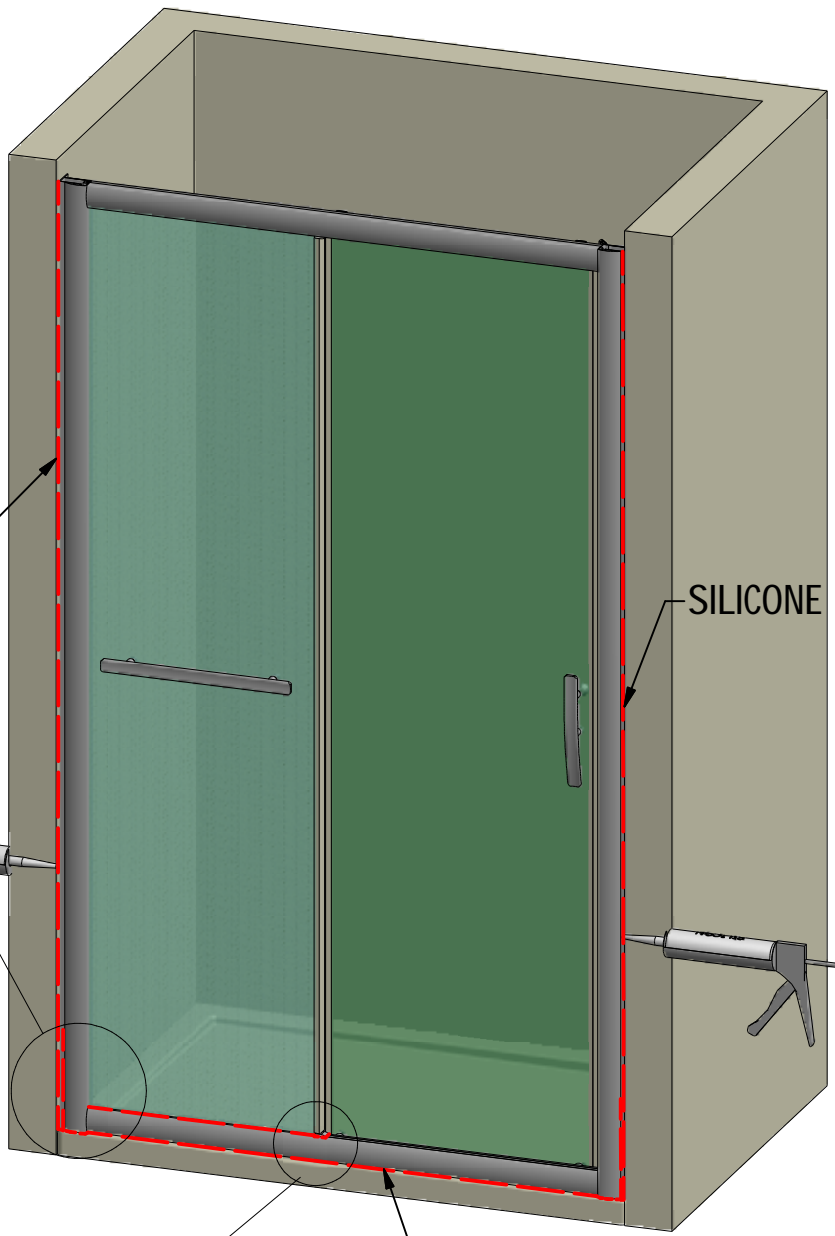
SILICONE

SILICONE

SILICONE



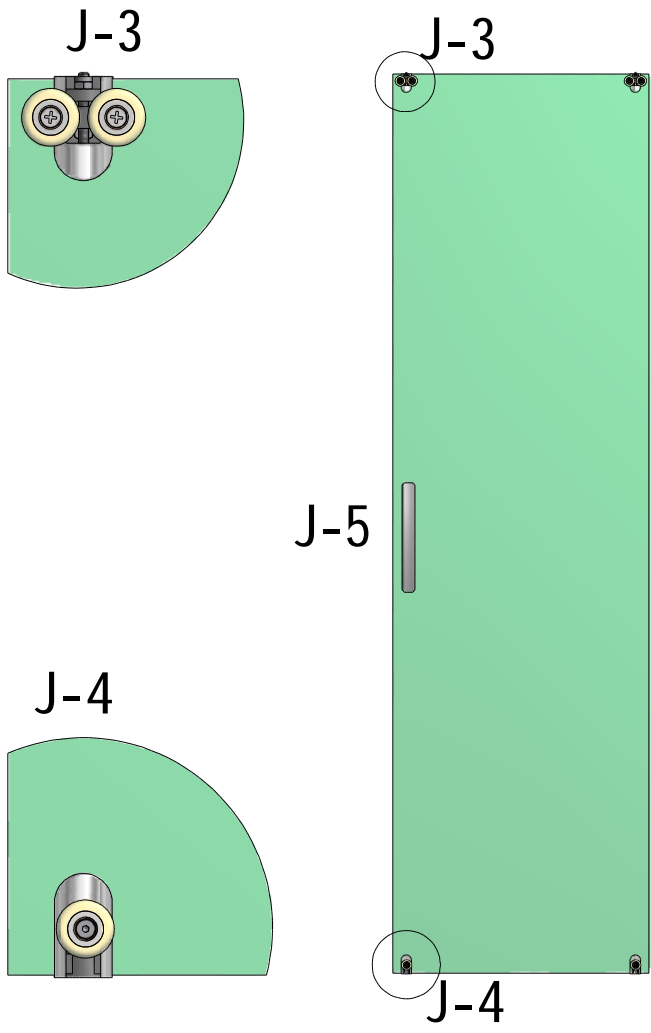
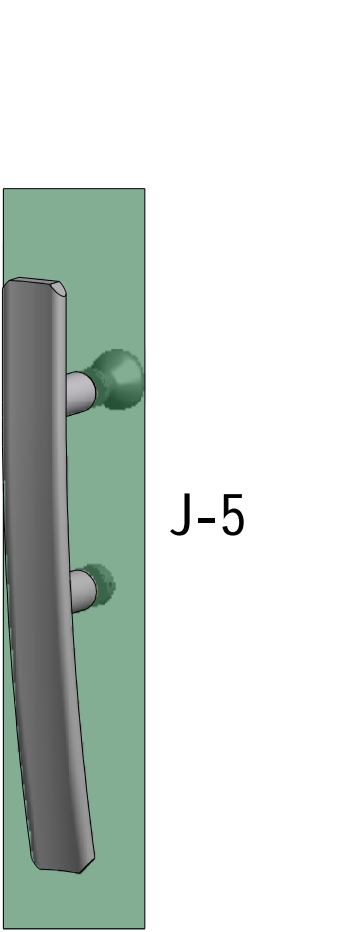
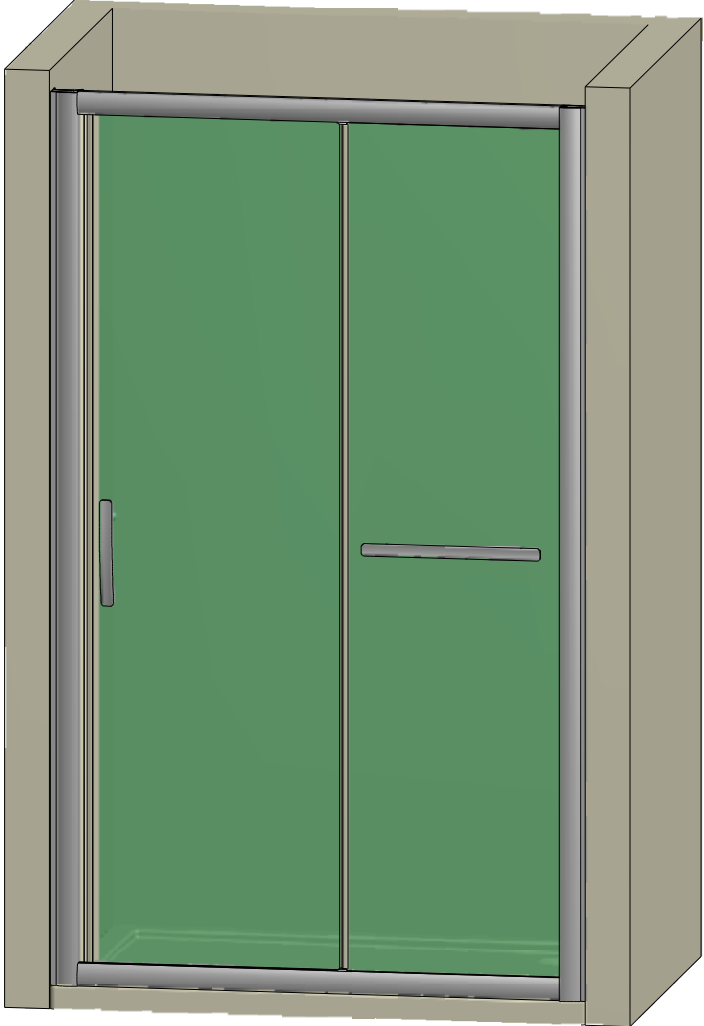
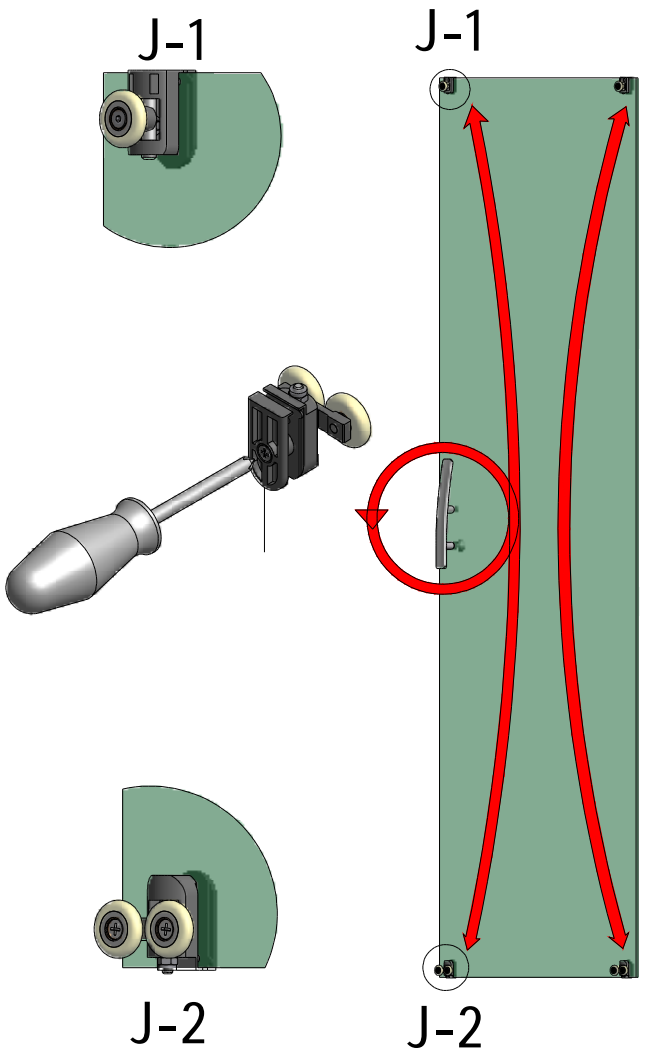
SILICONE

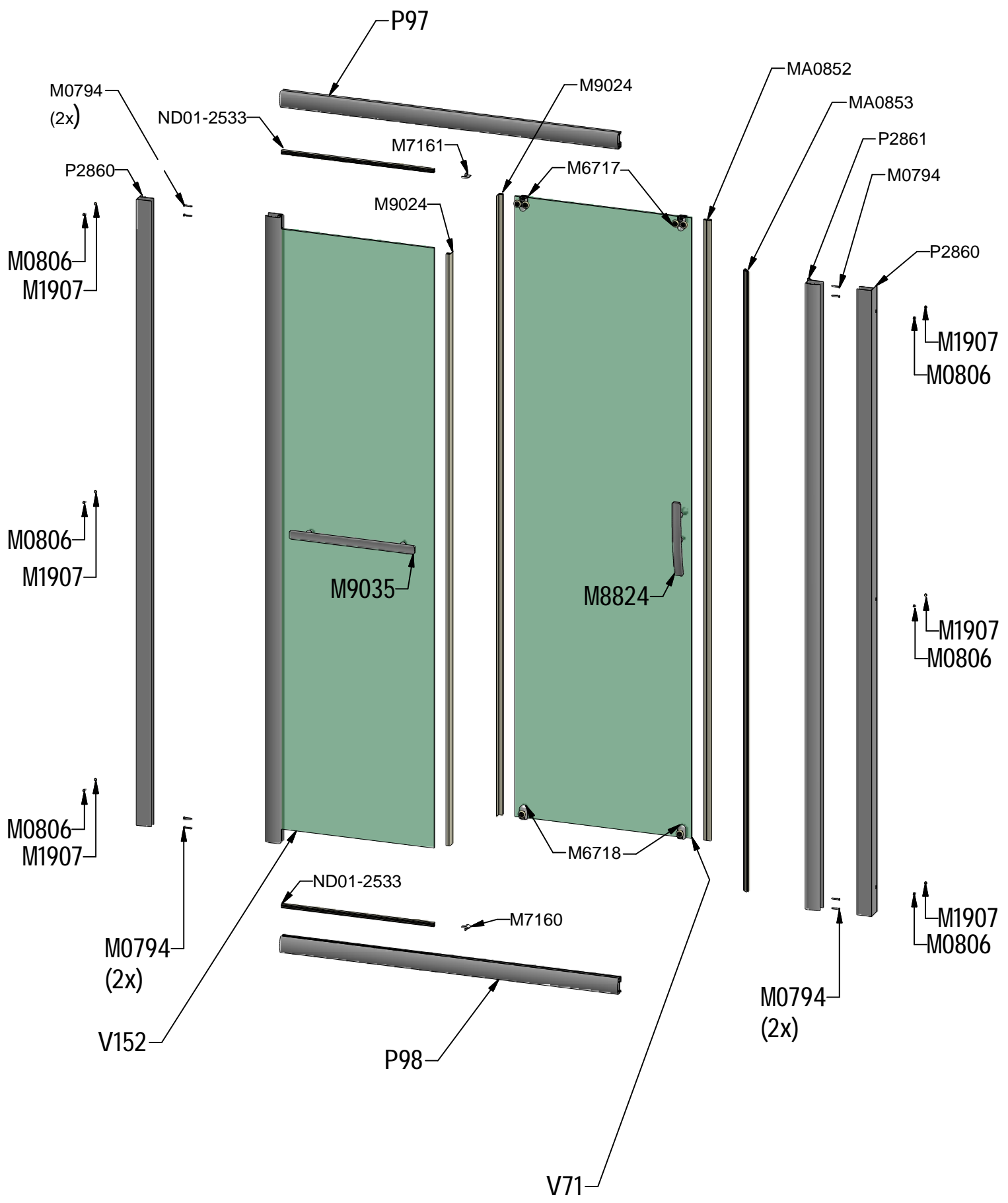


SILICONE

SILICONE

RIGHT VARIANT





V152	1200	brillant+clear glass	brillant+transparent	ND03-0575-00-02
		brillant+satinato glass	brillant+satinato	ND03-0575-00-15
		brillant+priting glass	brillant+potisk	ND03-0575-00-17
	1300	brillant+clear glass	brillant+transparent	ND03-0576-00-02
		brillant+satinato glass	brillant+satinato	ND03-0576-00-15
	1400	brillant+clear glass	brillant+transparent	ND03-0577-00-02
		brillant+satinato glass	brillant+satinato	ND03-0577-00-15
	1500	brillant+clear glass	brillant+transparent	ND03-0578-00-02
		brillant+satinato glass	brillant+satinato	ND03-0578-00-15
	1600	brillant+clear glass	brillant+transparent	ND03-0579-00-02
brillant+satinato glass		brillant+satinato	ND03-0579-00-15	

V71	1200	clear glass	transparent	ND02-0581-00-02
		satinato glass	satinato	ND02-0581-00-15
		priting glass	potisk	ND02-0581-00-17
	1300	clear glass	transparent	ND02-0582-00-02
		satinato glass	satinato	ND02-0582-00-15
	1400	clear glass	transparent	ND02-0583-00-02
		satinato glass	satinato	ND02-0583-00-15
	1500	clear glass	transparent	ND02-0647-00-02
		satinato glass	satinato	ND02-0647-00-15
	1600	clear glass	transparent	ND02-0648-00-02
satinato glass		satinato	ND02-0648-00-15	

P97	1200			P2864
	1300			P2866
	1400			P2868
	1500			P2947
	1600			P2995

P98	1200			P2865
	1300			P2867
	1400			P2869
	1500			P2948
	1600			P2996

