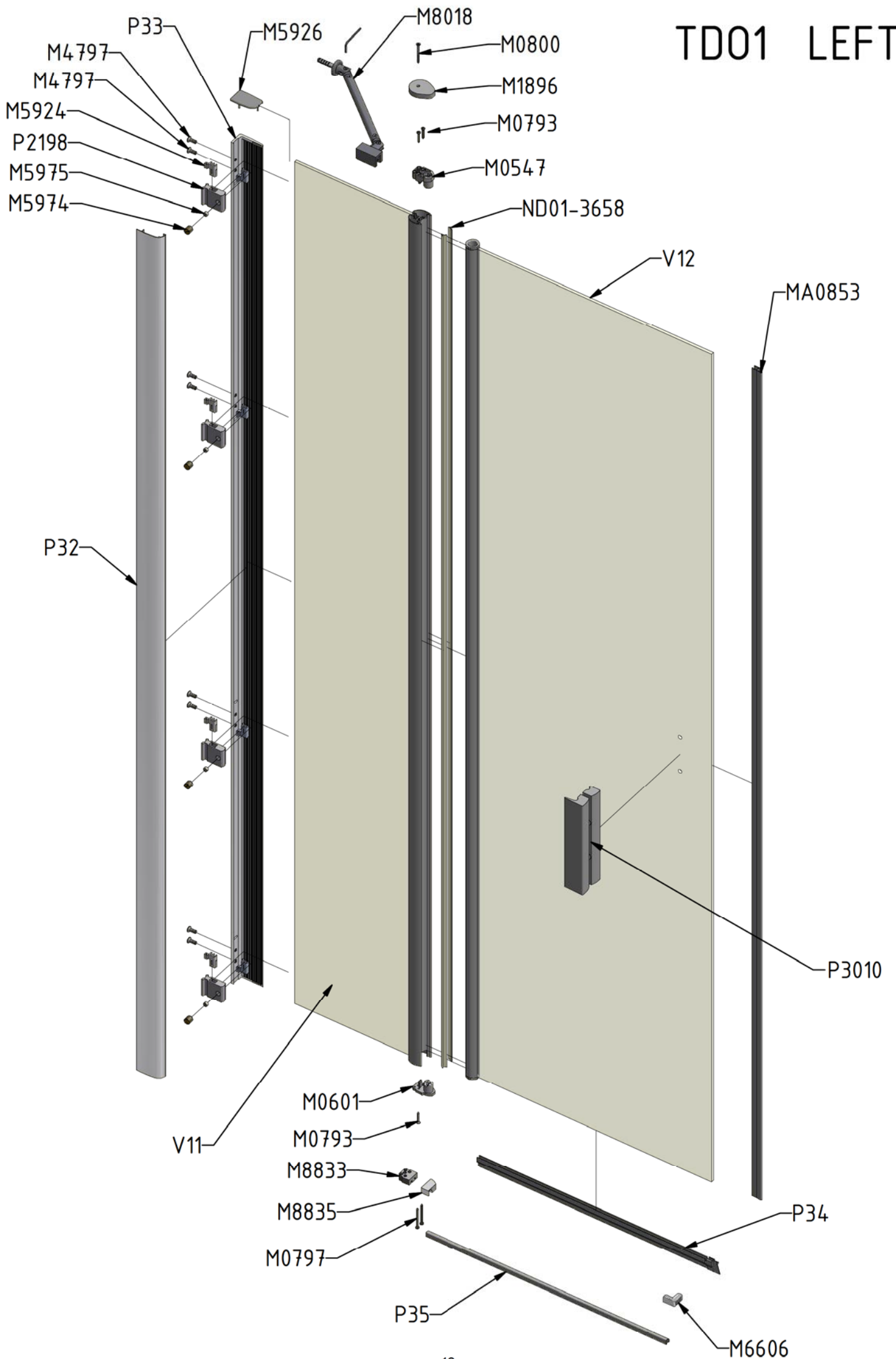
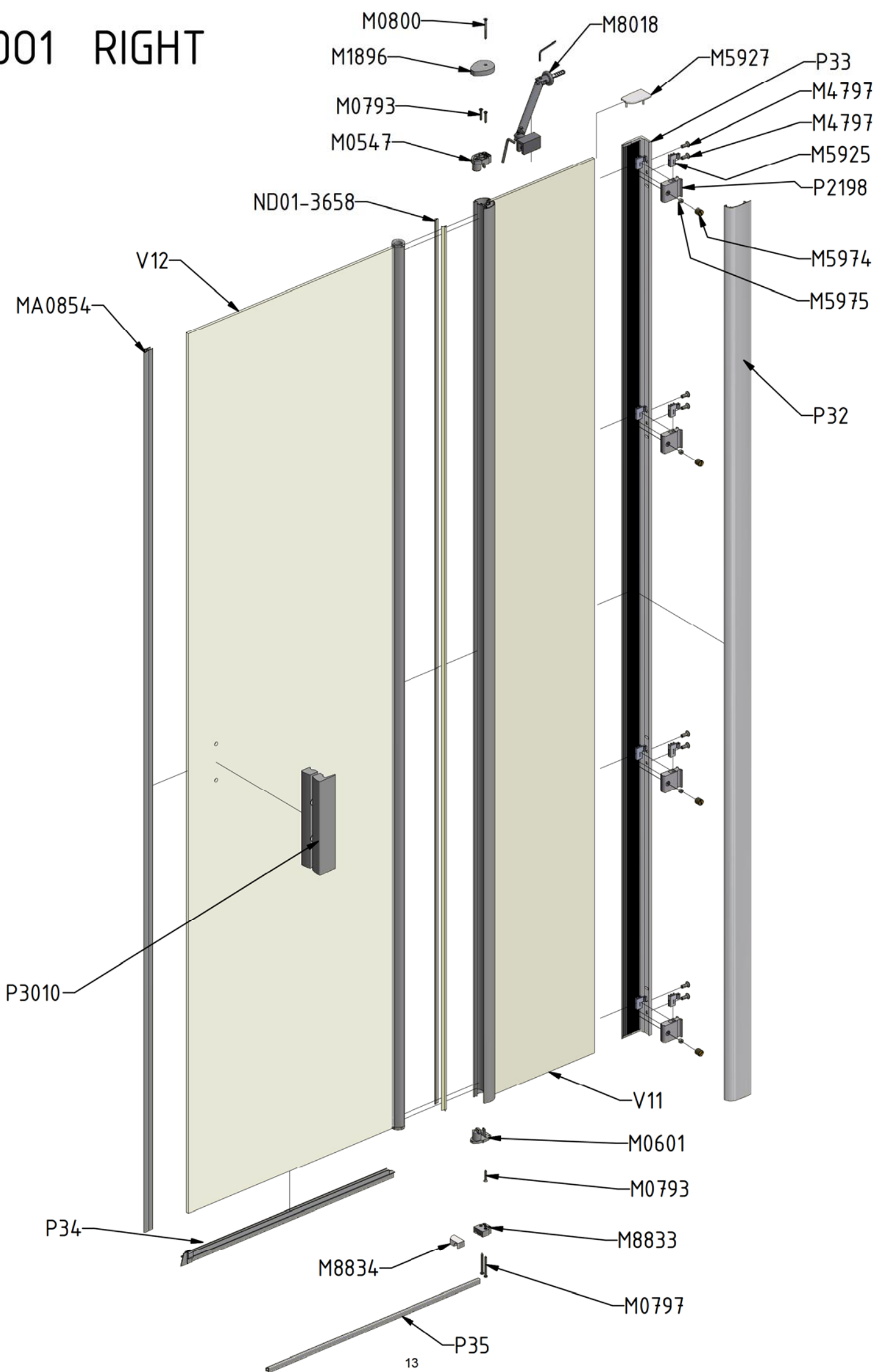


# TD01 LEFT



# TD01 RIGHT



|     |      |          |              |
|-----|------|----------|--------------|
| P32 |      | brillant | P2197        |
|     |      | elox     | P2205        |
| P33 |      | brillant | ND01-0973-00 |
|     |      | elox     | ND01-0973-01 |
| P34 |      |          | ND01-2420    |
| P35 | 800  |          | ND01-2227-8  |
|     | 900  |          | ND01-2227-9  |
|     | 1000 |          | ND01-2227-1  |
|     | 1100 |          | ND01-2227-1  |
|     | 1200 |          | ND01-2227-12 |

|     |              |                      |                    |                 |
|-----|--------------|----------------------|--------------------|-----------------|
| V11 | 800;900;1000 | brillant+clear glass | brillant+čiré sklo | ND03-0198-00-02 |
|     |              | elox+clear glass     | elox+čiré sklo     | ND03-0198-01-02 |
|     | 1100;1200    | brillant+clear glass | brillant+čiré sklo | ND03-0749-00-02 |
|     |              | elox+clear glass     | elox+čiré sklo     | ND03-0749-01-02 |
| V12 | 800          | brillant+clear glass | brillant+čiré sklo | ND02-0505-00-02 |
|     |              | elox+clear glass     | elox+čiré sklo     | ND02-0505-01-02 |
|     | 900          | brillant+clear glass | brillant+čiré sklo | ND02-0506-00-02 |
|     |              | elox+clear glass     | elox+čiré sklo     | ND02-0506-01-02 |
|     | 1000         | brillant+clear glass | brillant+čiré sklo | ND02-0507-00-02 |
|     |              | elox+clear glass     | elox+čiré sklo     | ND02-0507-01-02 |
|     | 1100         | brillant+clear glass | brillant+čiré sklo | ND02-0507-00-02 |
|     |              | elox+clear glass     | elox+čiré sklo     | ND02-0507-01-02 |
|     | 1200         | brillant+clear glass | brillant+čiré sklo | ND02-0761-00-02 |
|     |              | elox+clear glass     | elox+čiré sklo     | ND02-0761-01-02 |