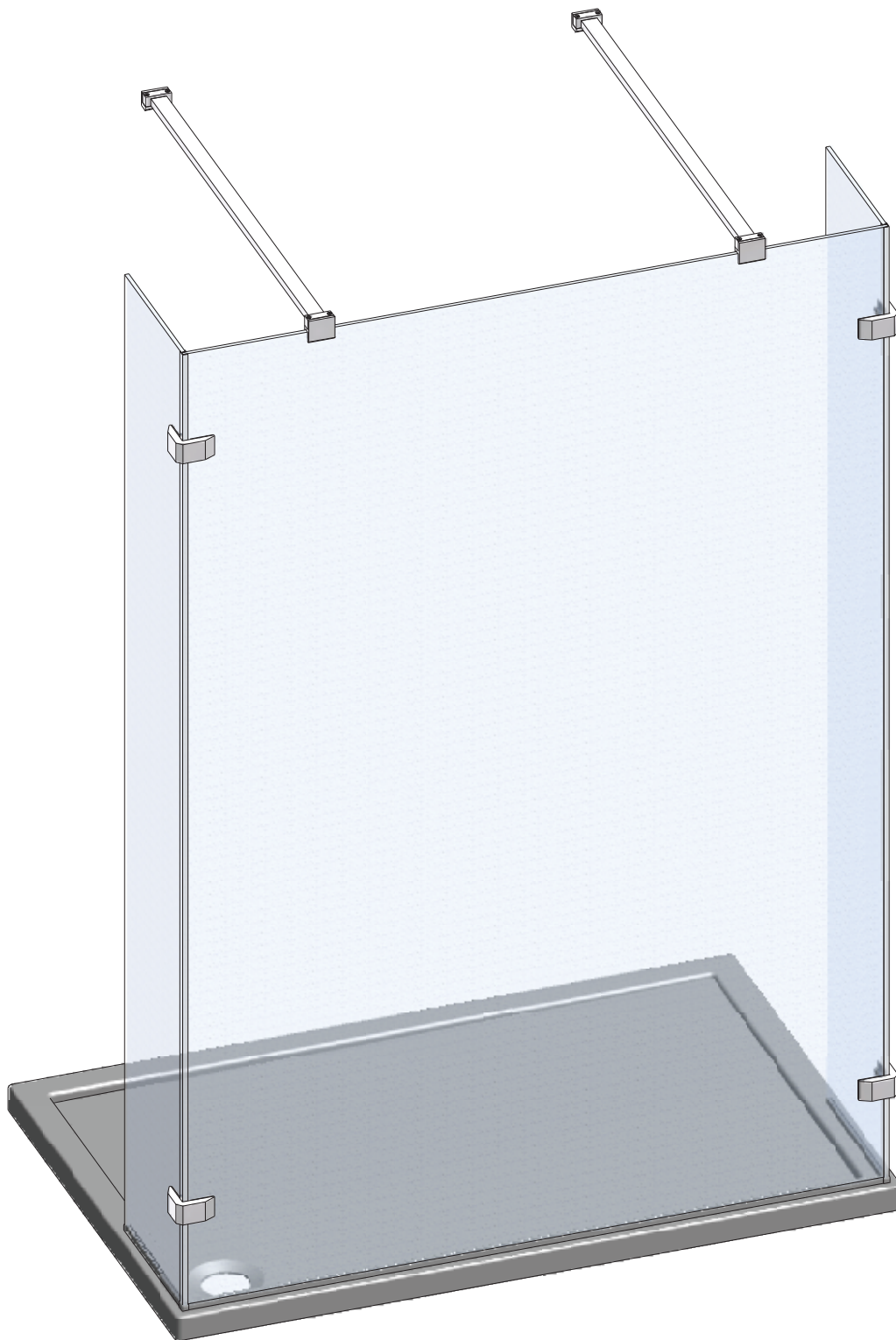
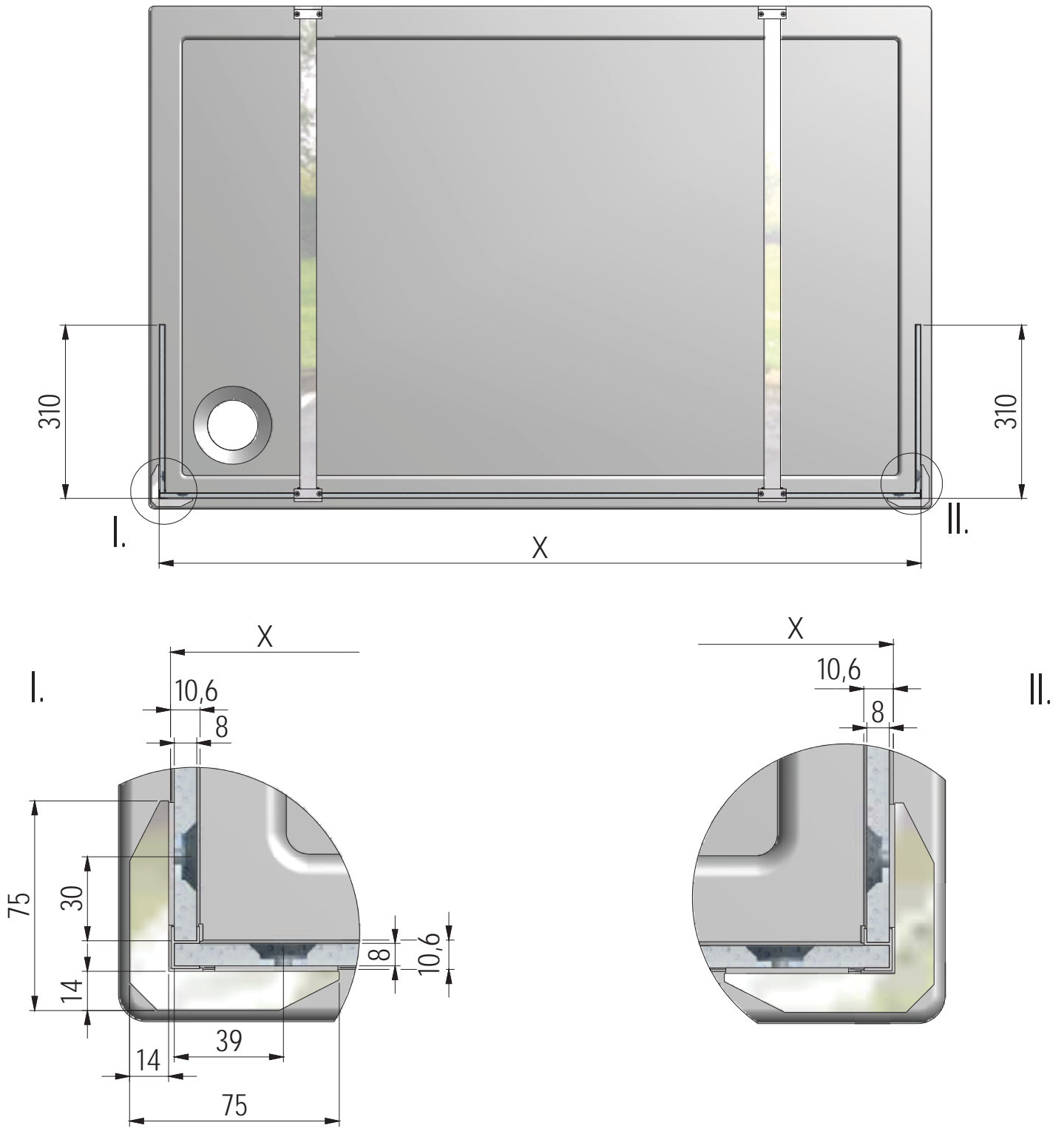


# WALK A



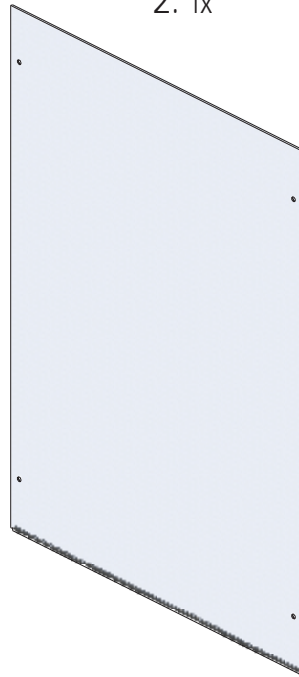


WALK A	
	X (mm)
1000	963
1200	1163
1400	1363
1500	1463

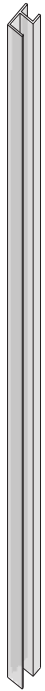
1. 2x



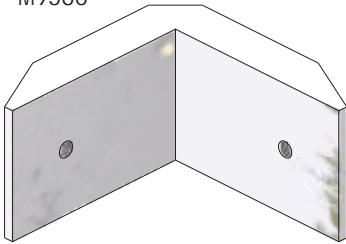
2. 1x



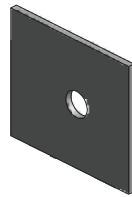
6. 2x  
M9750



15. 4x  
M9386



16. 8x  
M9339



17. 8x  
M9176



12. 1x  
M9098



13. 1x  
M9099



14. 2x  
M9097



18. 8x  
M9418



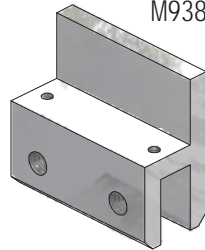
19. 8x  
M9177



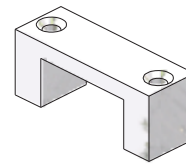
20. 8x  
M8295



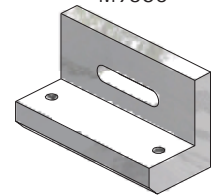
22. 2x  
M9383



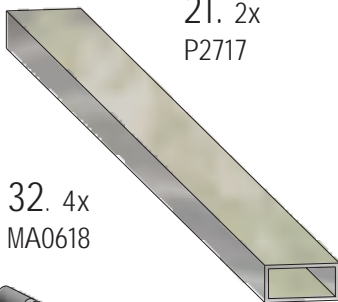
23. 4x  
M9384



24. 2x  
M9385



21. 2x  
P2717



32. 4x  
MA0618



25. 2x  
M9468



26. 8x  
M9292



27. 4x  
MA3667

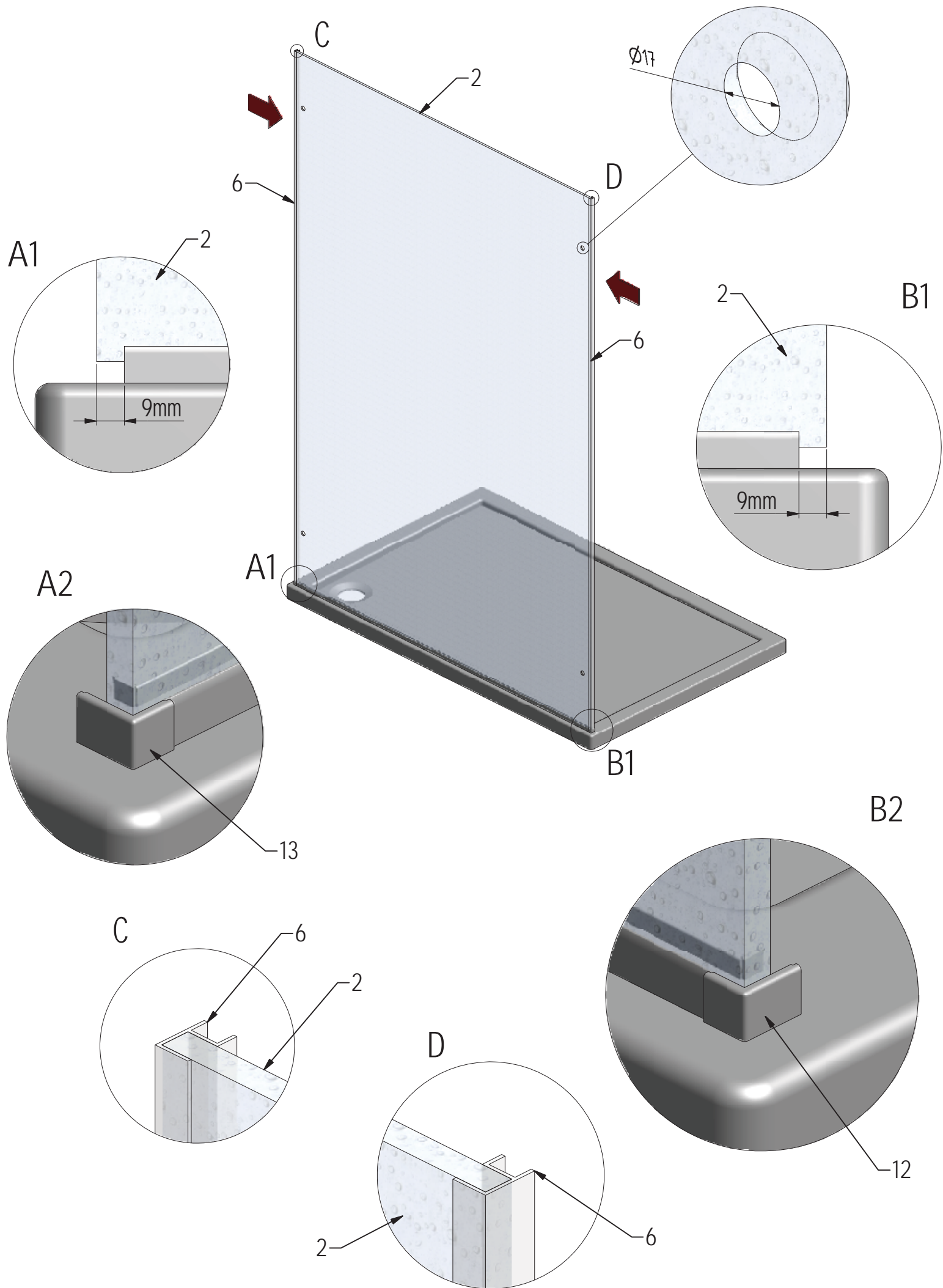


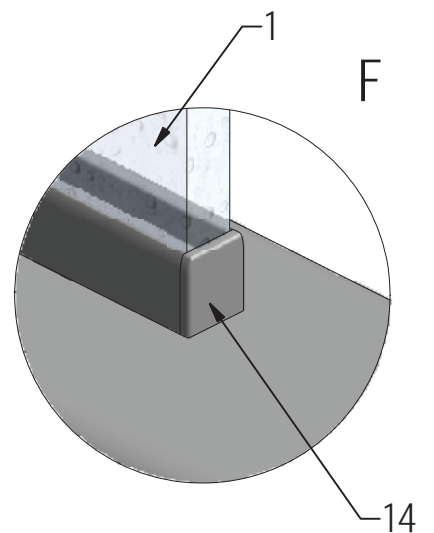
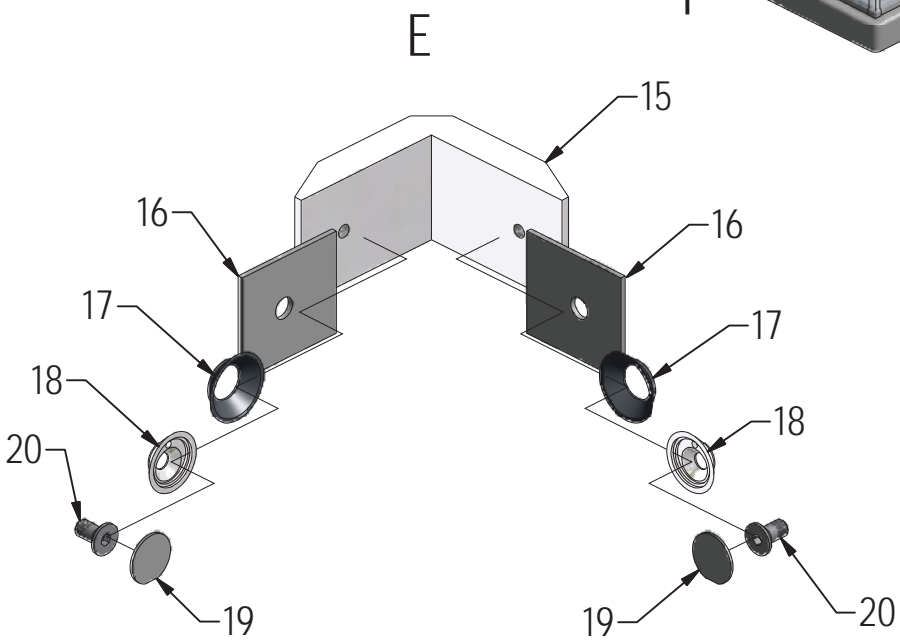
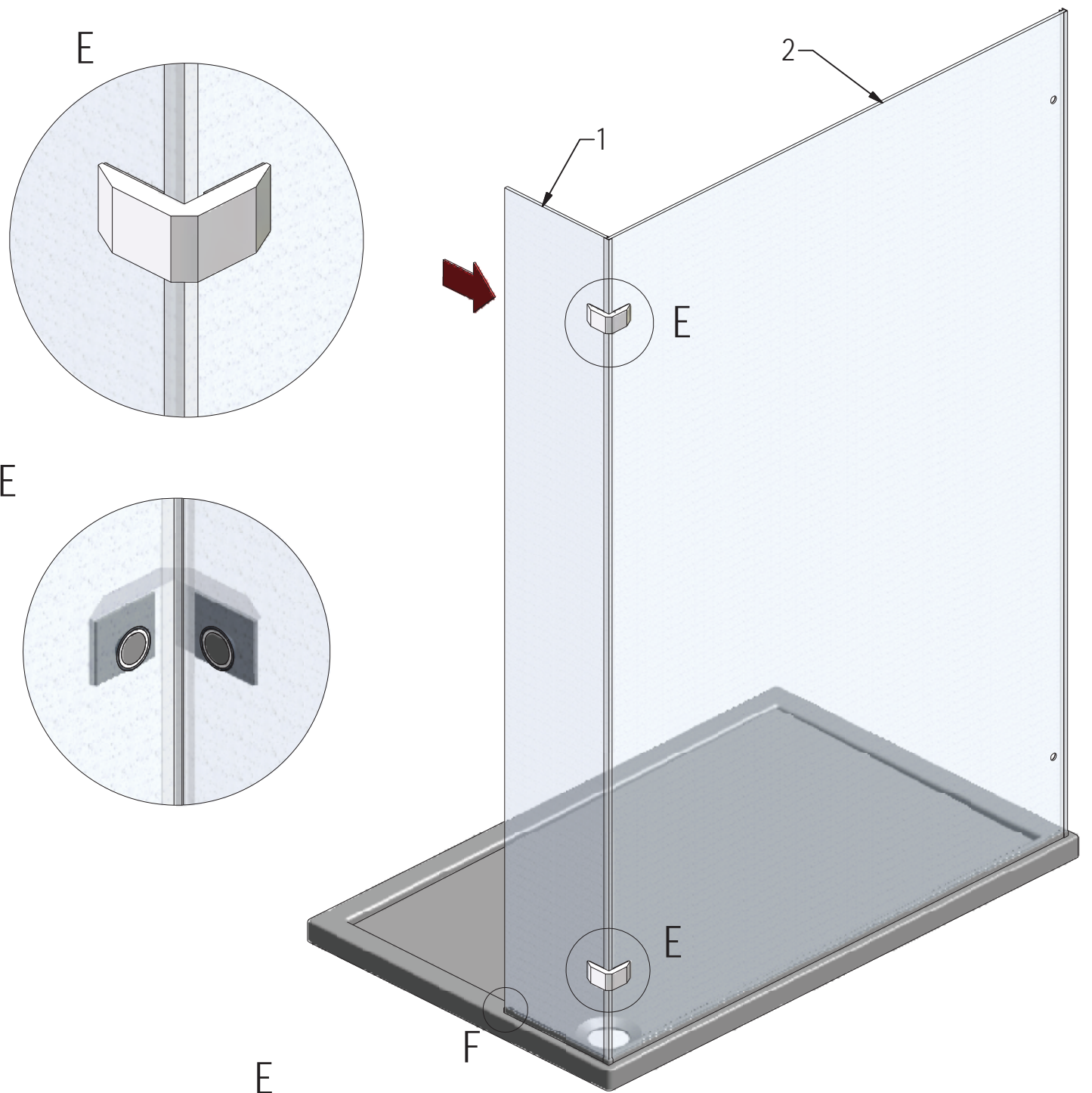
31. 4x  
MA0171



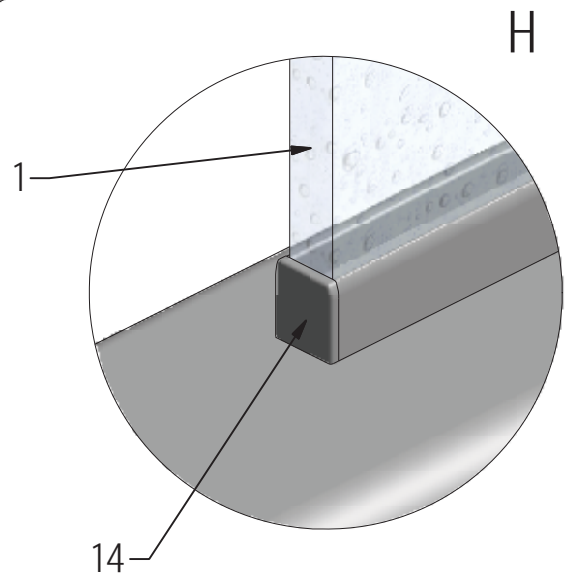
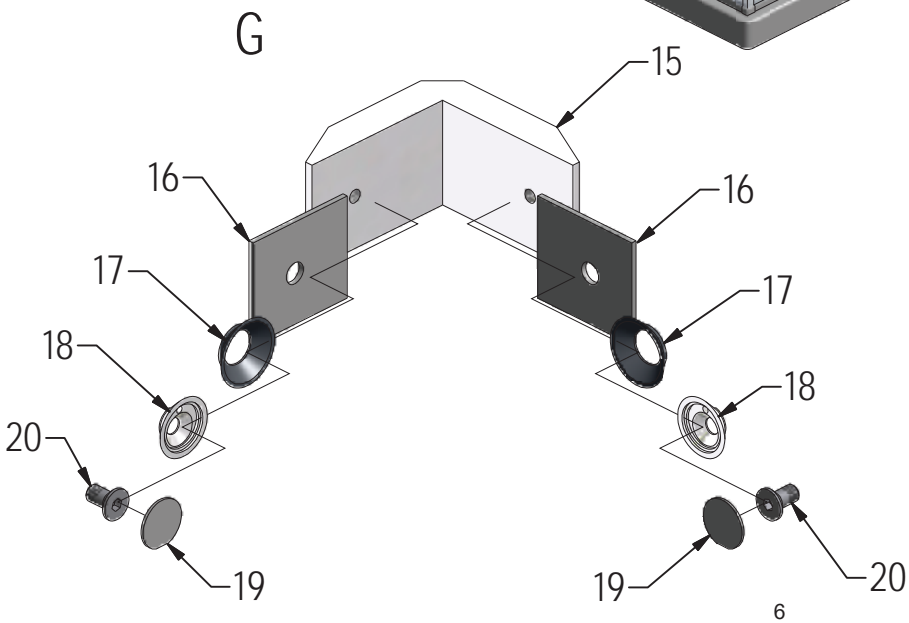
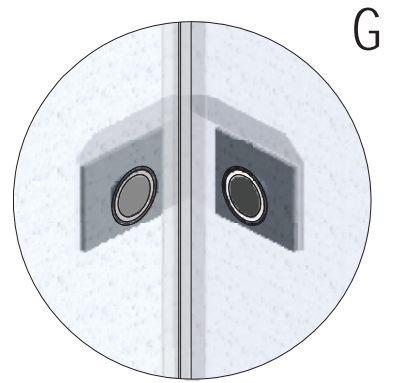
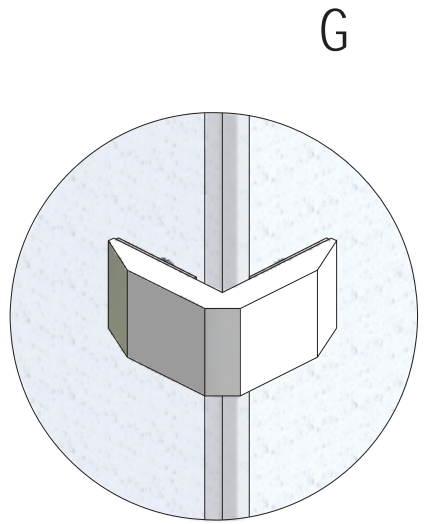
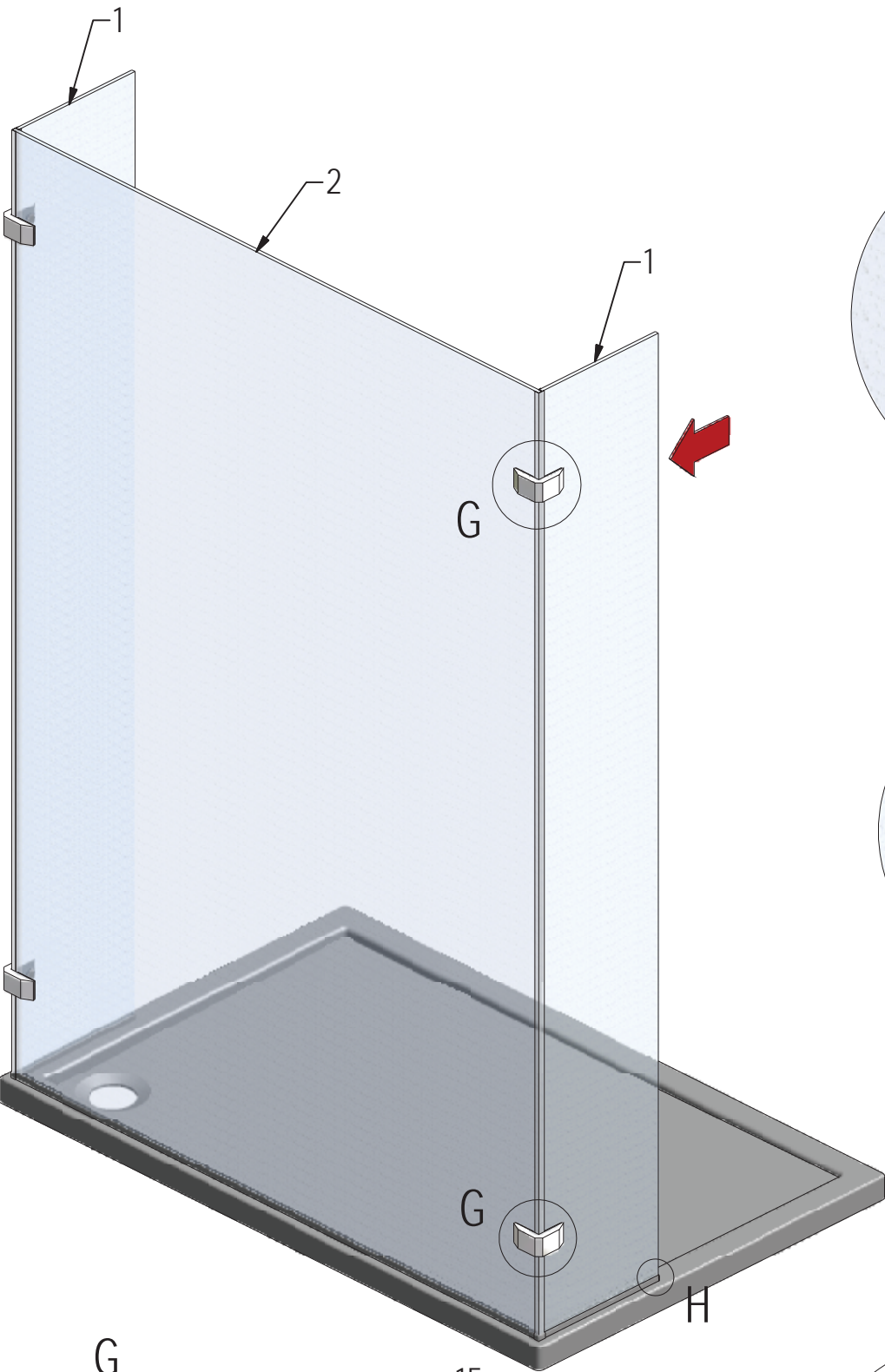
33. 4x  
MA1343

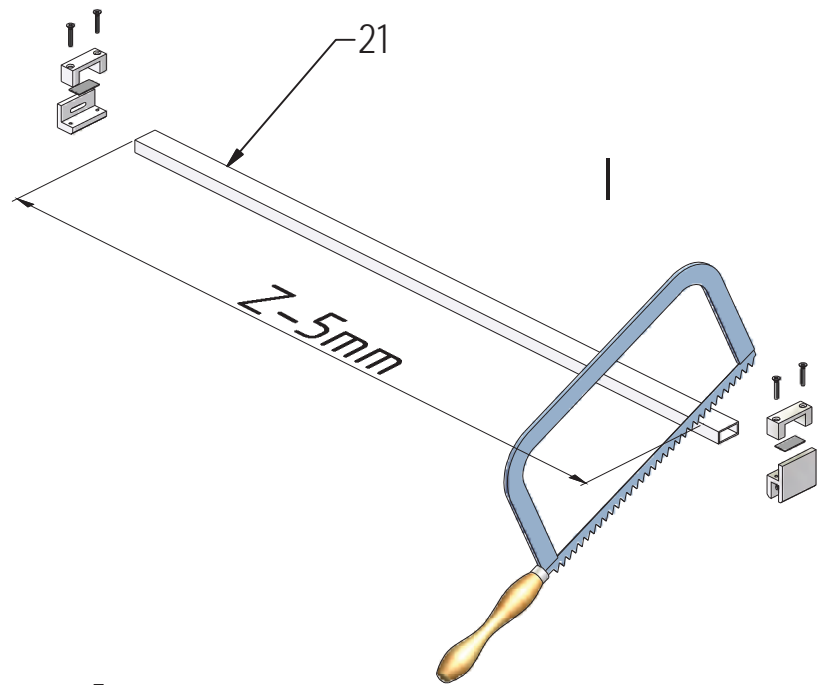
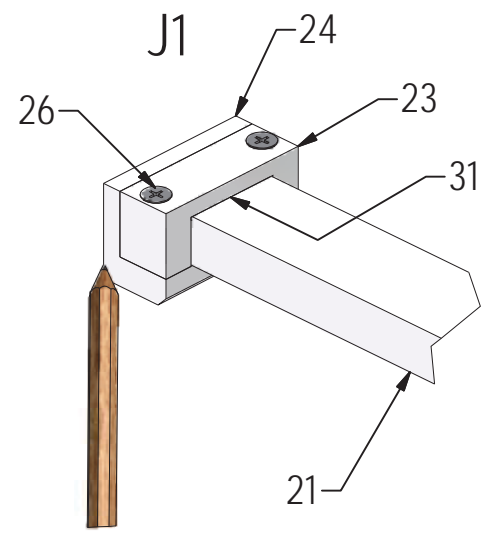
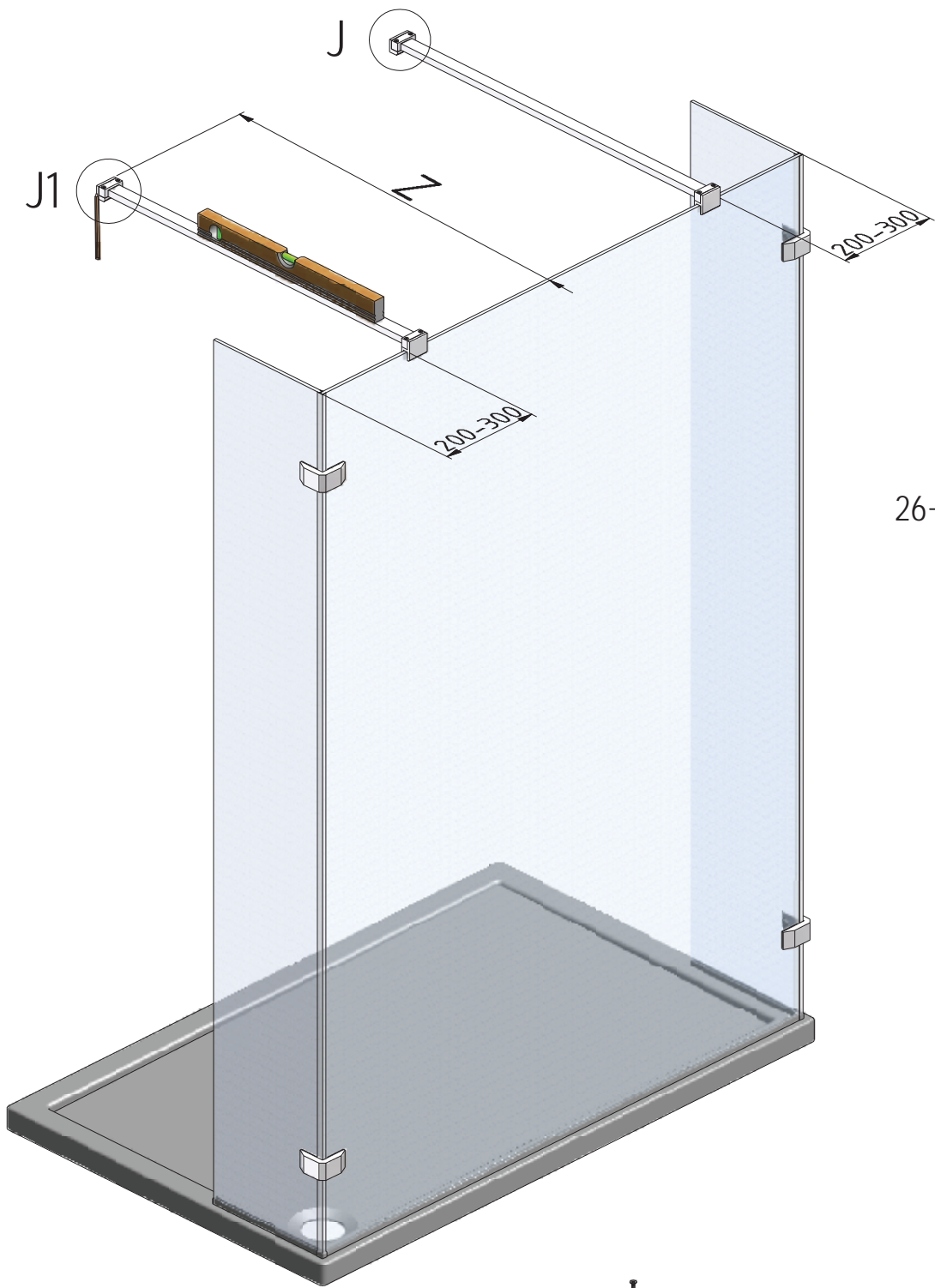




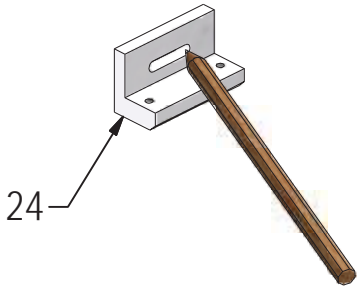




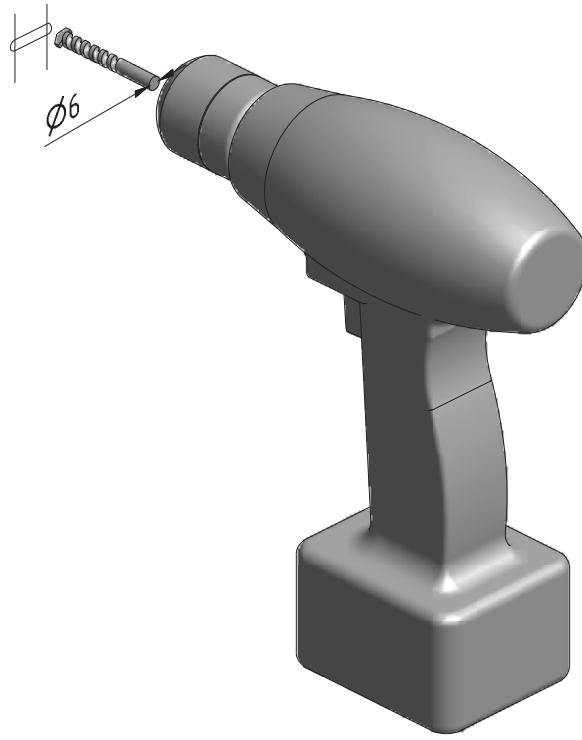




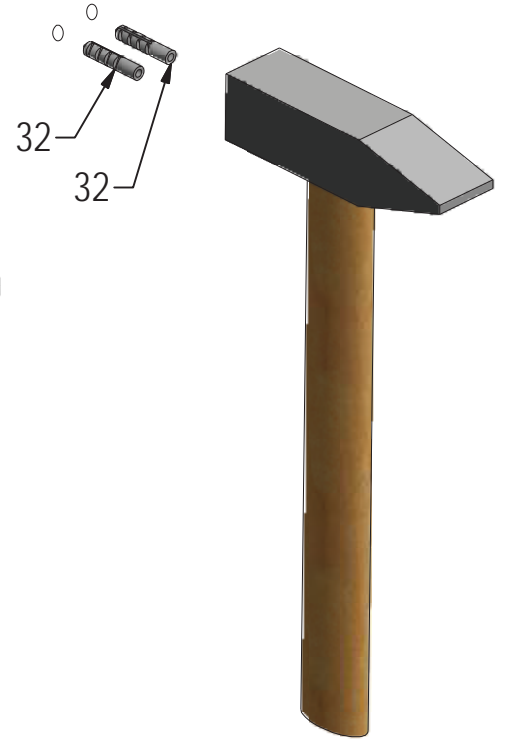
J2



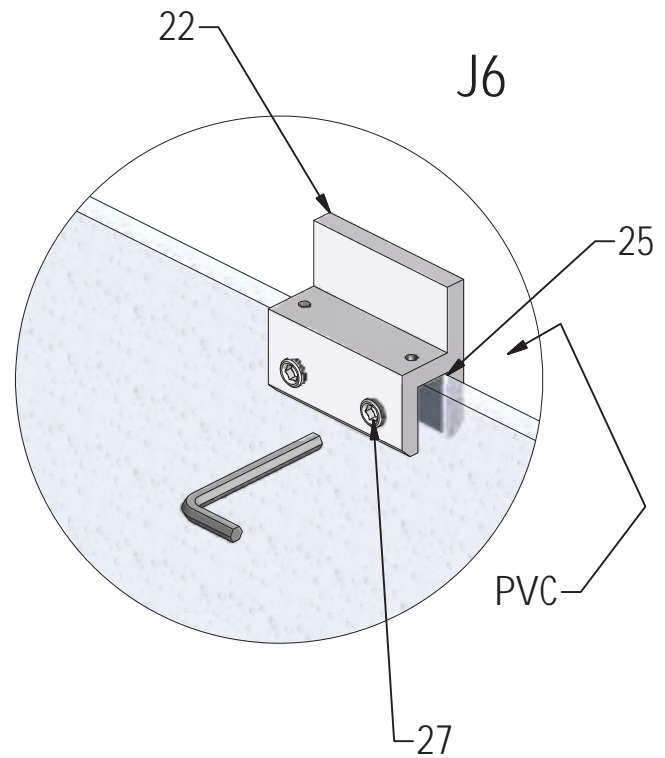
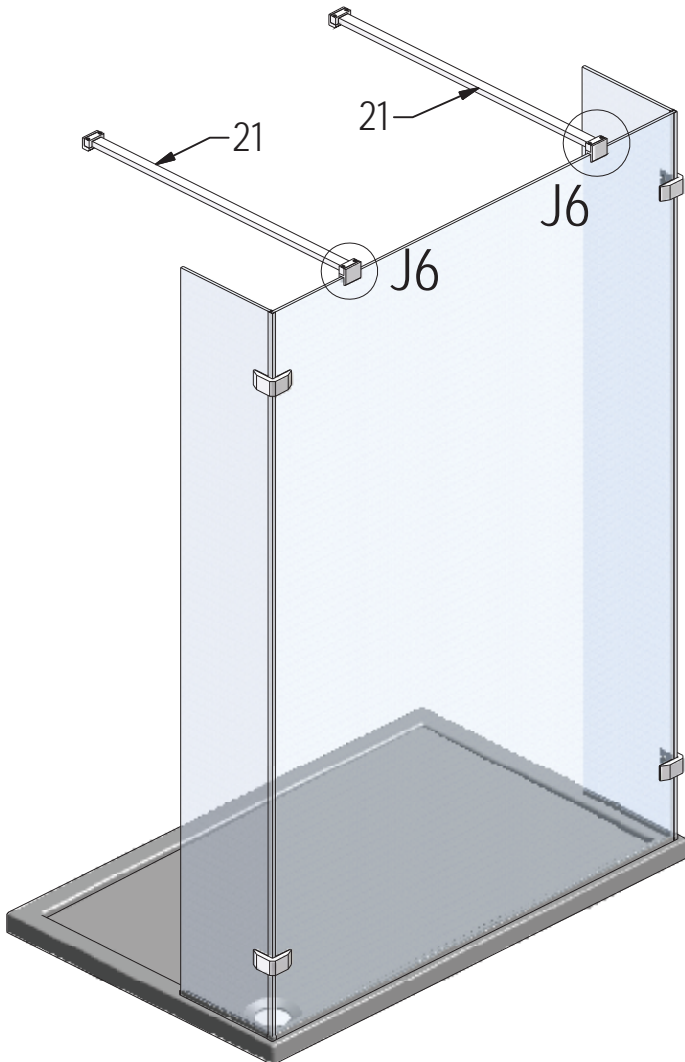
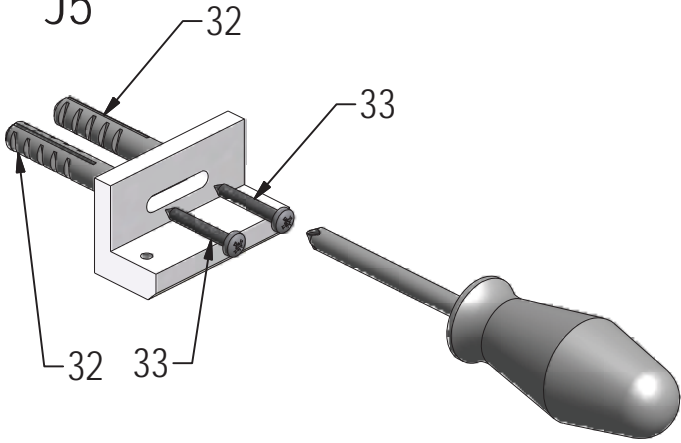
J3



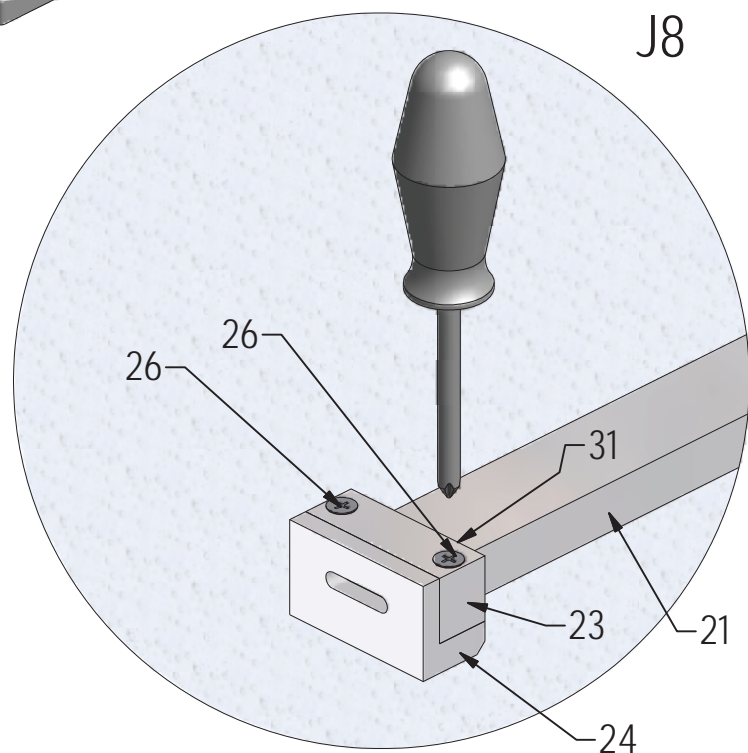
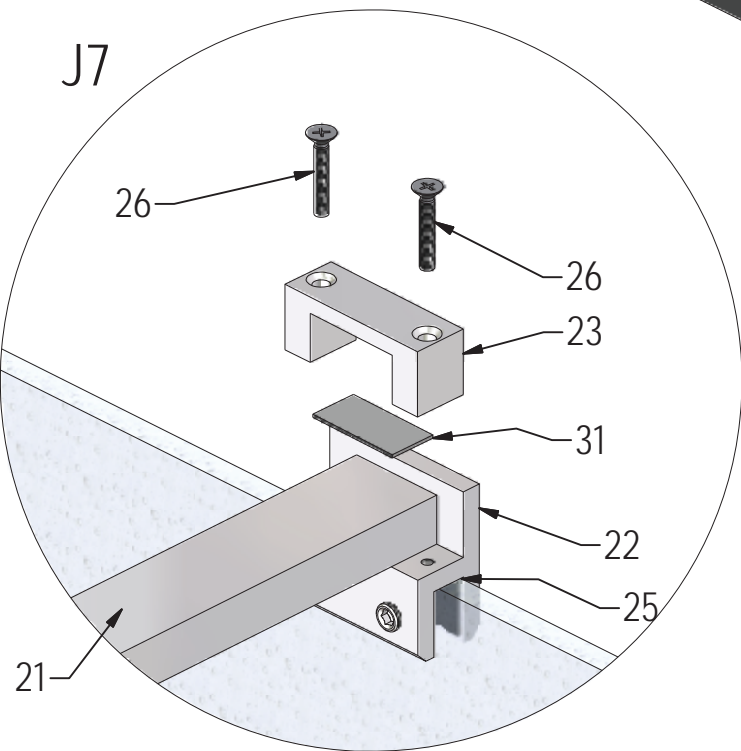
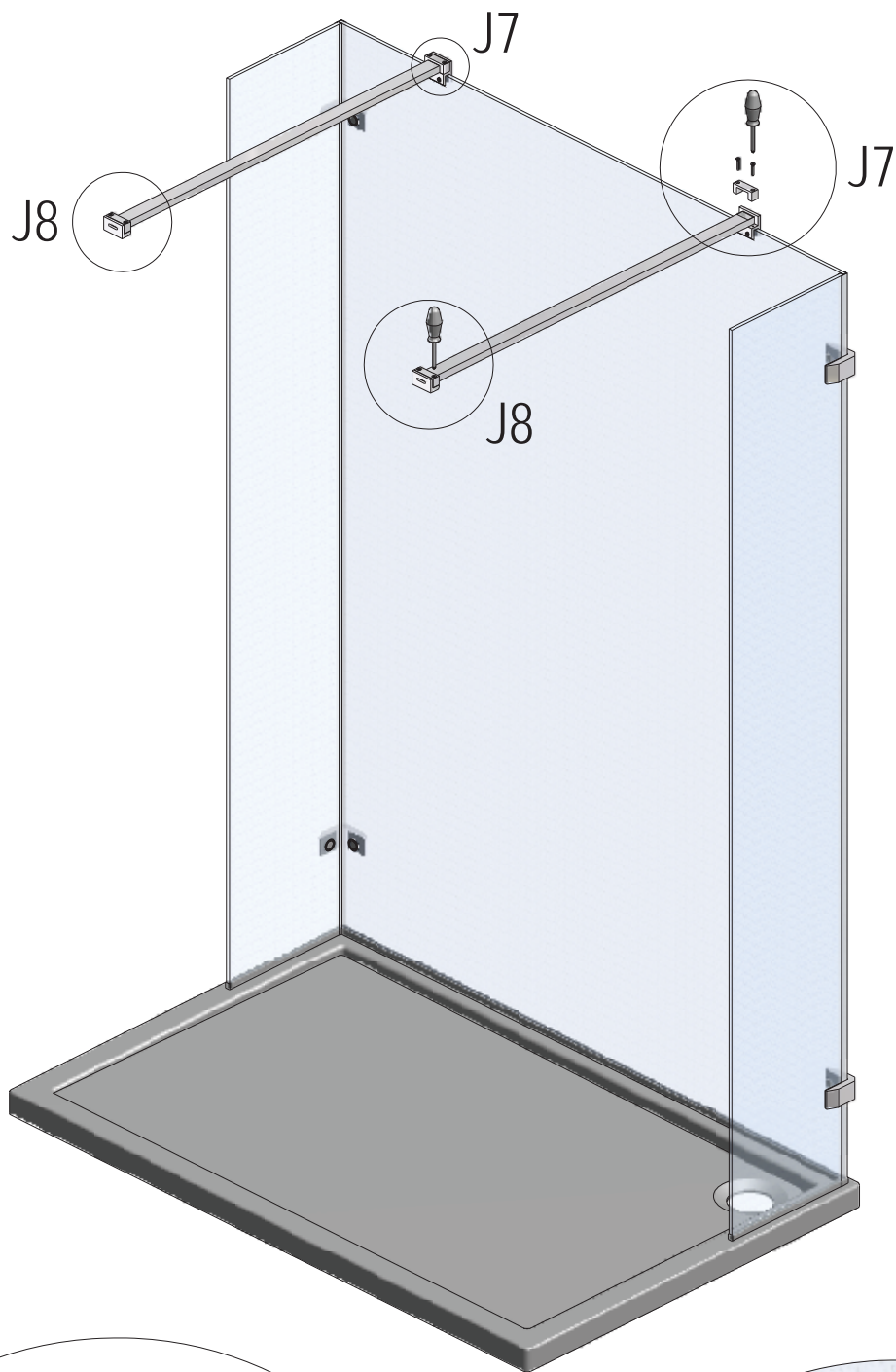
J4

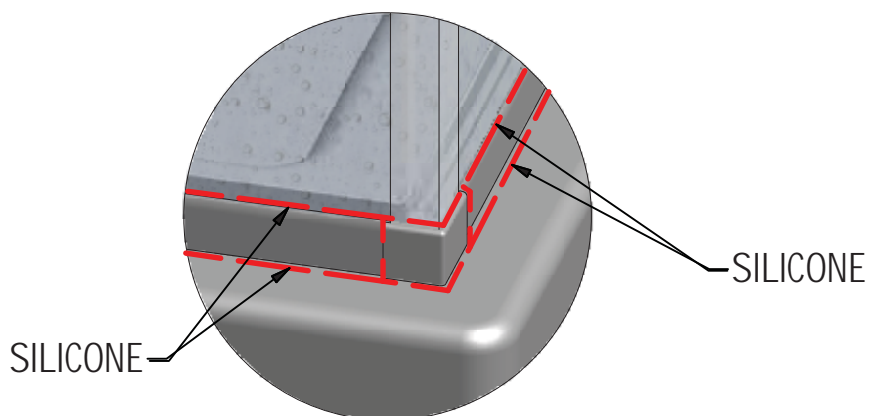
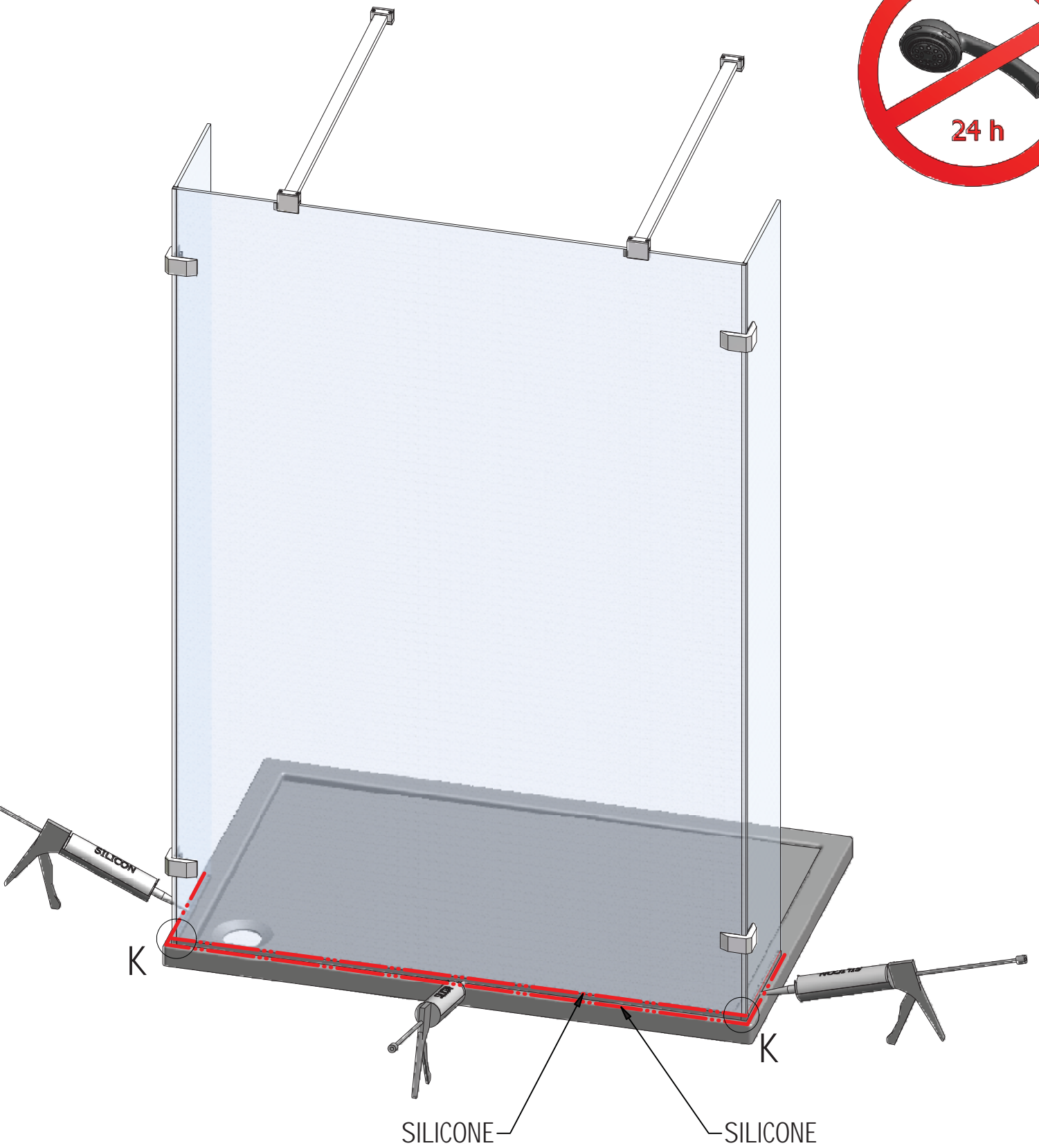


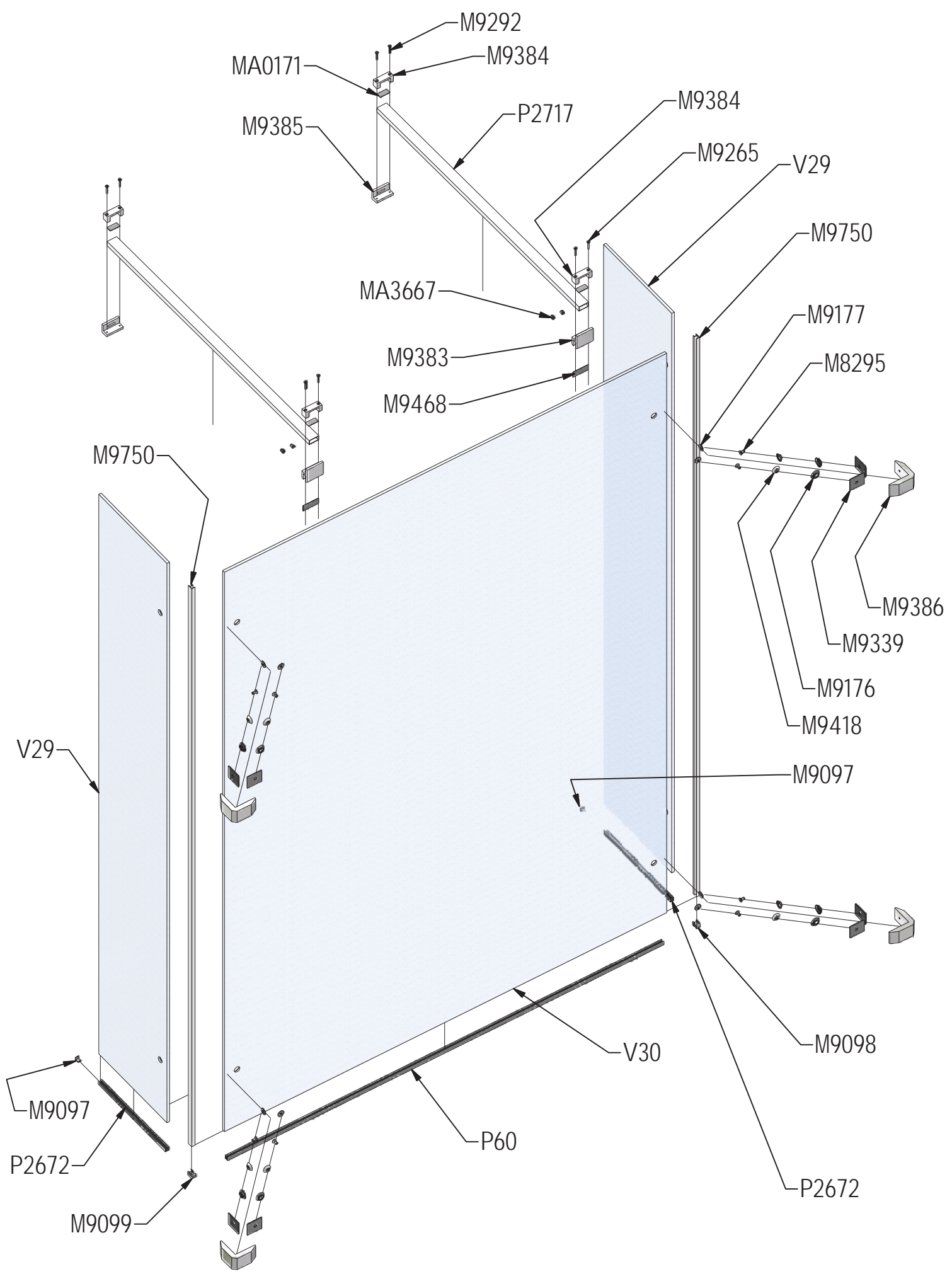
J5











P60	1000		P2722
	1200		P2723
	1400		P2673
	1500		P2724

V29		clear glass	ND03-0362-00-02
V30	1000	clear glass	ND03-0363-00-02
	1200	clear glass	ND03-0364-00-02
	1400	clear glass	ND03-0365-00-02
	1500	clear glass	ND03-0366-00-02