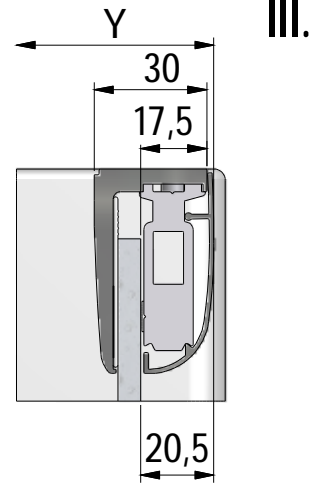
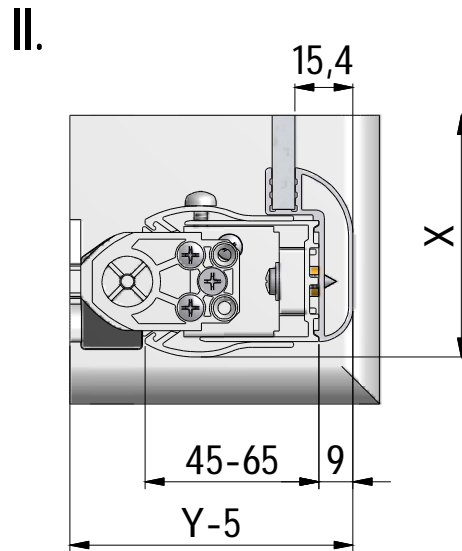
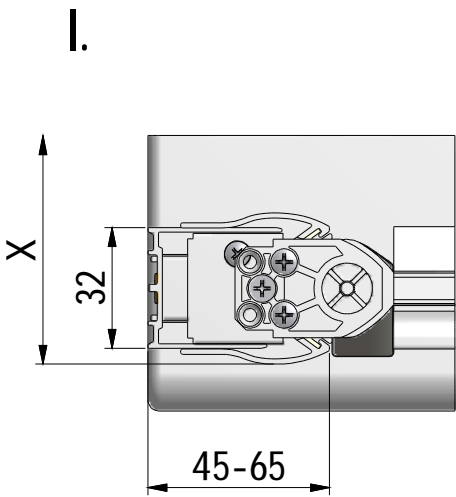
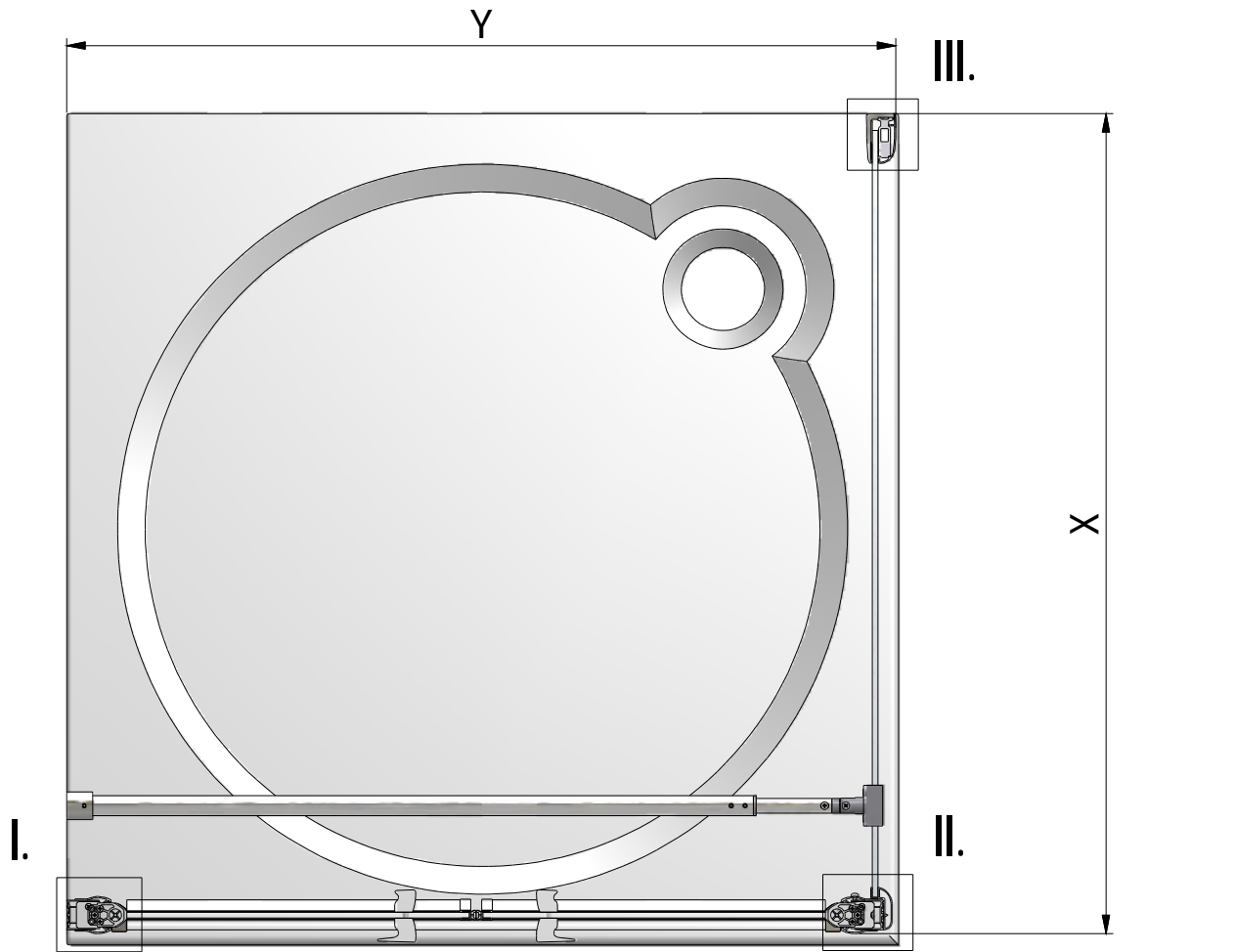


TCB+TCN2

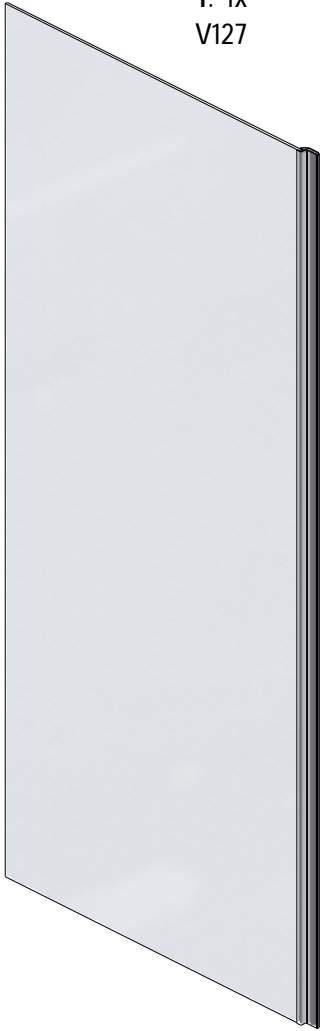


TCB+TCN2



	X (mm)		Y (mm)	
	MIN	MAX	MIN	MAX
800	775	800	795	835
900	875	900	895	935
1000	975	1000	995	1035
1100	-	-	1095	1135
1200	-	-	1195	1235

1. 1x
V127



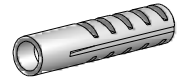
3. 1x



4. 1x
P32



6. 4x
M0511
n6



7. 4x
M0811
3,9x38



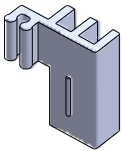
8. 4x
M5974



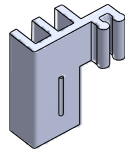
9. 4x
M5975



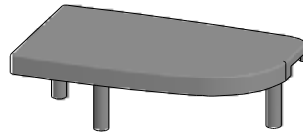
10. 4x
M5924



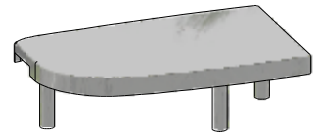
11. 4x
M5925



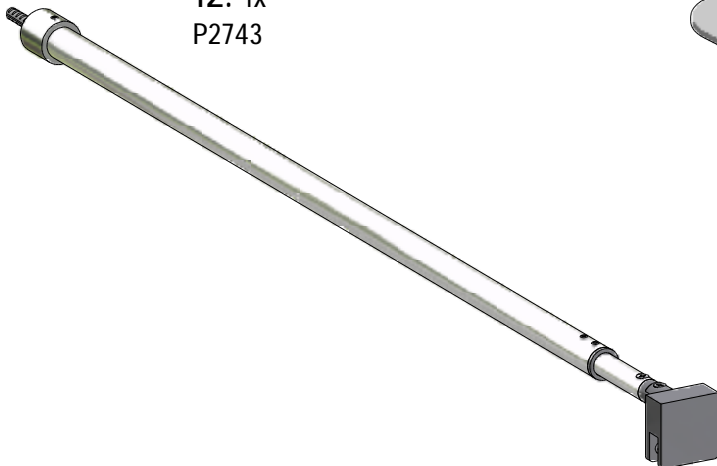
25. 1x
M5926



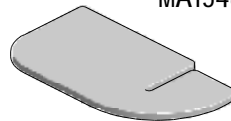
26. 1x
M5927



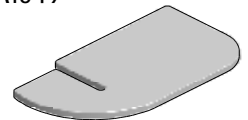
12. 1x
P2743



13. 1x
MA1548



14. 1x
MA1549

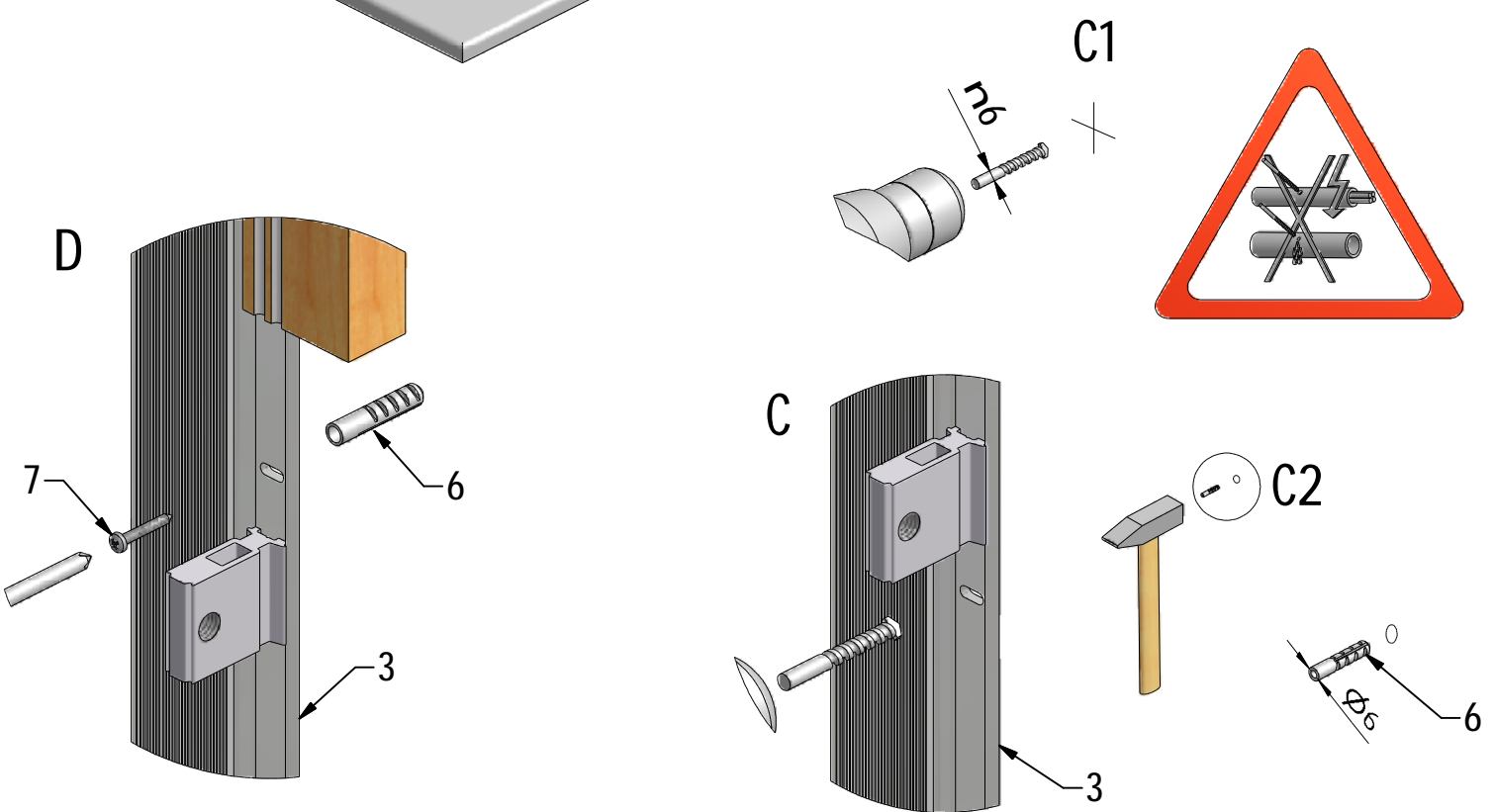
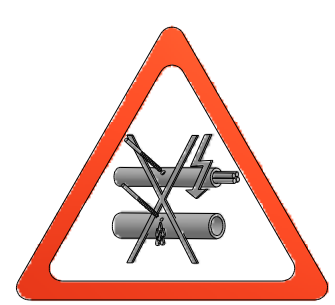
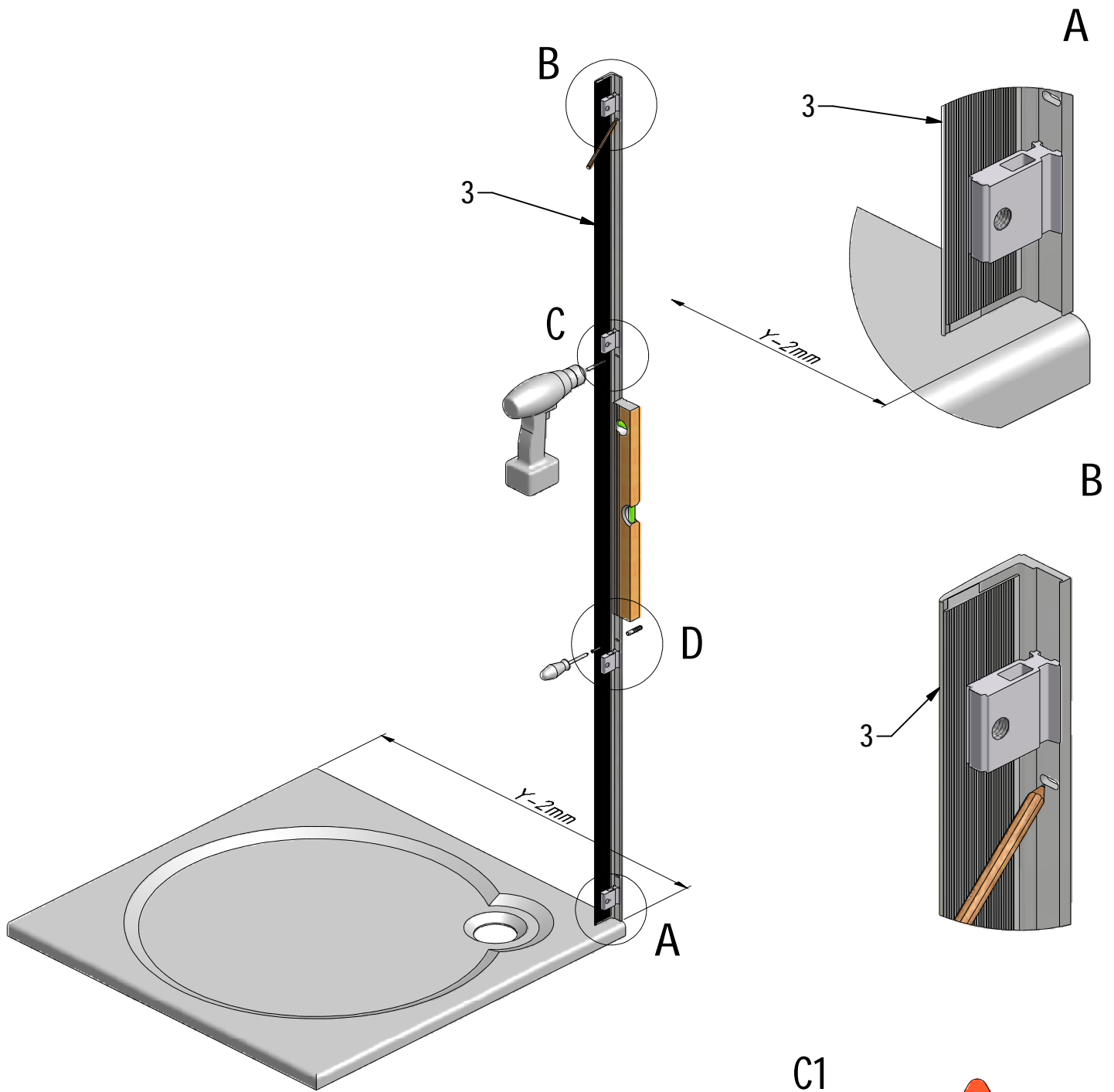


15. 2x
M0806

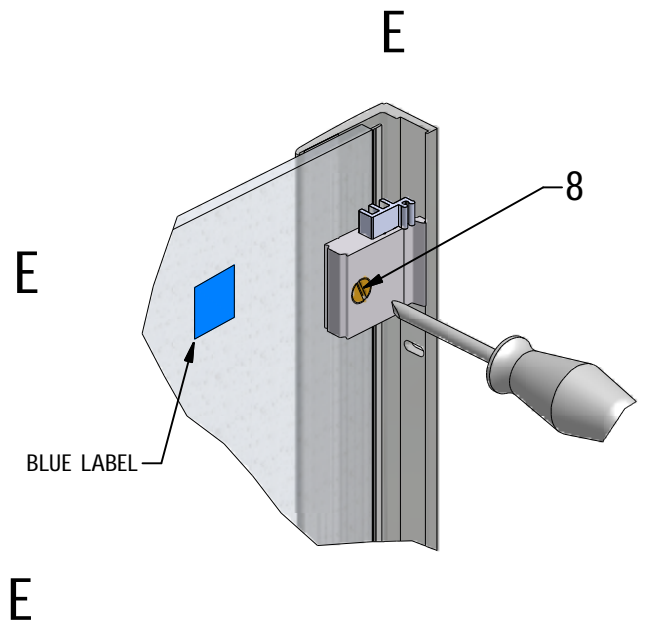
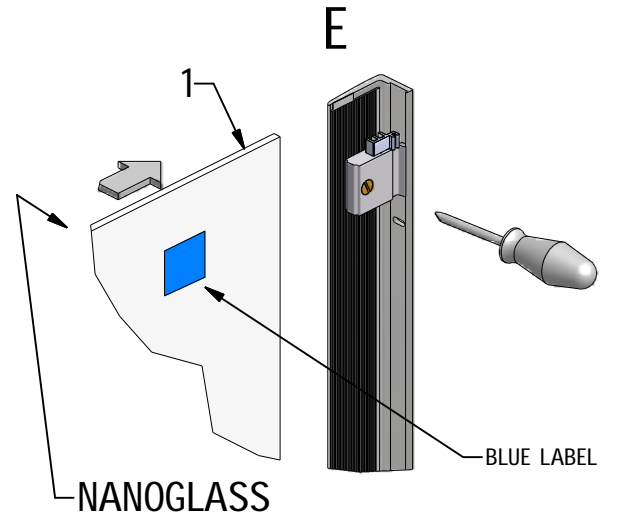
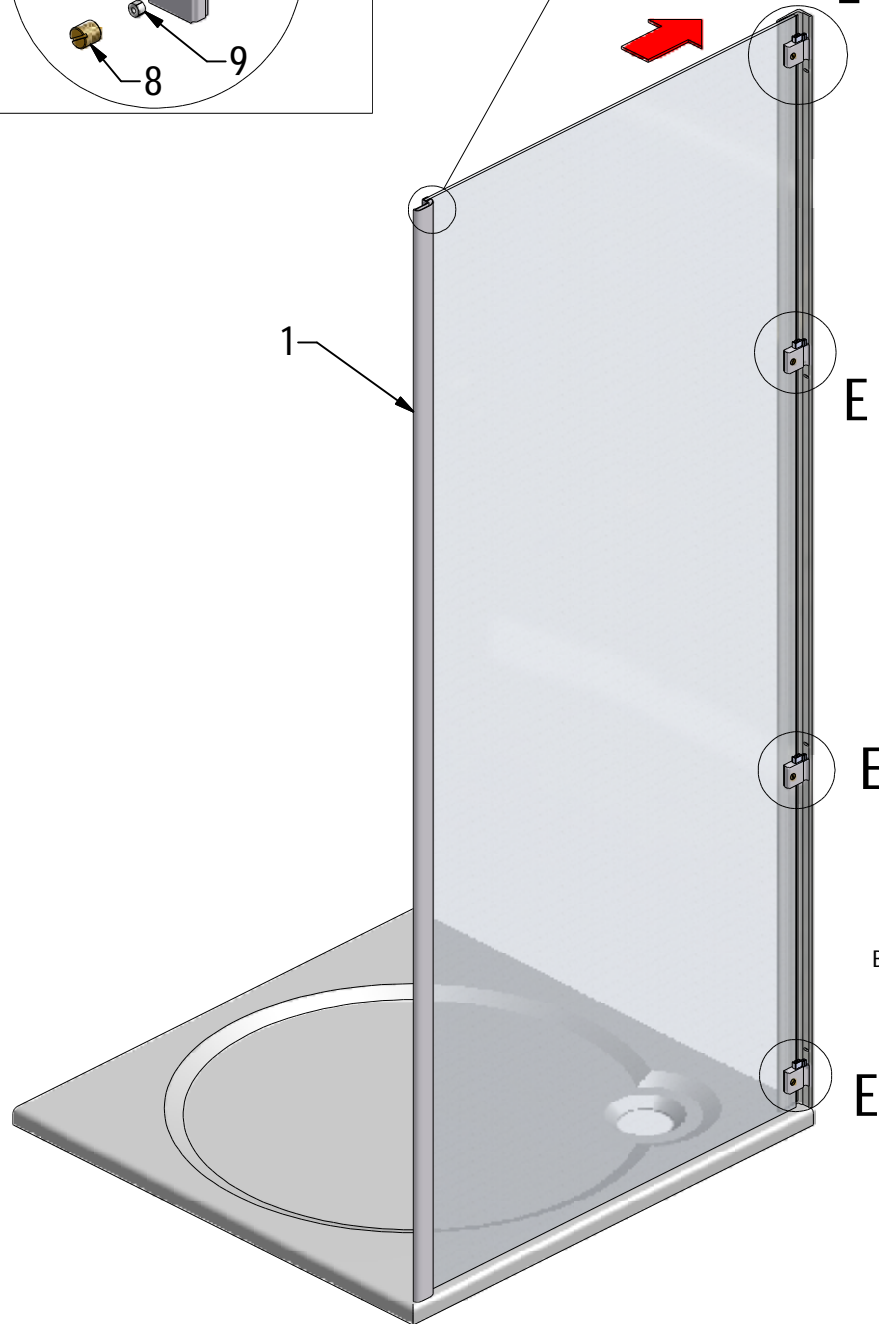
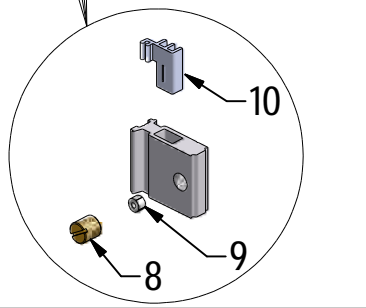
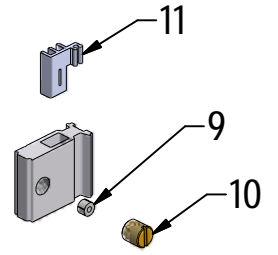
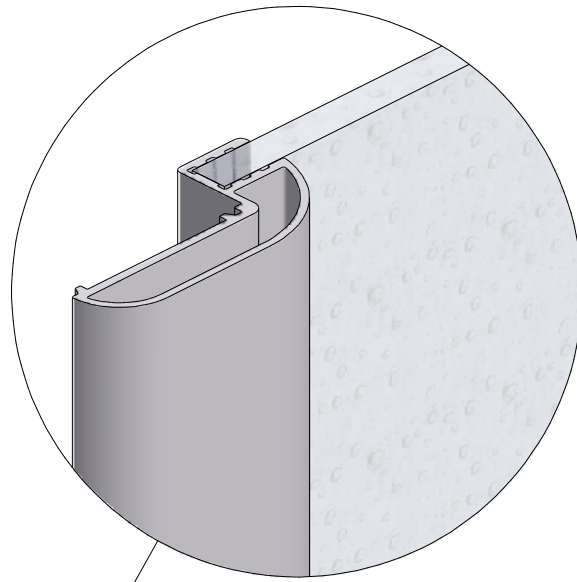
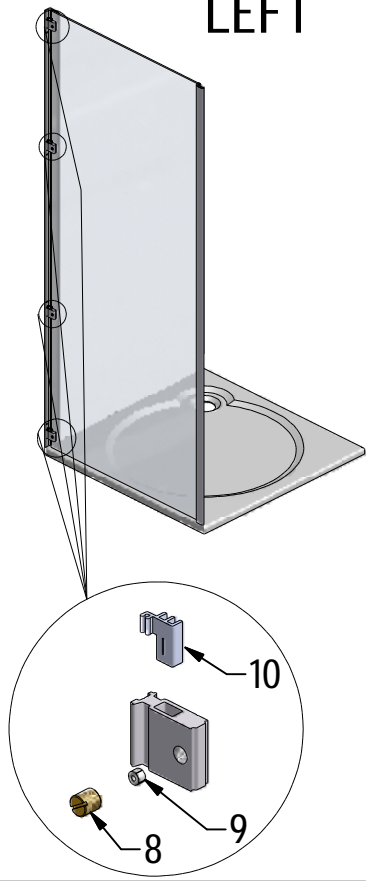


16. 4x
M0789

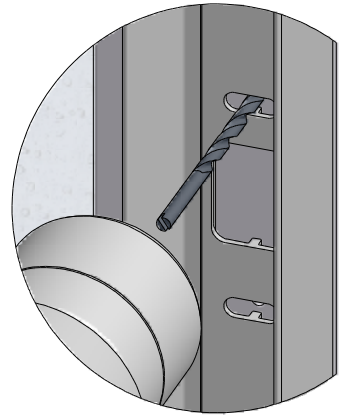




LEFT



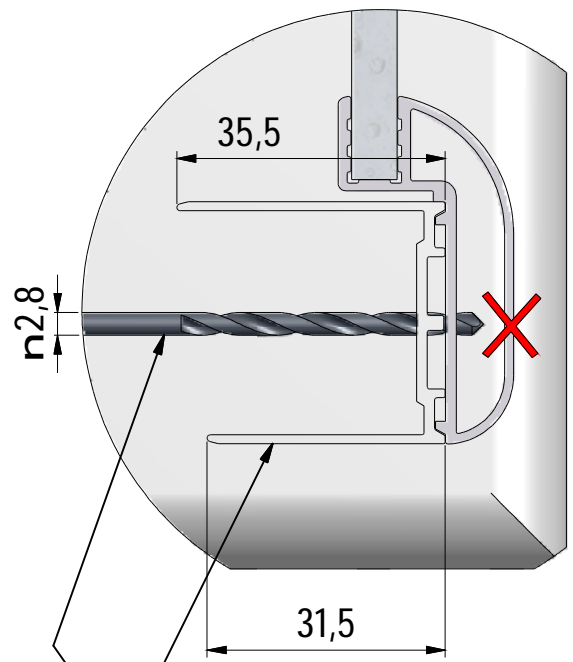
F (1 : 1,5)



F

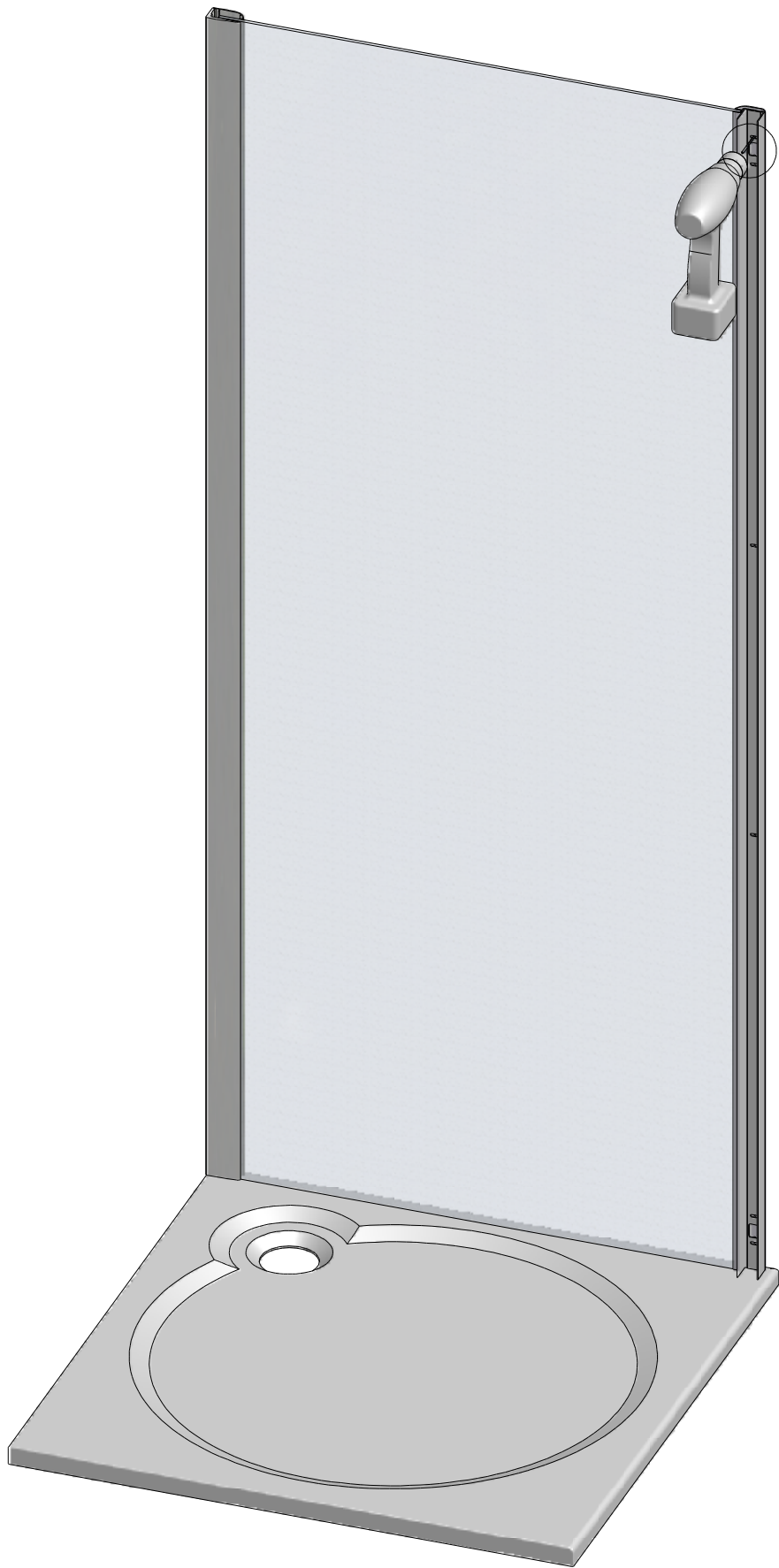
F (1 : 1)

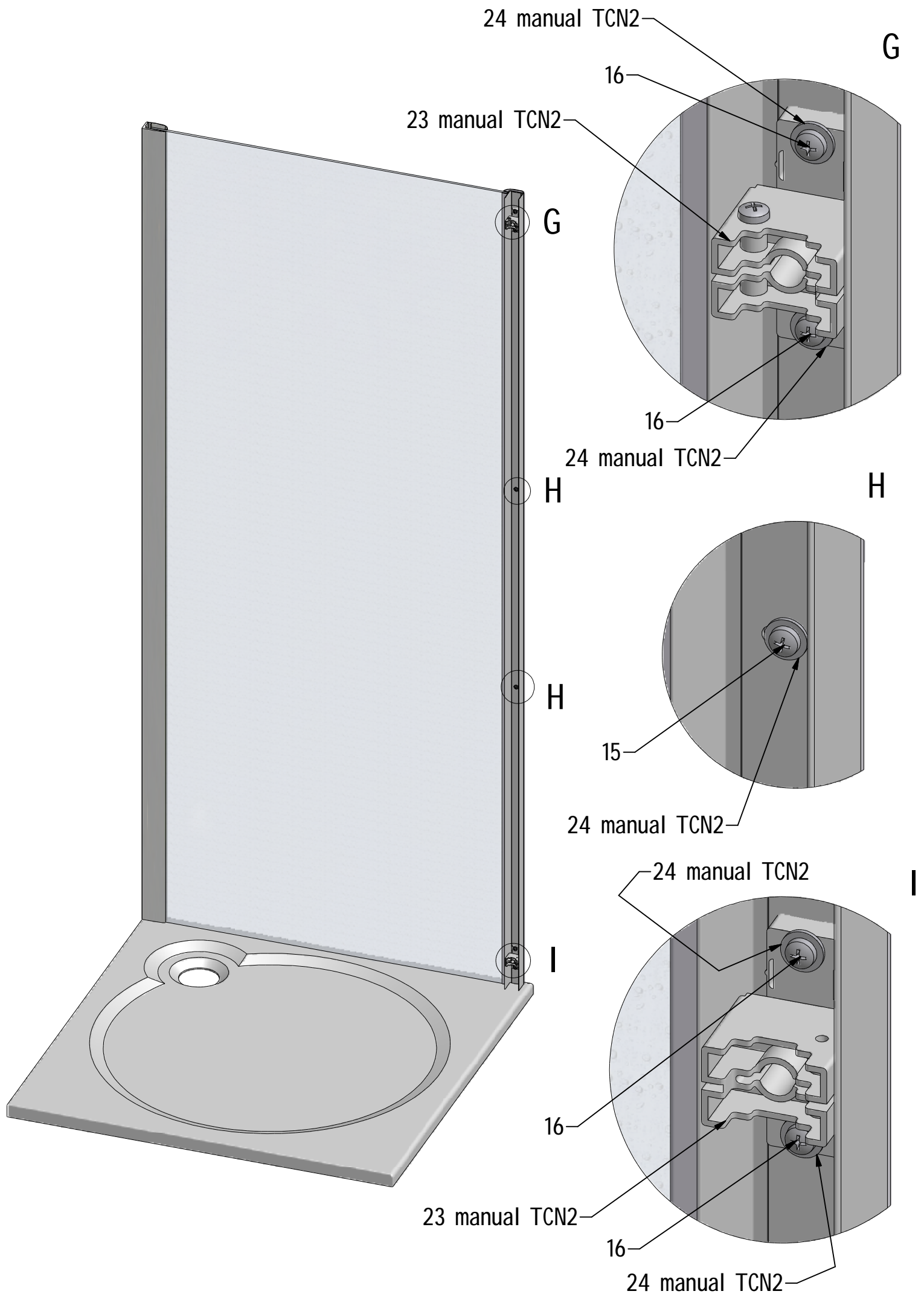
6x



3 manual TCN2

25 manual TCN2



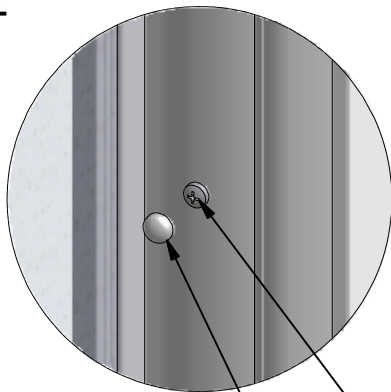




instruction manual TCN2



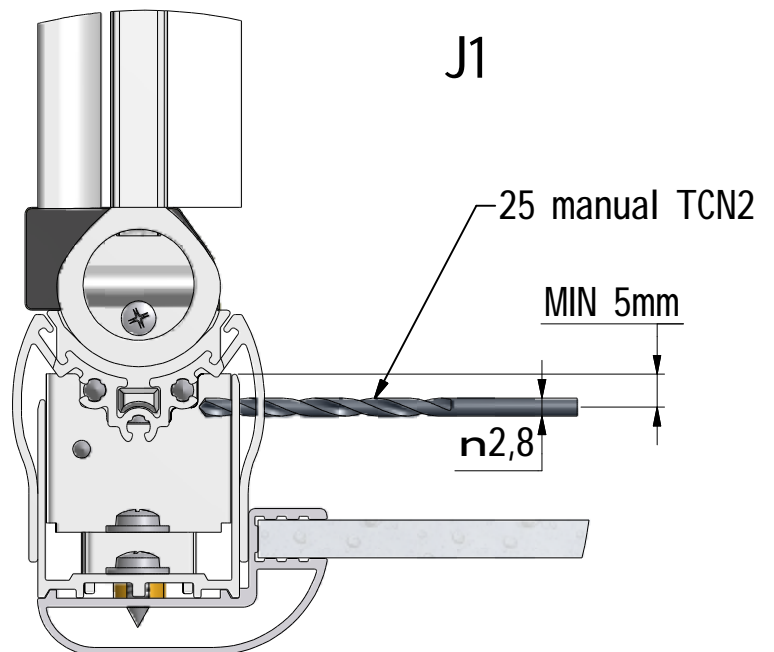
J2



26 manual TCN2

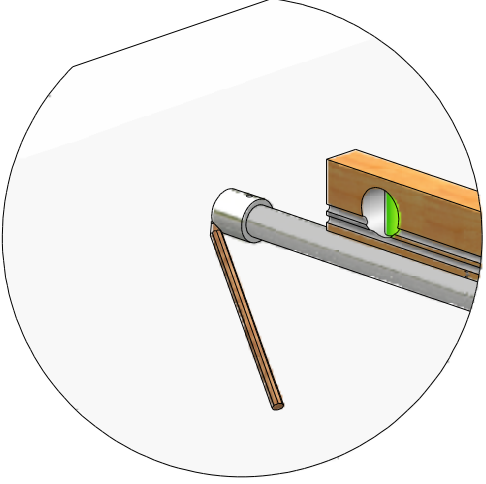
27 manual TCN2

J1

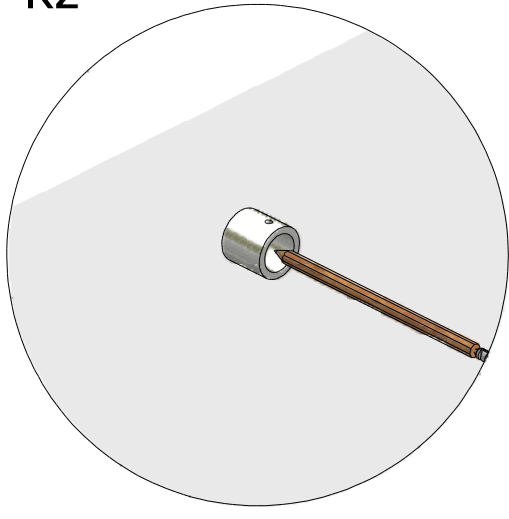




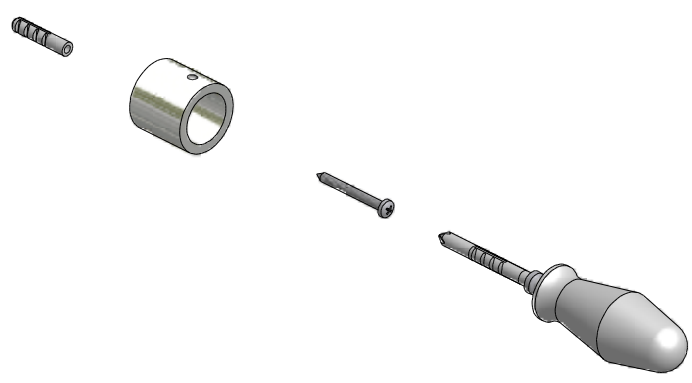
K1



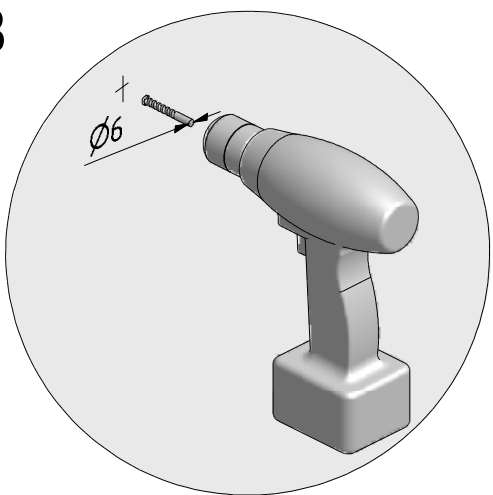
K2



K4

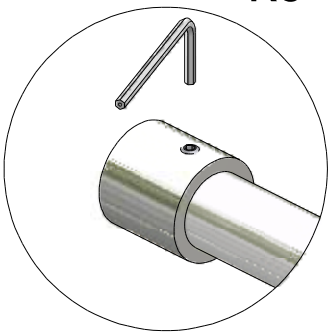


K3

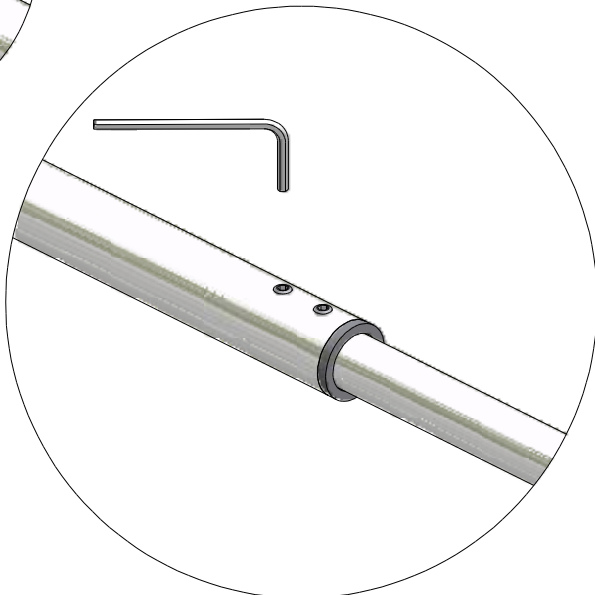




K5



K6



K7

