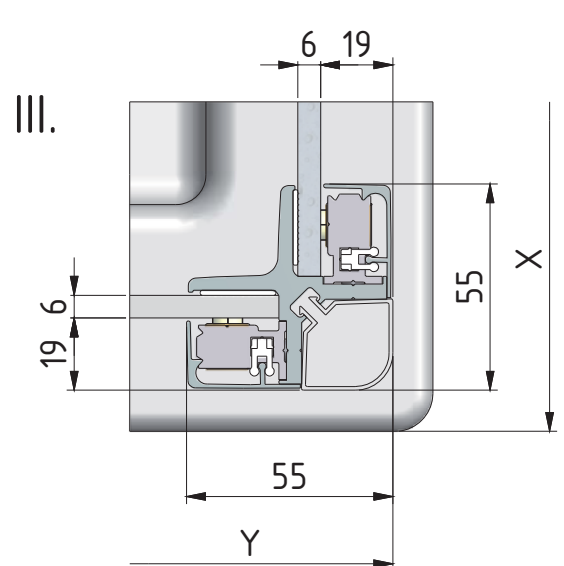
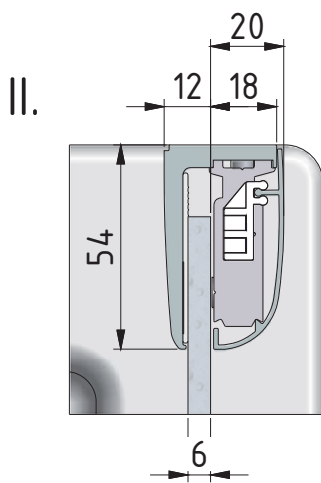
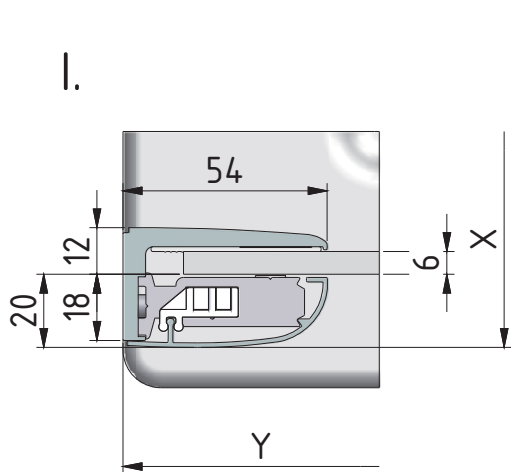
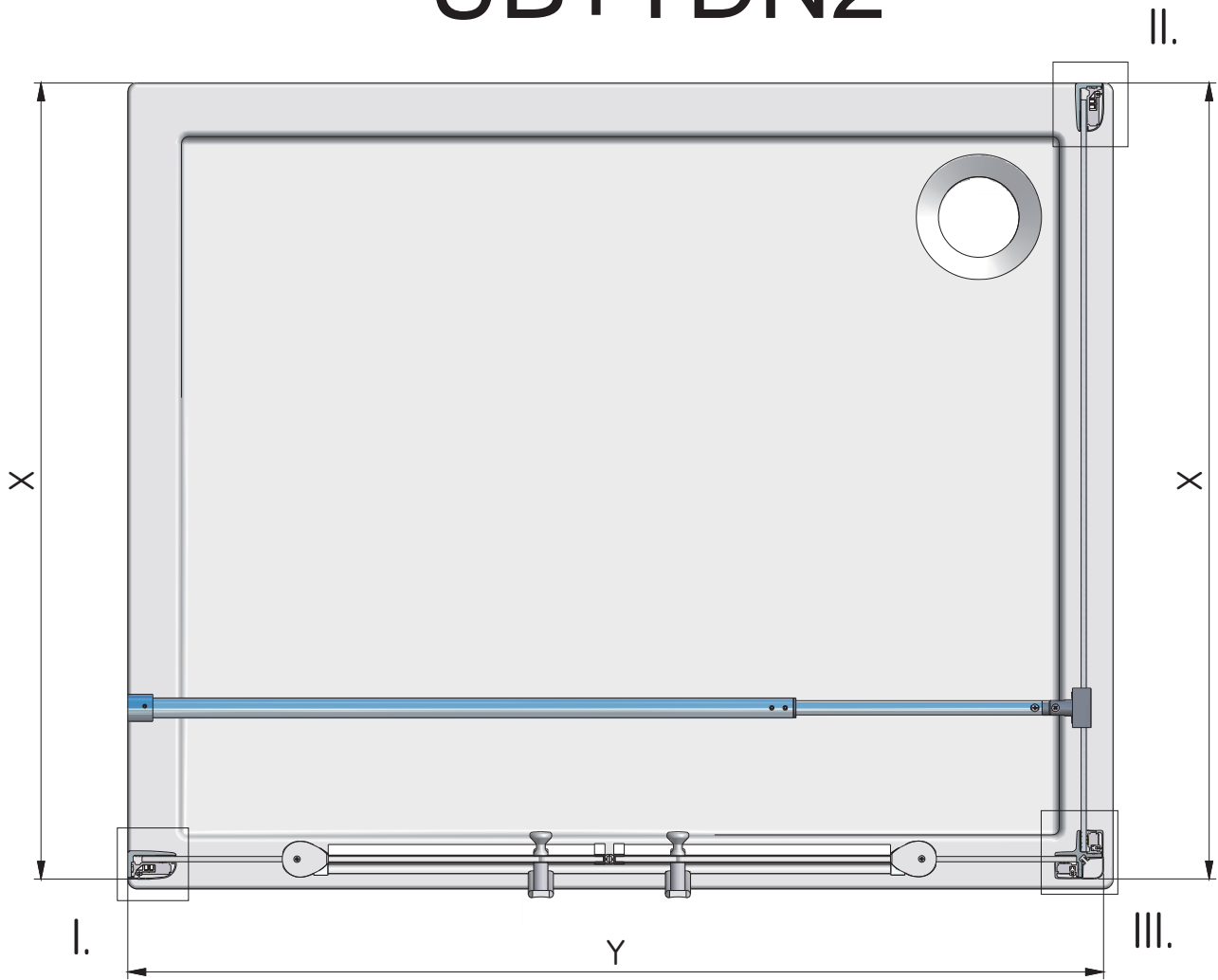
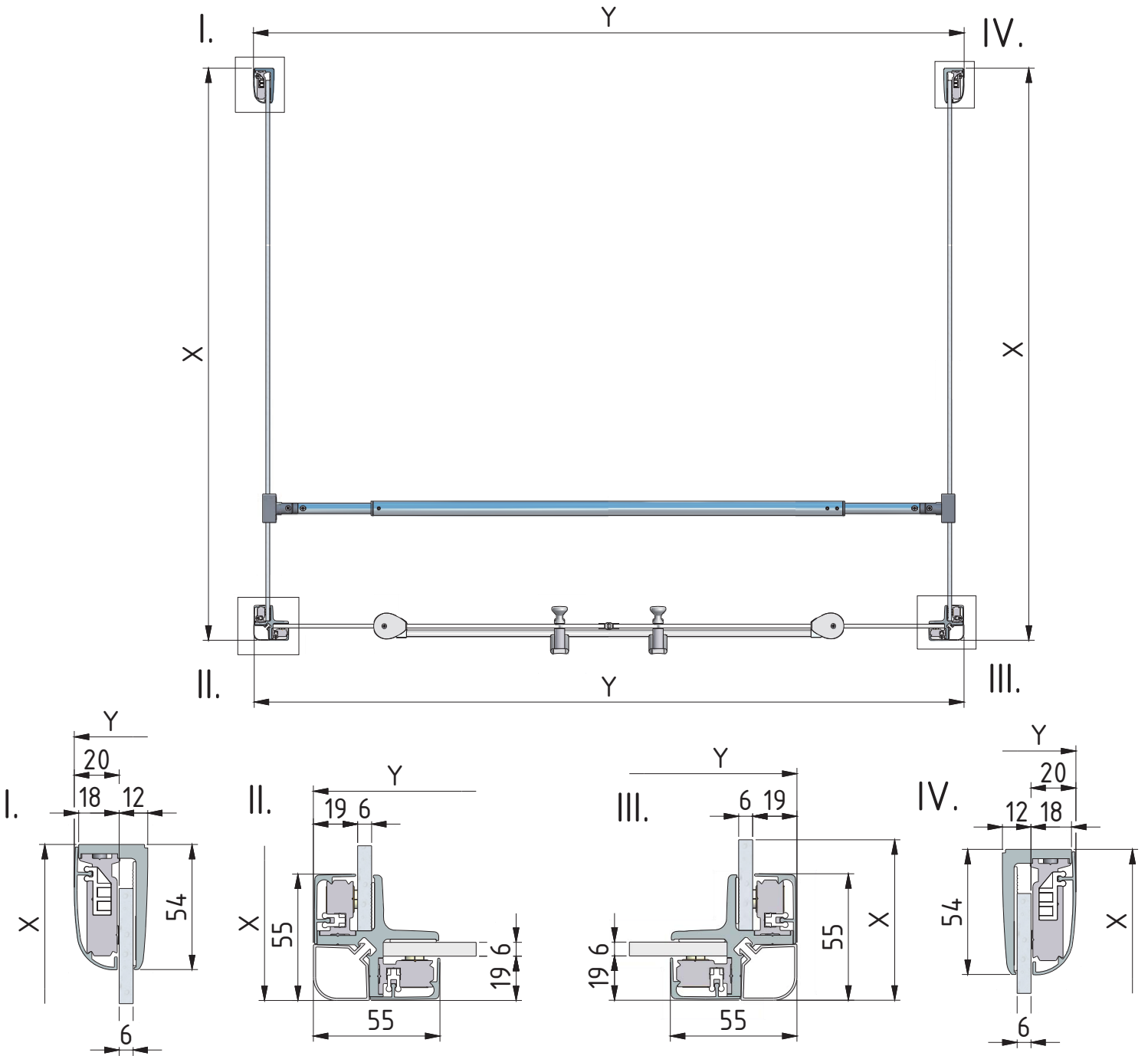


UB+TDN2



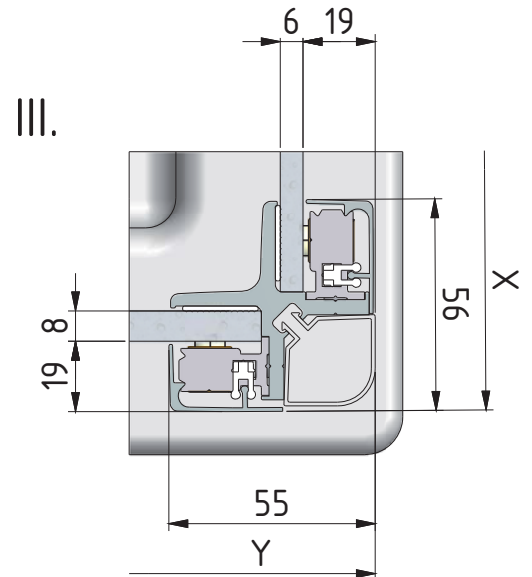
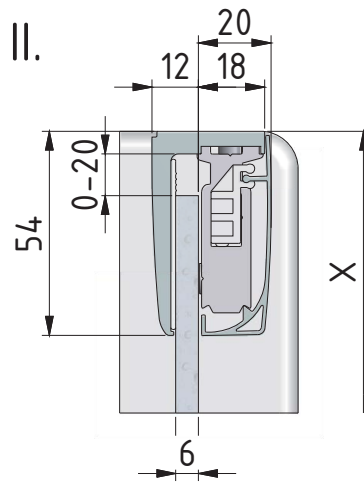
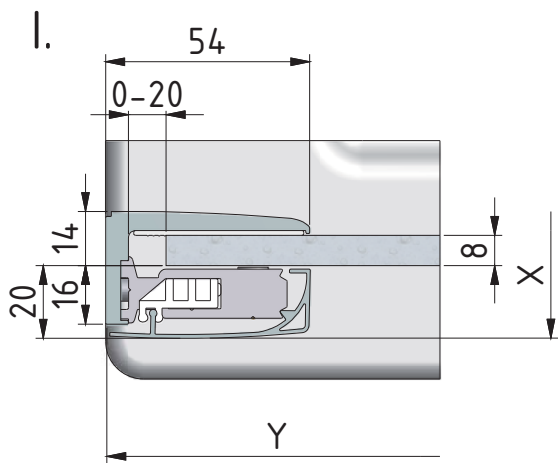
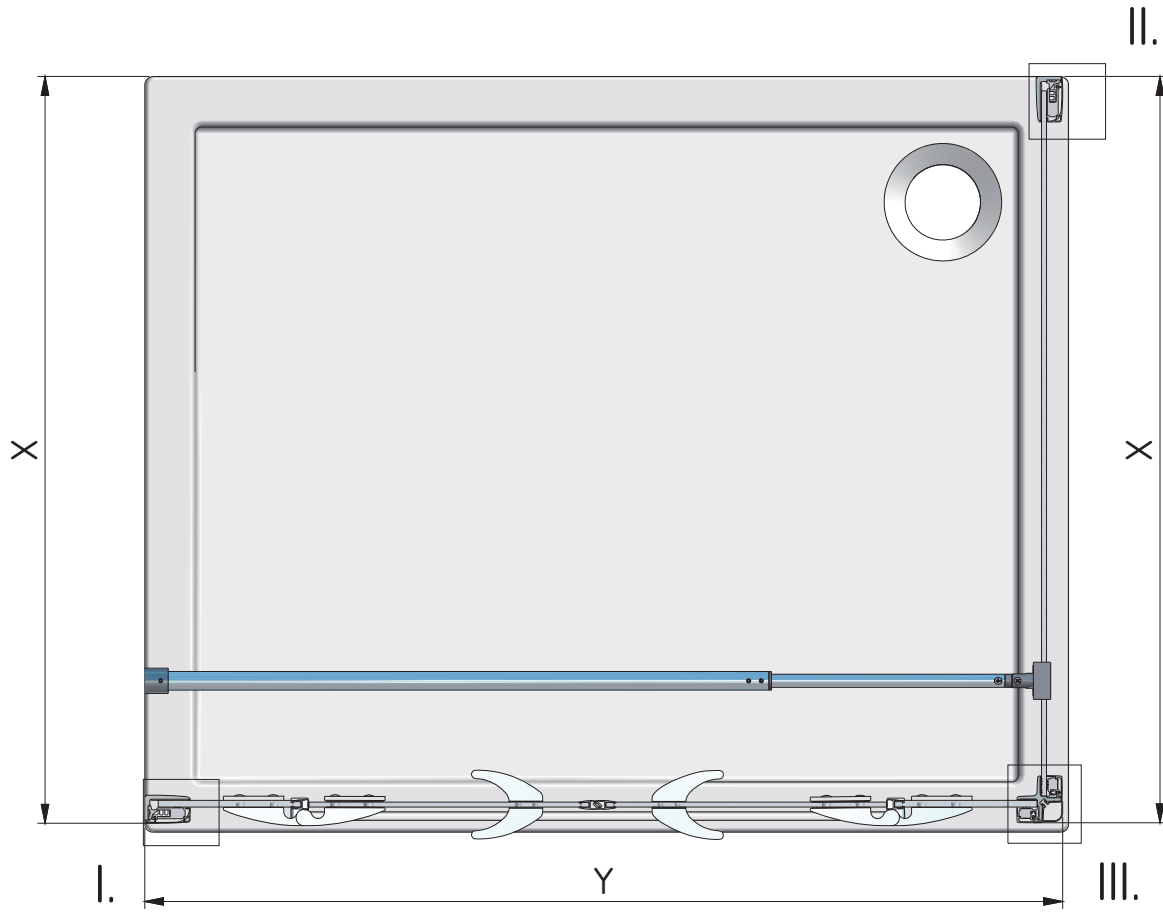
| | X (mm) | | Y (mm) | |
|------|--------|-----|--------|------|
| | MIN | MAX | MIN | MAX |
| 800 | 780 | 795 | - | - |
| 900 | 880 | 895 | - | - |
| 1000 | 980 | 995 | - | - |
| 1100 | - | - | 1080 | 1110 |
| 1200 | - | - | 1180 | 1210 |
| 1300 | - | - | 1280 | 1310 |
| 1400 | - | - | 1380 | 1410 |
| 1500 | - | - | 1480 | 1510 |

UB+TDN2+UB



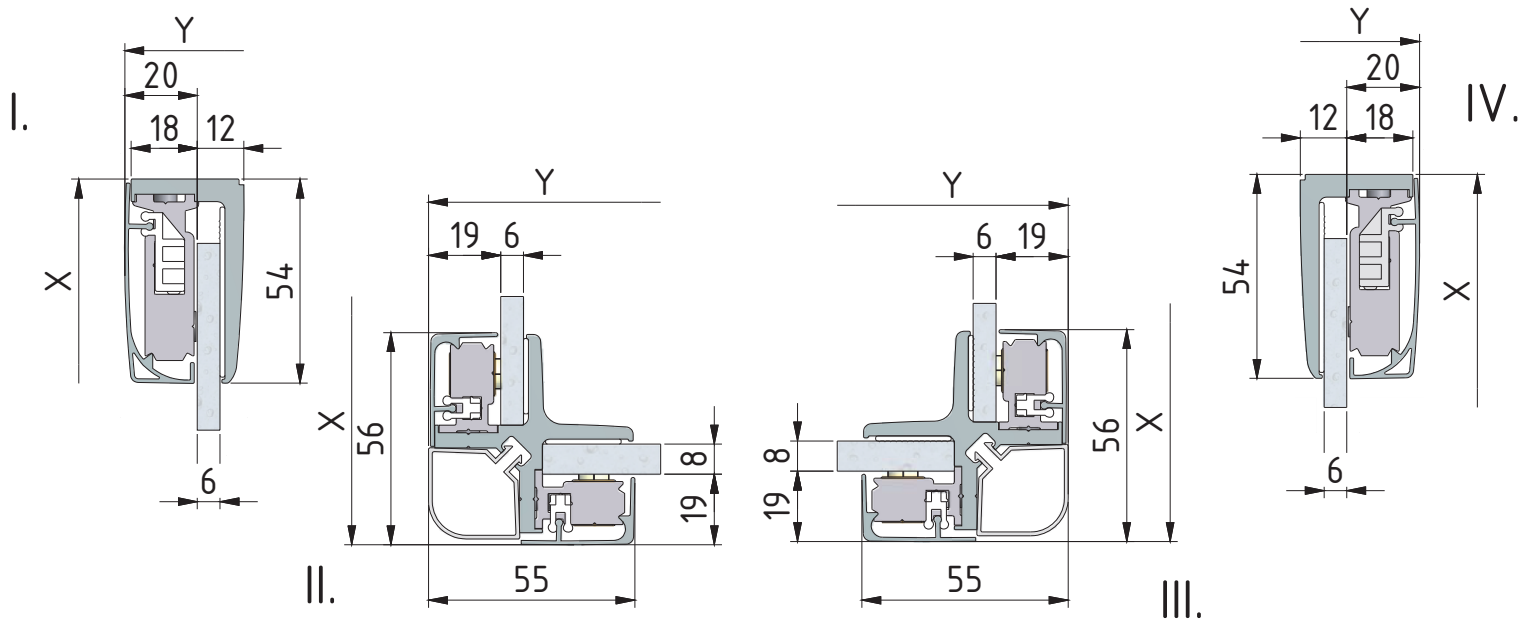
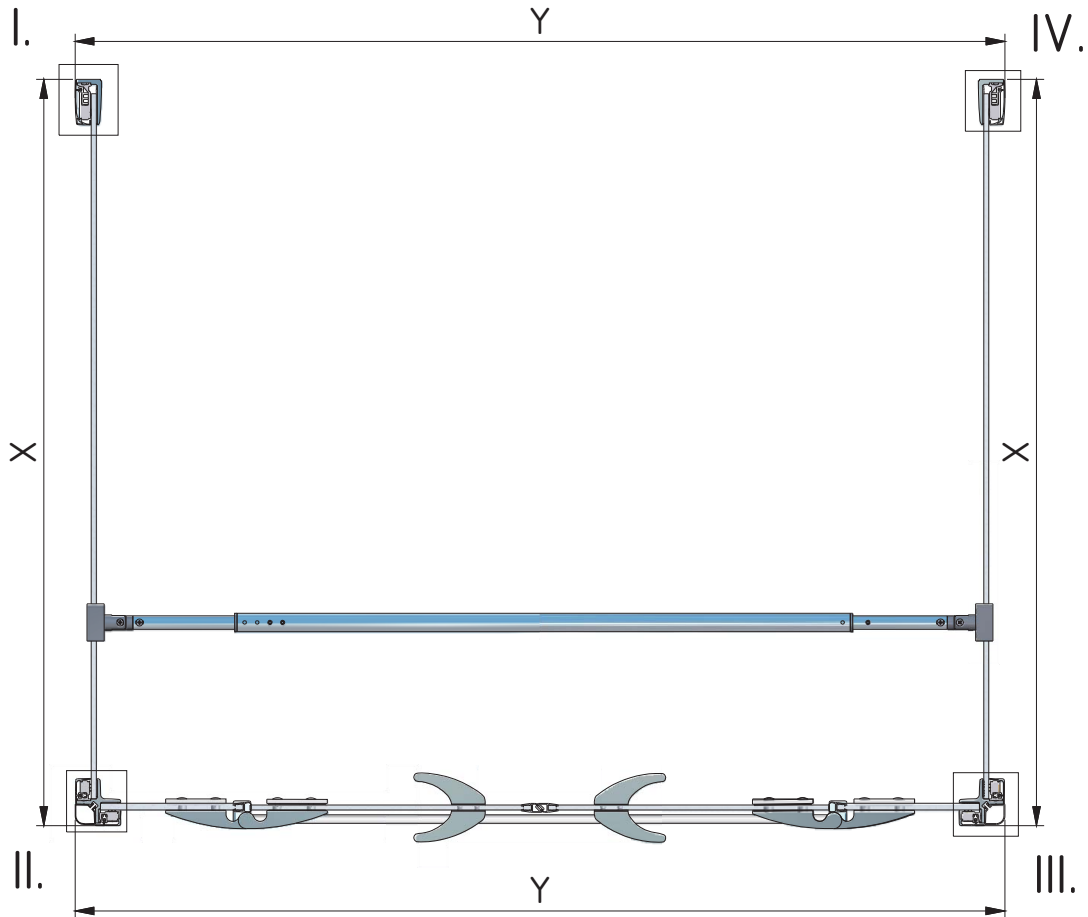
| | X (mm) | | Y (mm) | |
|------|--------|-----|--------|------|
| | MIN | MAX | MIN | MAX |
| 800 | 780 | 795 | - | - |
| 900 | 880 | 895 | - | - |
| 1000 | 980 | 995 | - | - |
| 1100 | - | - | 1104 | 1125 |
| 1200 | - | - | 1204 | 1225 |
| 1300 | - | - | 1304 | 1325 |
| 1400 | - | - | 1404 | 1425 |
| 1500 | - | - | 1504 | 1525 |

UB+GDN2



| | X (mm) | | Y (mm) | |
|------|--------|-----|--------|------|
| | MIN | MAX | MIN | MAX |
| 800 | 780 | 795 | - | - |
| 900 | 880 | 895 | - | - |
| 1000 | 980 | 995 | - | - |
| 1100 | - | - | 1085 | 1115 |
| 1200 | - | - | 1185 | 1215 |
| 1300 | - | - | 1285 | 1315 |
| 1400 | - | - | 1385 | 1415 |
| 1500 | - | - | 1485 | 1515 |

UB+GDN2+UB



| | X (mm) | | Y (mm) | |
|------|--------|-----|--------|------|
| | MIN | MAX | MIN | MAX |
| 800 | 780 | 795 | - | - |
| 900 | 880 | 895 | - | - |
| 1000 | 980 | 995 | - | - |
| 1100 | - | - | 1108 | 1130 |
| 1200 | - | - | 1208 | 1230 |
| 1300 | - | - | 1308 | 1330 |
| 1400 | - | - | 1408 | 1430 |
| 1500 | - | - | 1508 | 1530 |