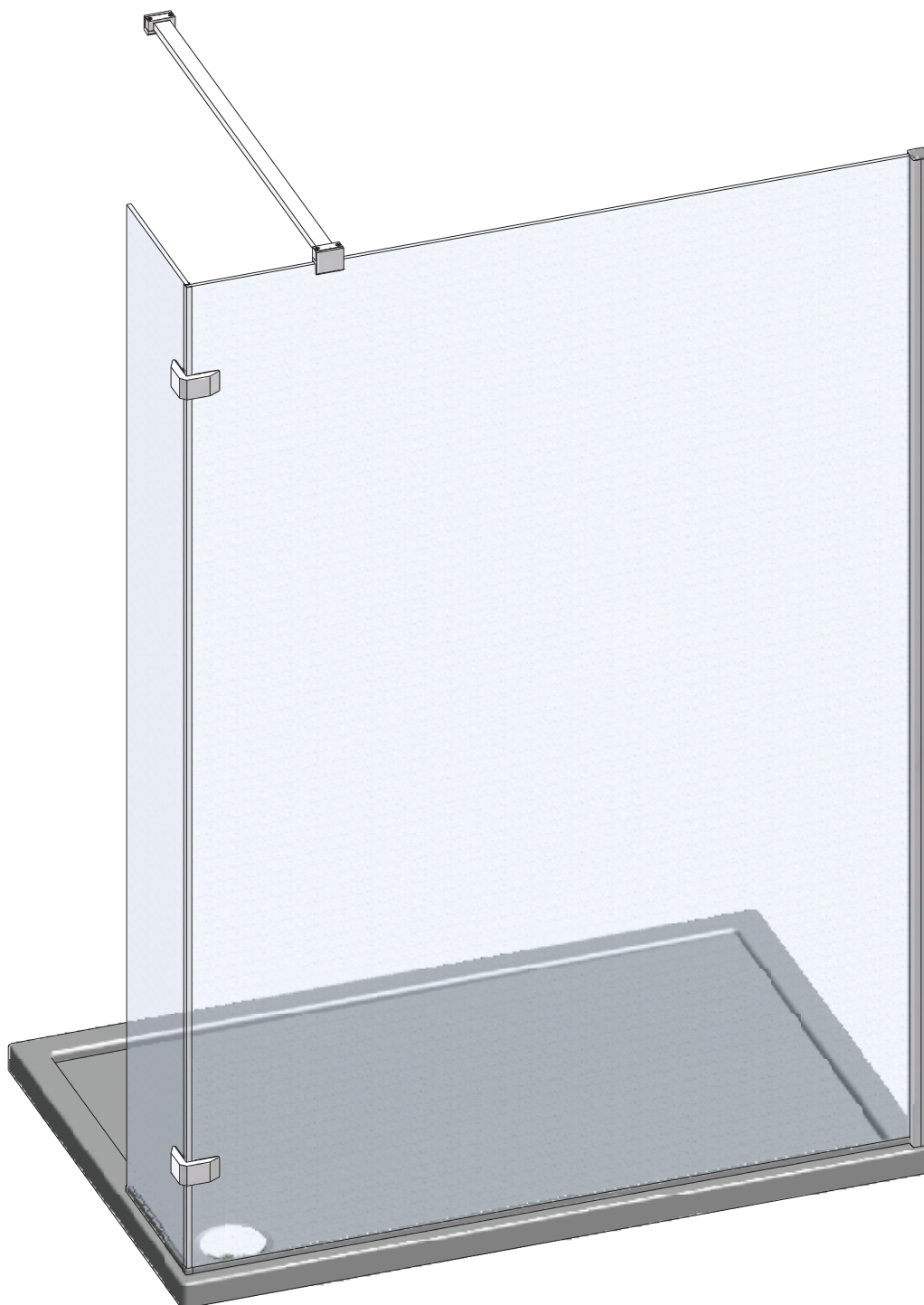
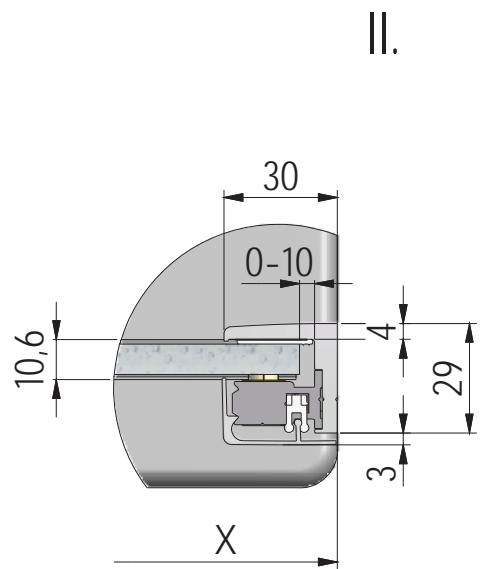
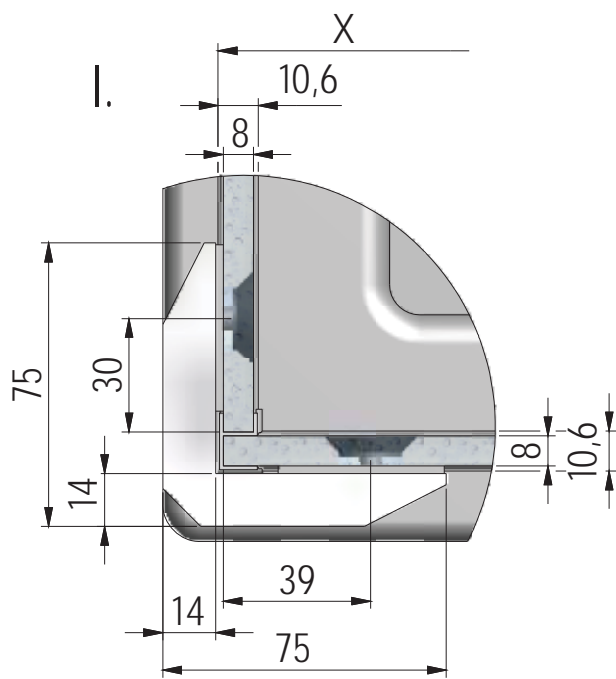
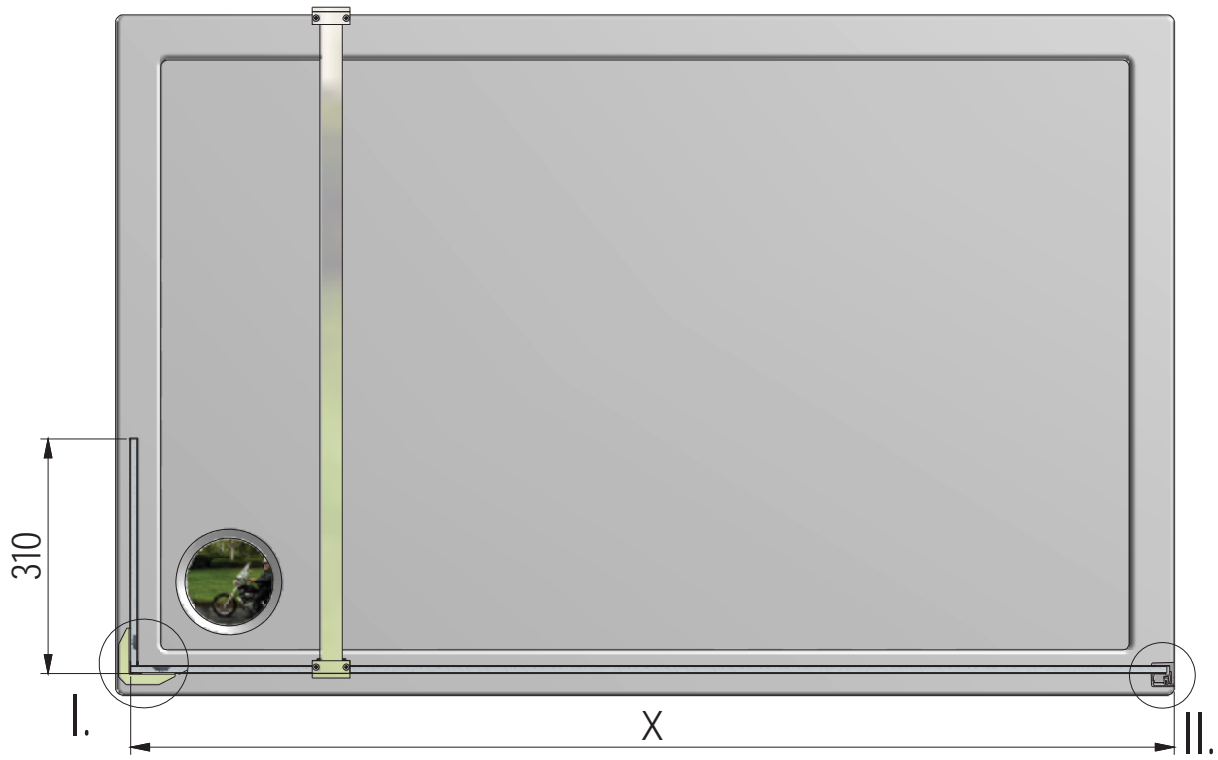


WALK C





WALK C		
	X MIN (mm)	X MAX (mm)
900	878	888
1000	978	988
1200	1178	1188
1400	1378	1388
1500	1478	1488

1. 1x



3. 1x



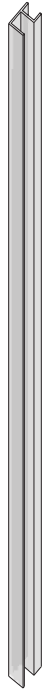
4. 1x



5. 1x
P2665



6. 2x
M9750



7. 4x
M0511



8. 4x
M0811



9. 4x
M5974



10. 4x
M5975



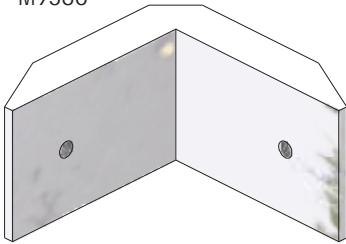
11. 4x
M8924



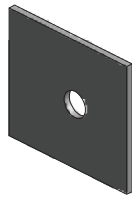
14. 2x
M9097



15. 2x
M9386



16. 4x
M9339



17. 4x
M9176



18. 4x
M9418



19. 4x
M9177



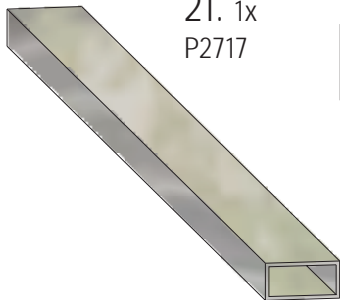
20. 4x
M8295



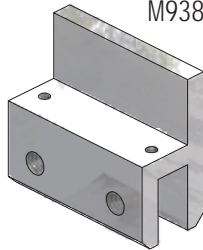
32. 2x
MA0618



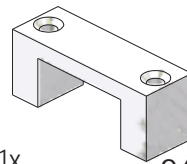
21. 1x
P2717



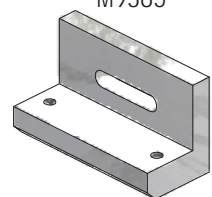
22. 1x
M9383



23. 2x
M9384



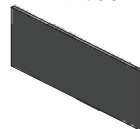
24. 1x
M9385



33. 2x
MA1343



25. 1x
M9468



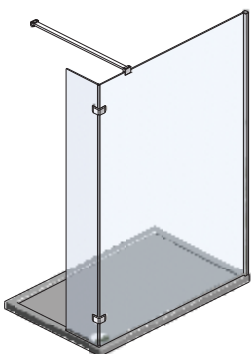
26. 4x
M9292



27. 2x
MA3667



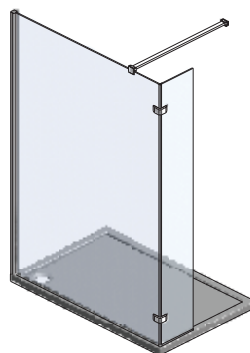
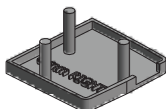
31. 2x
MA0171



13. 1x
M9099



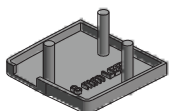
28. 1x
M8938



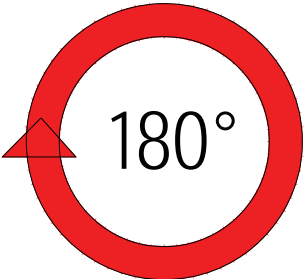
12. 1x
M9098



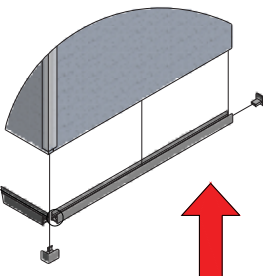
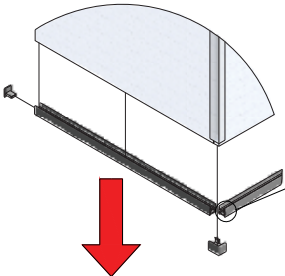
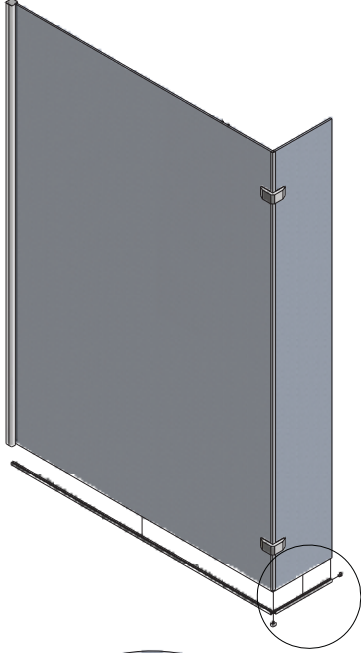
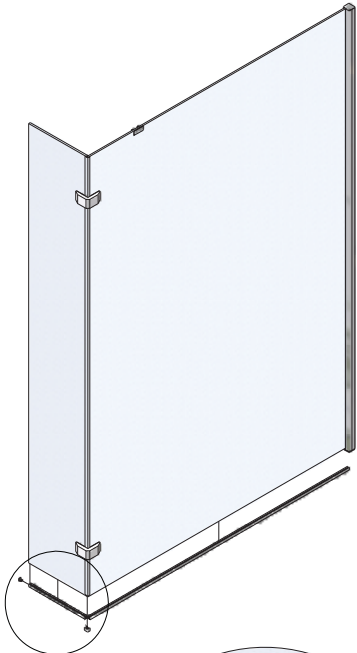
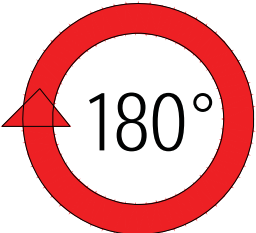
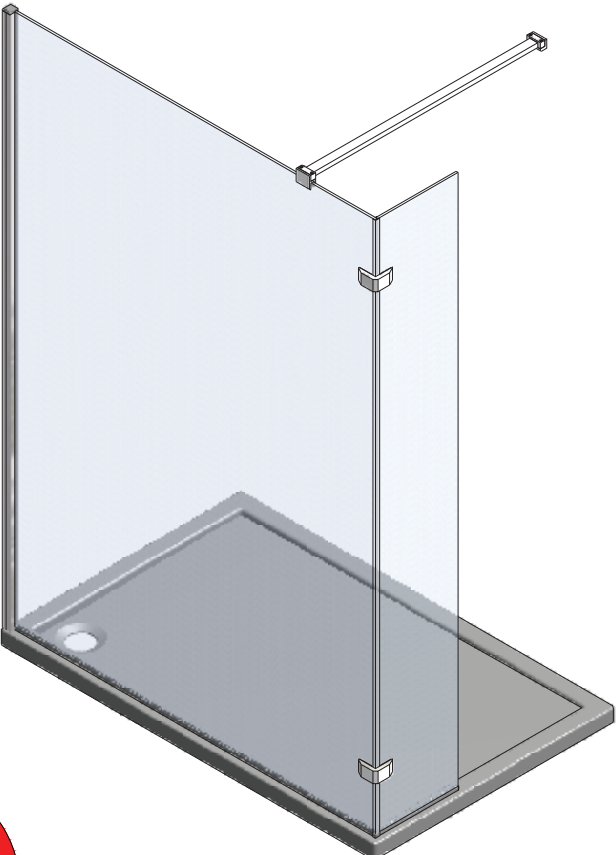
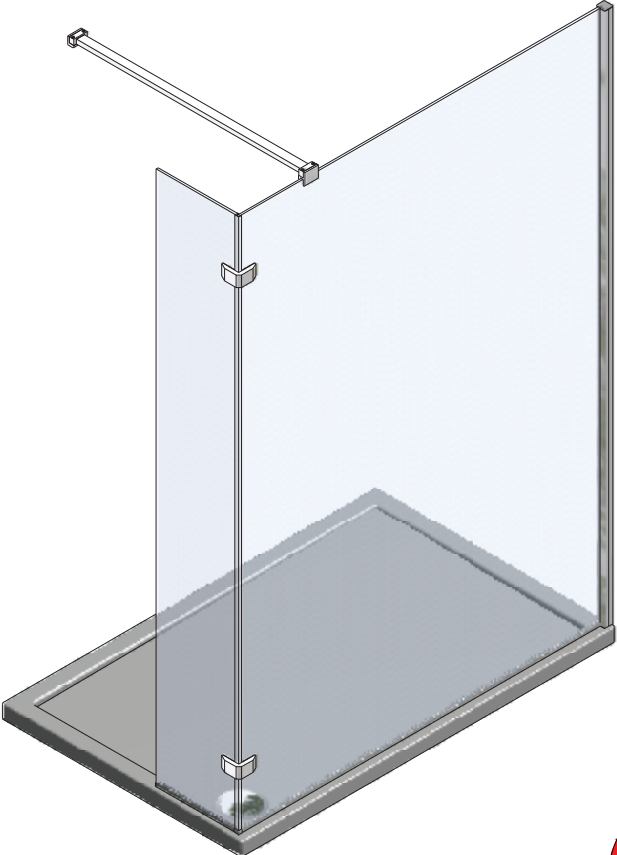
29. 1x
M8937

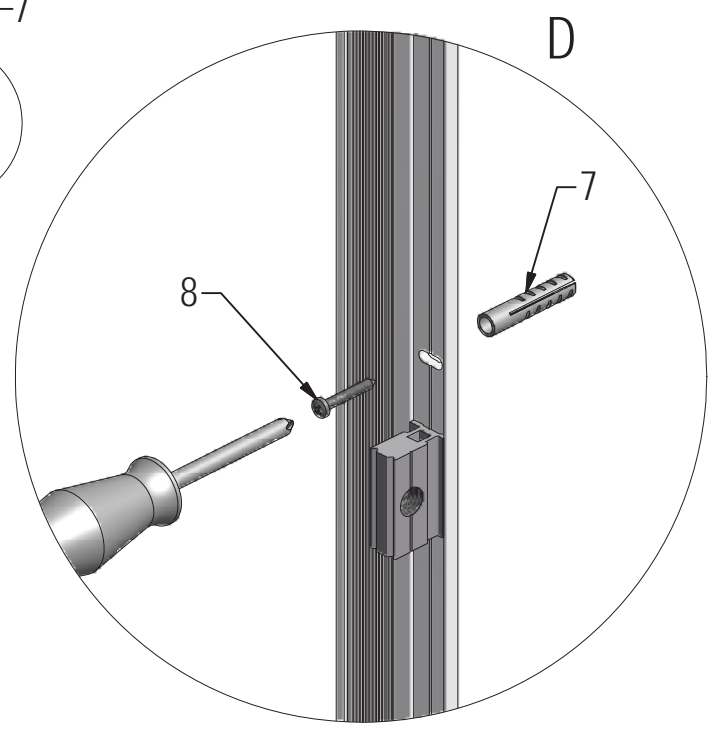
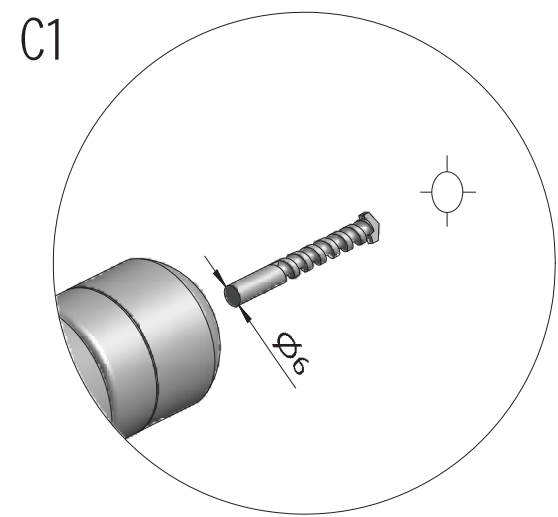
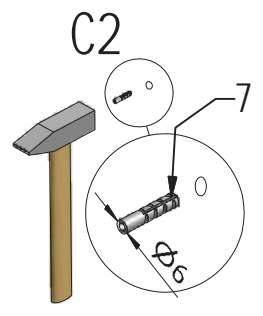
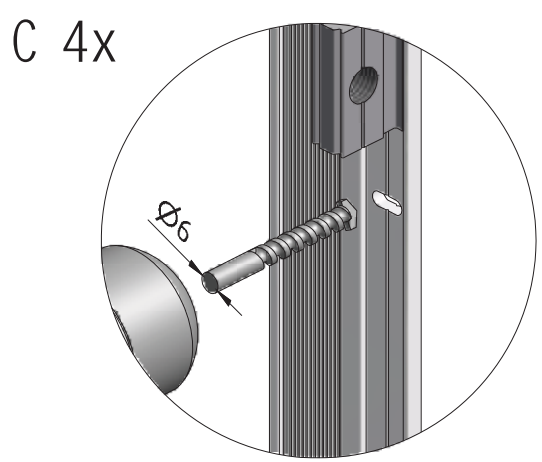
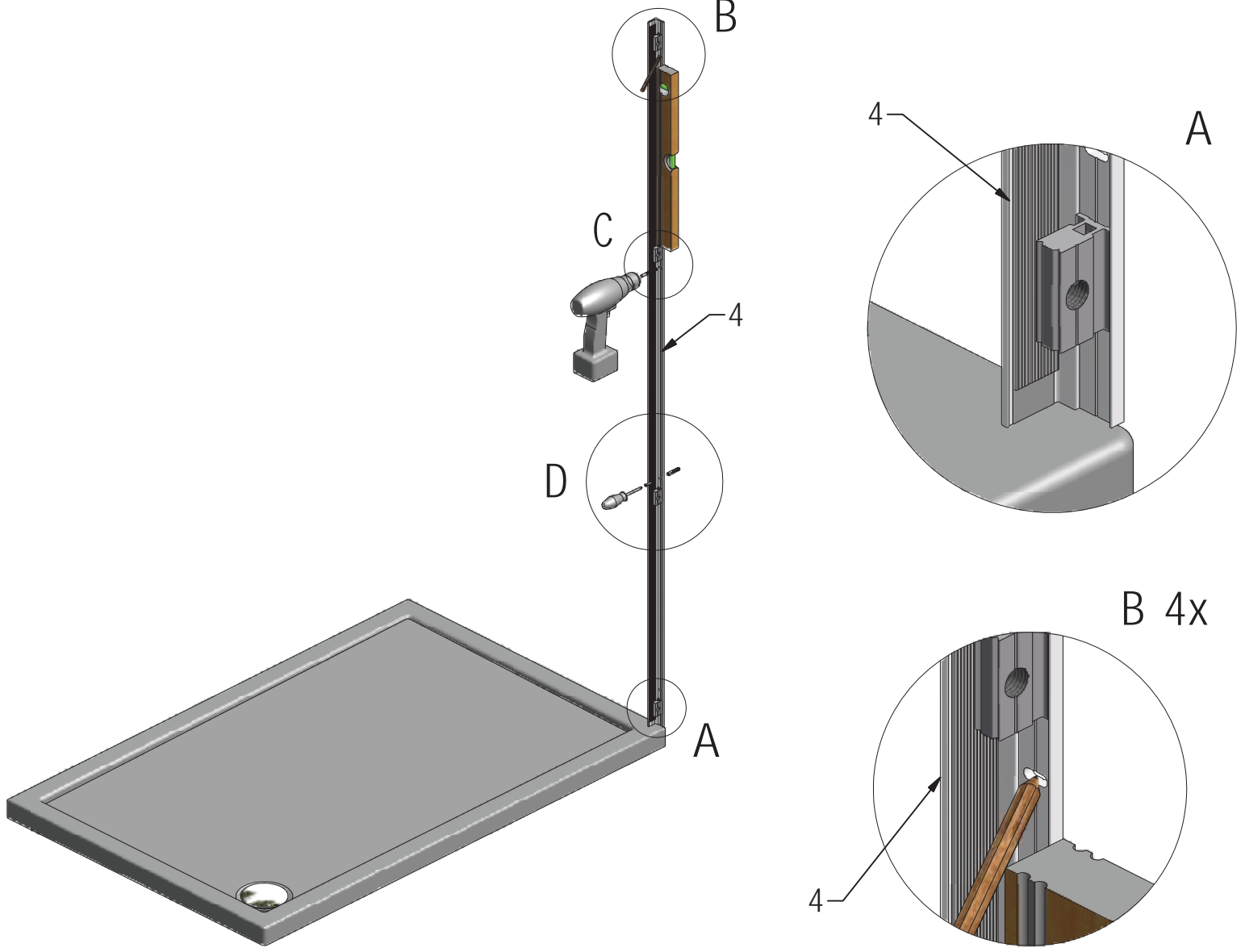


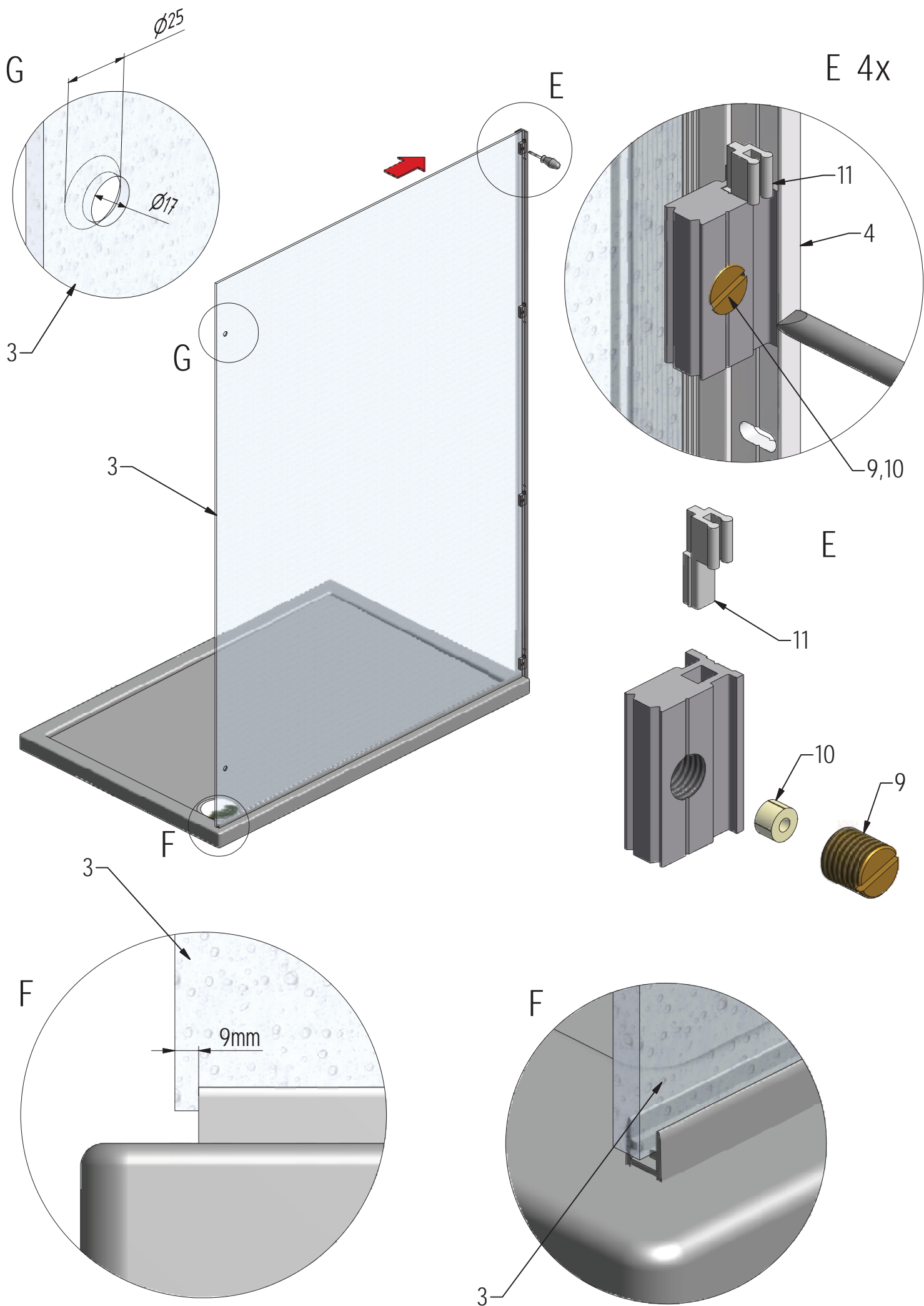
Left version

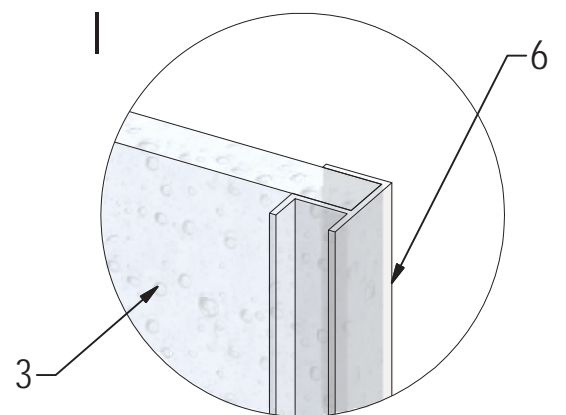
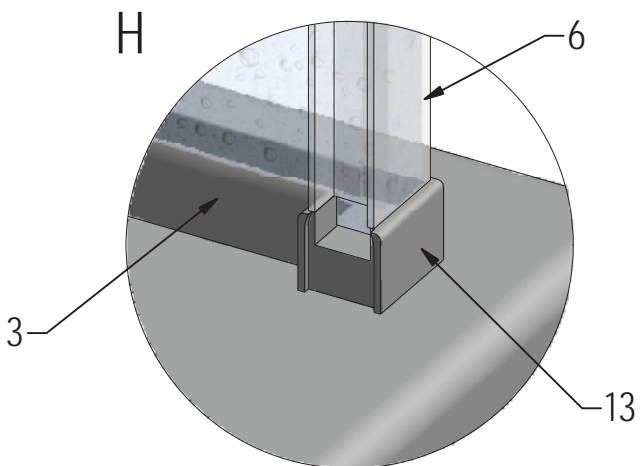
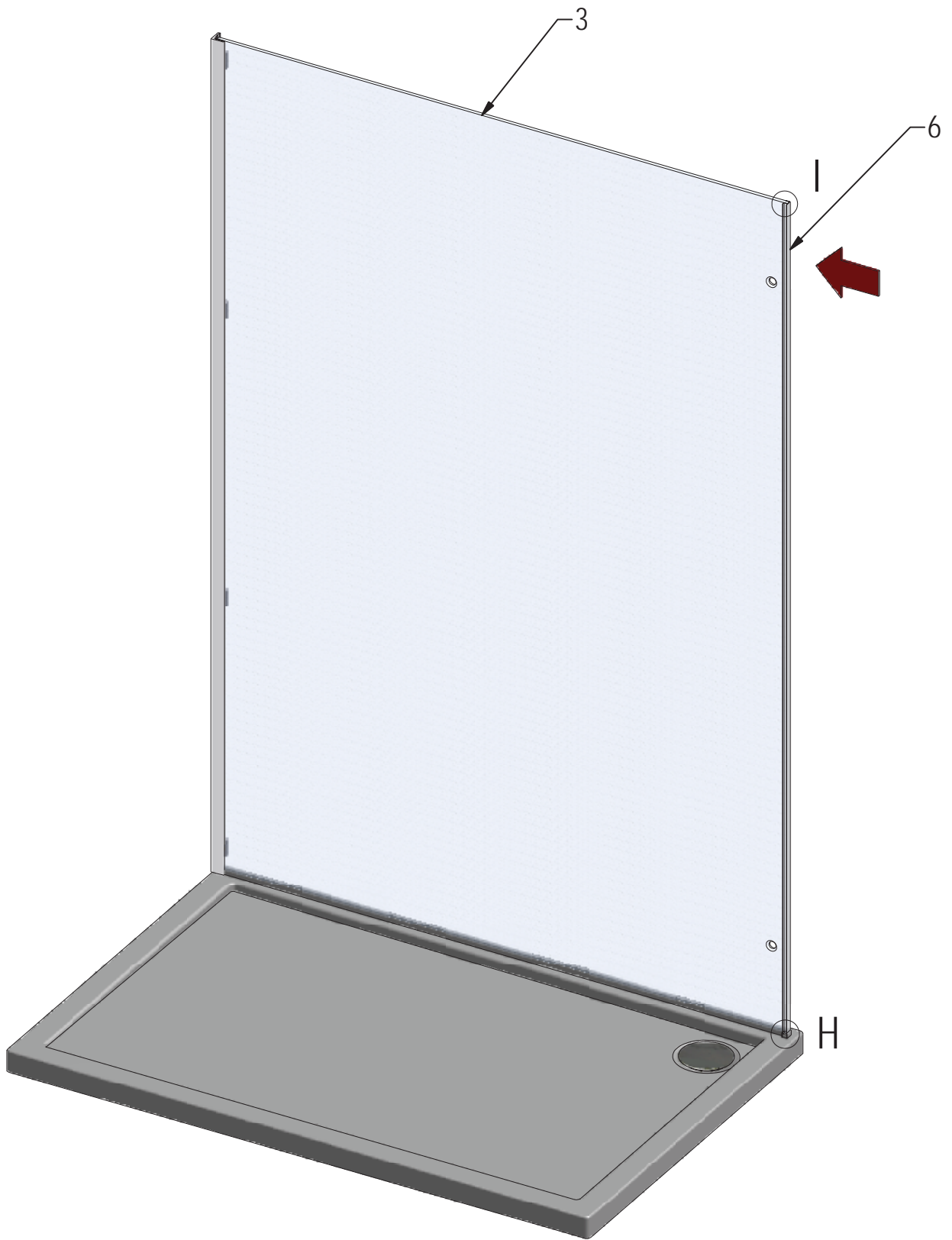


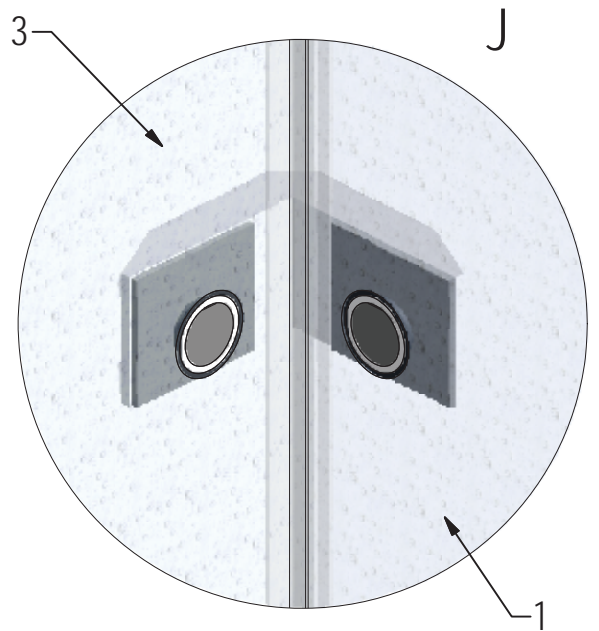
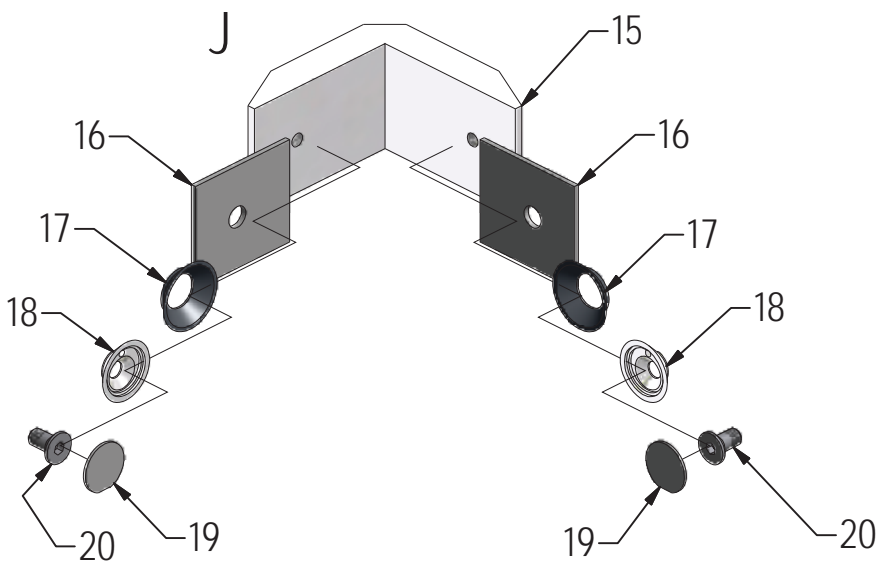
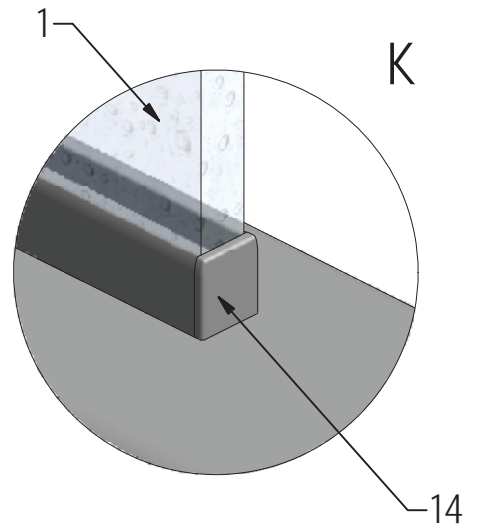
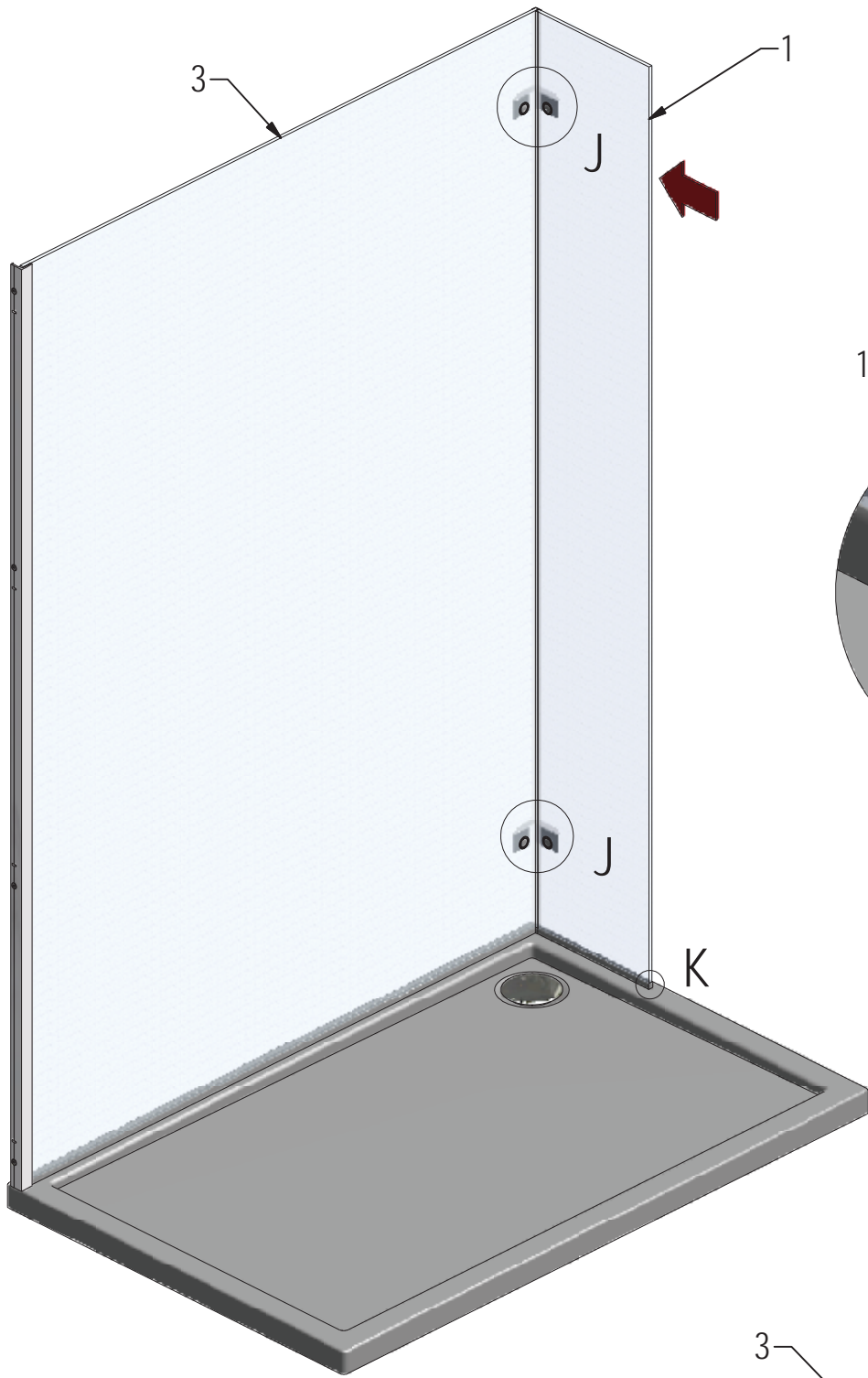
Right version

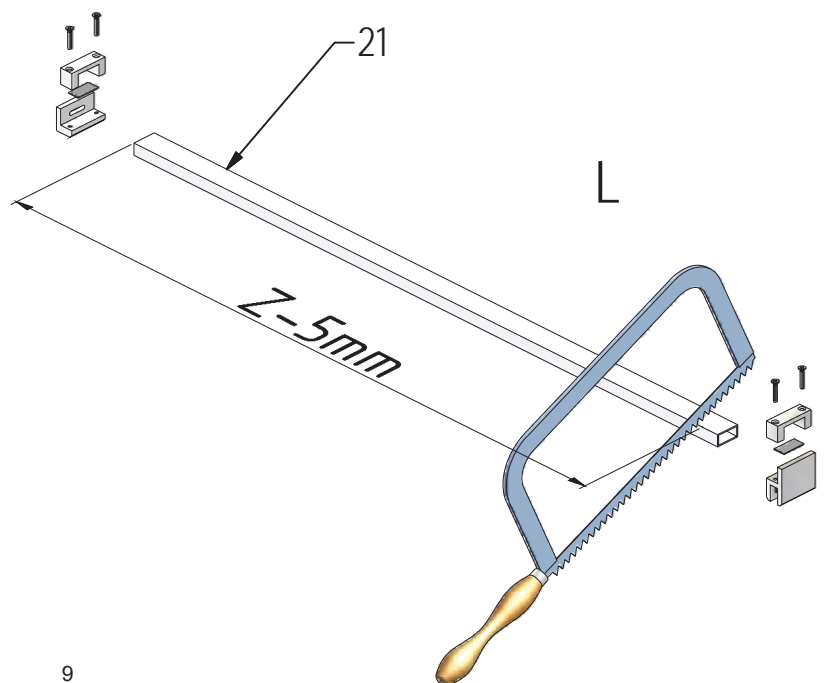
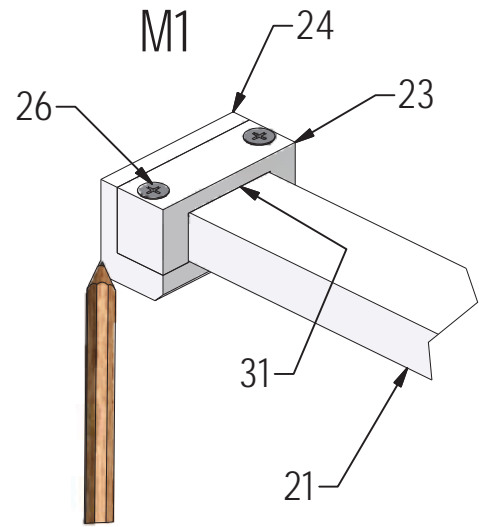
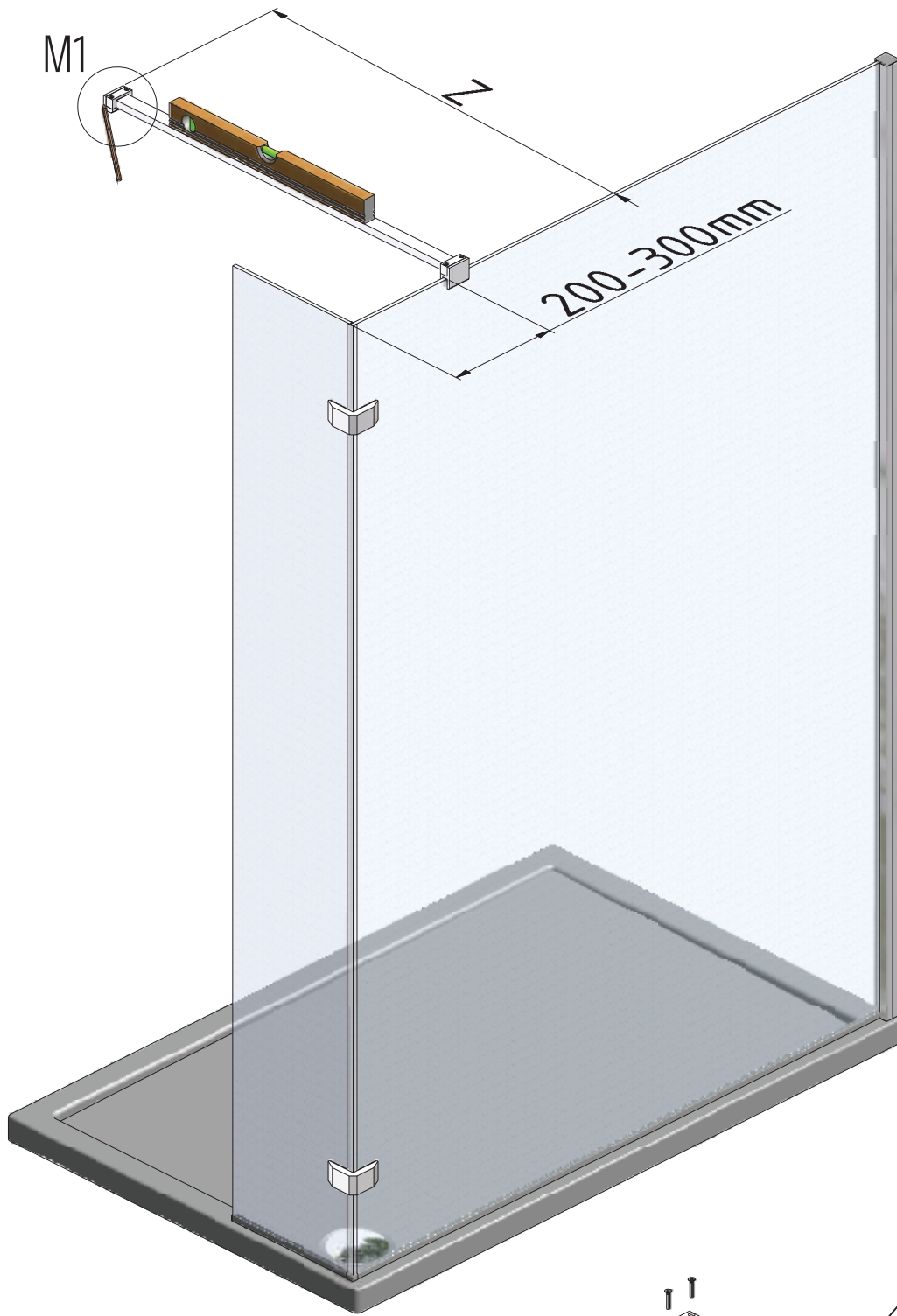




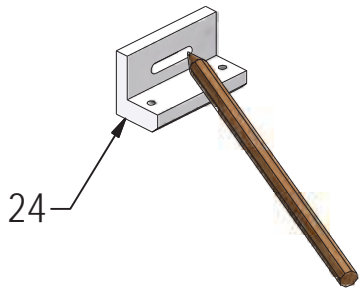




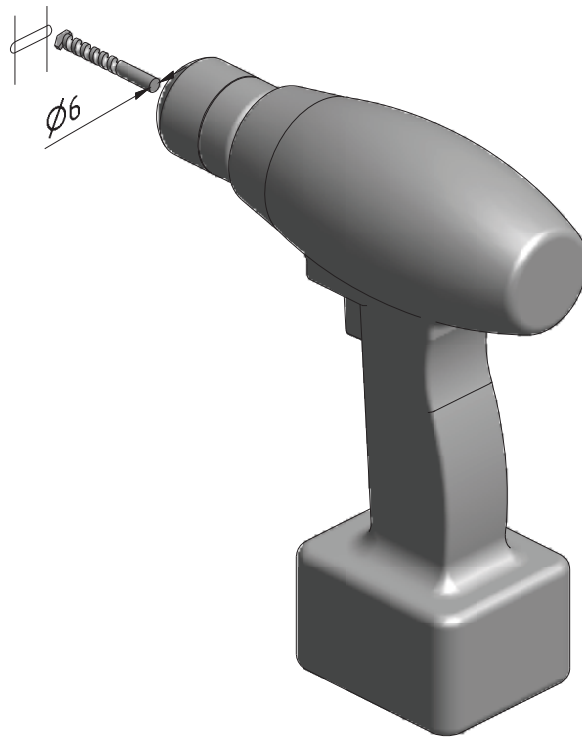




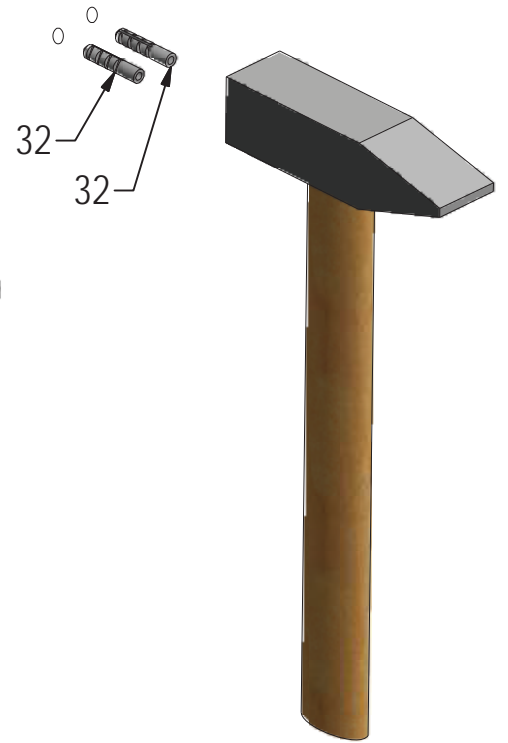
M2



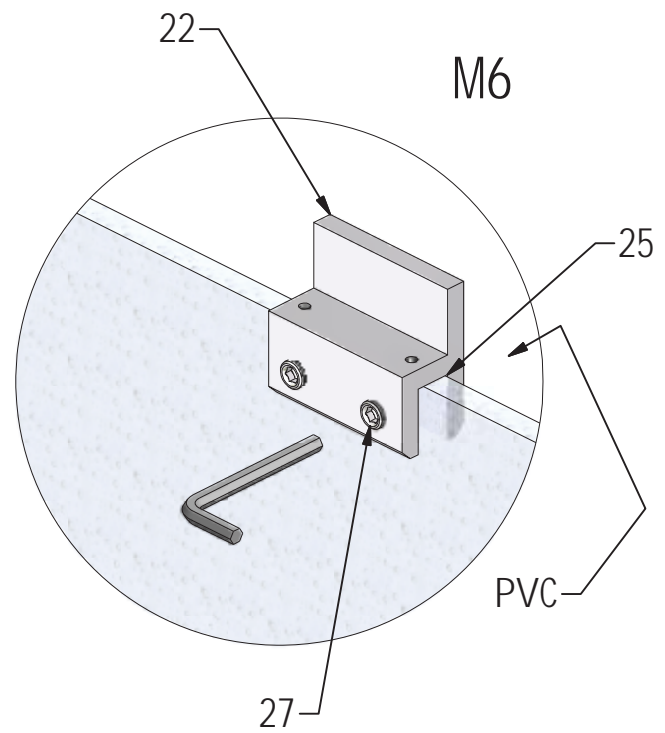
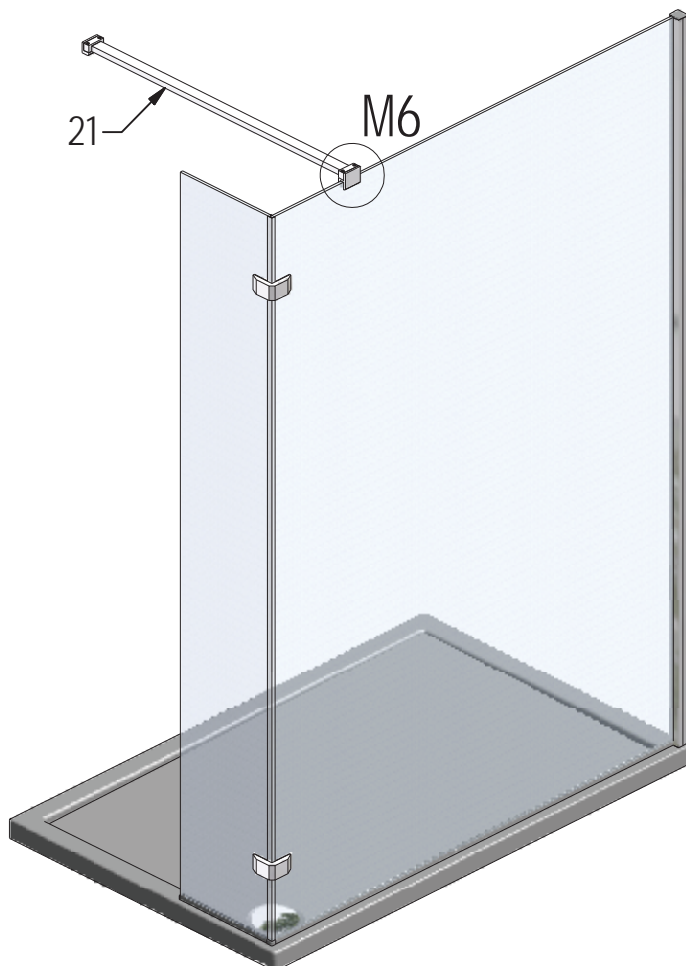
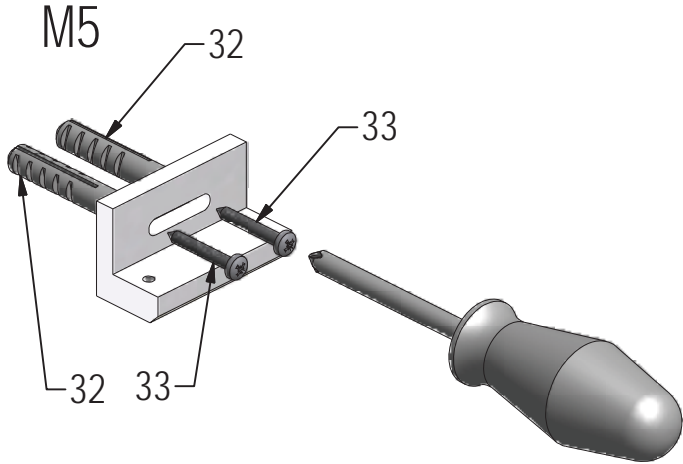
M3

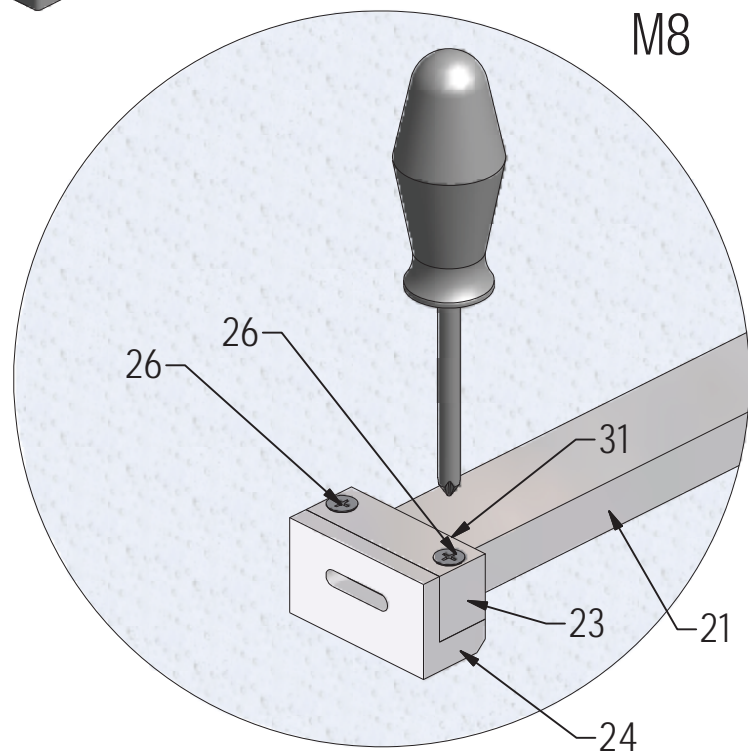
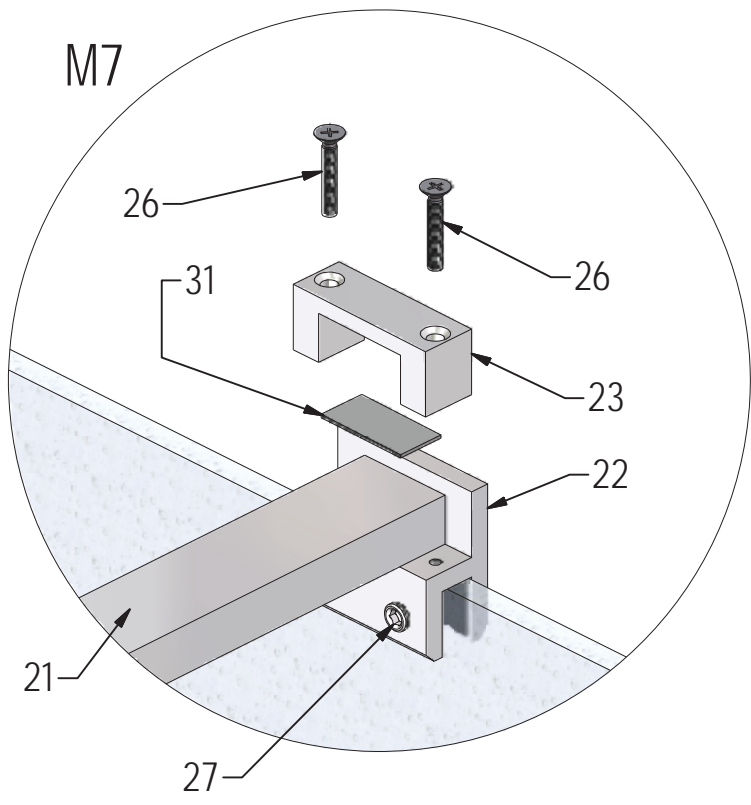
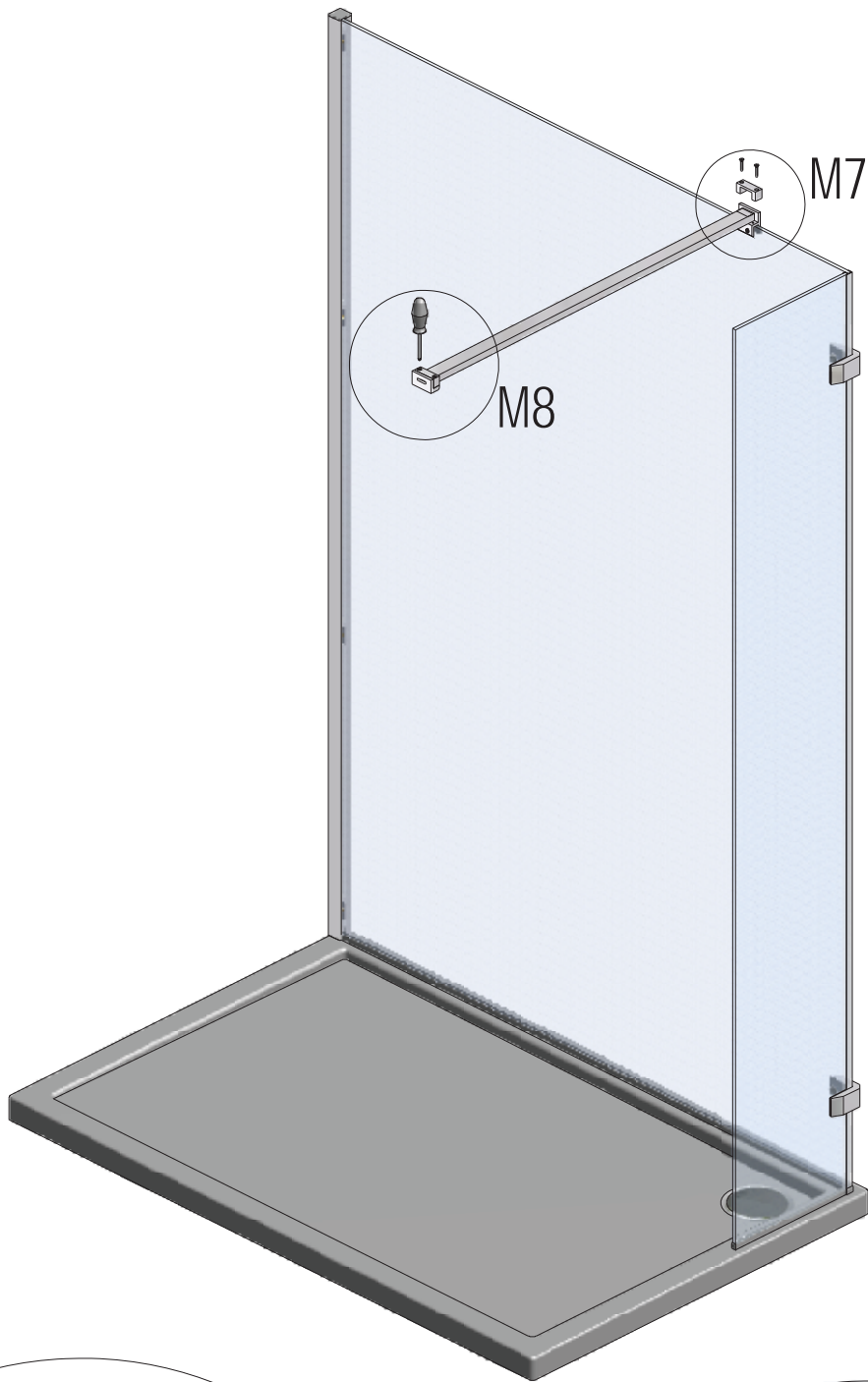


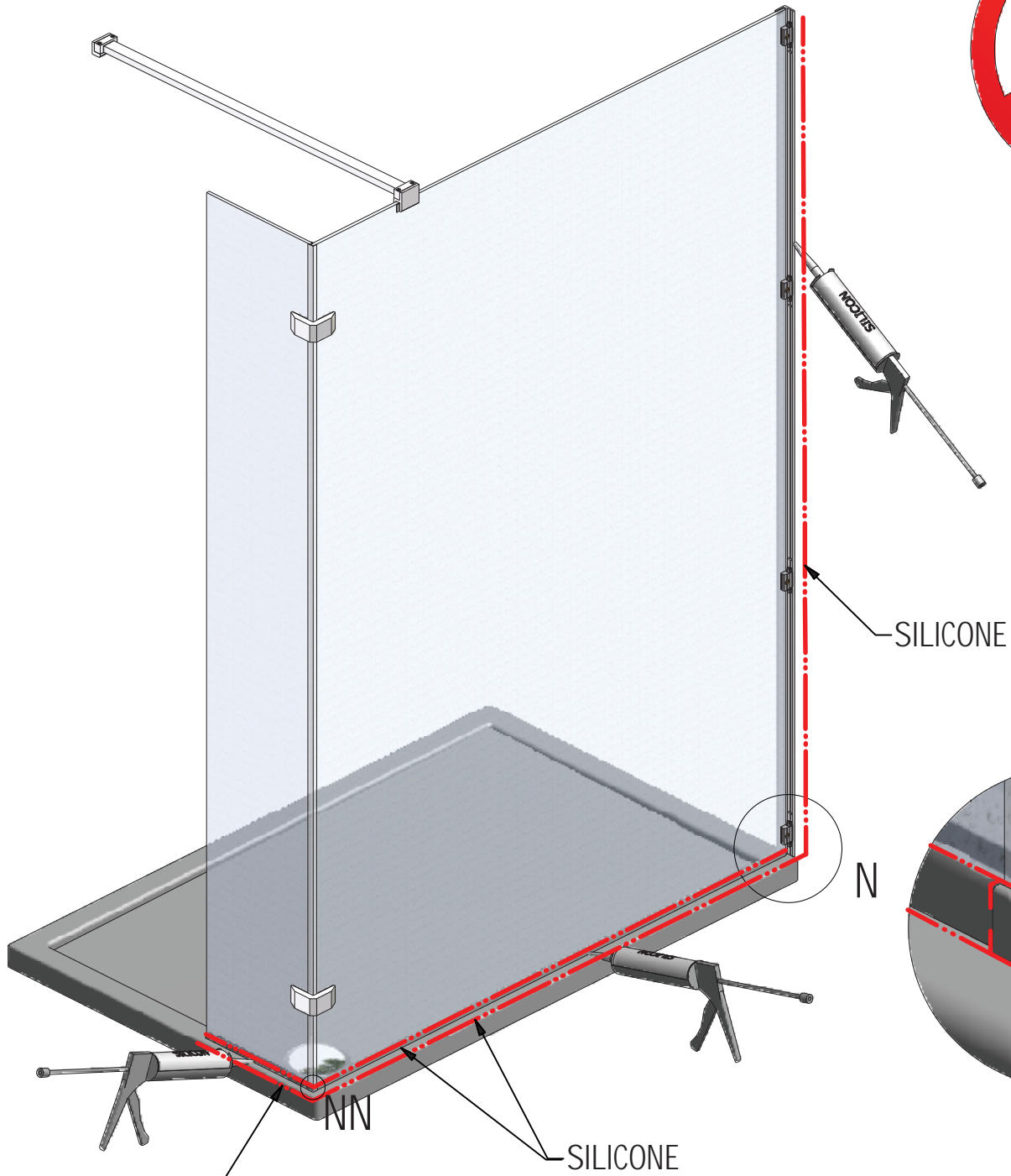
M4



M5







N

SILICONE

NN

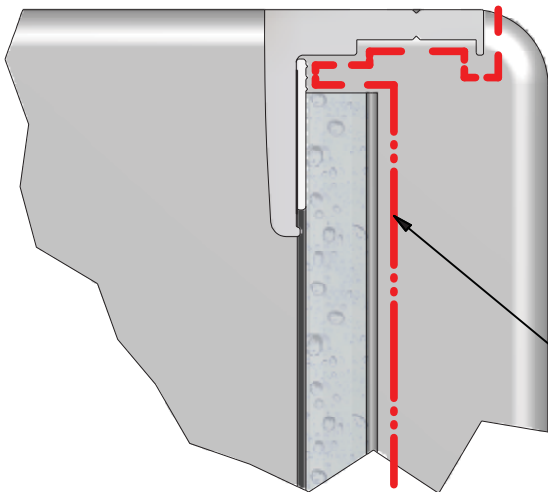
SILICONE

N

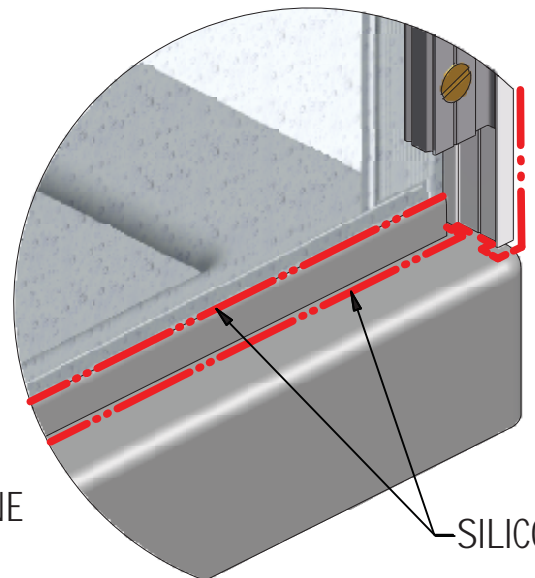
NN

SILICONE

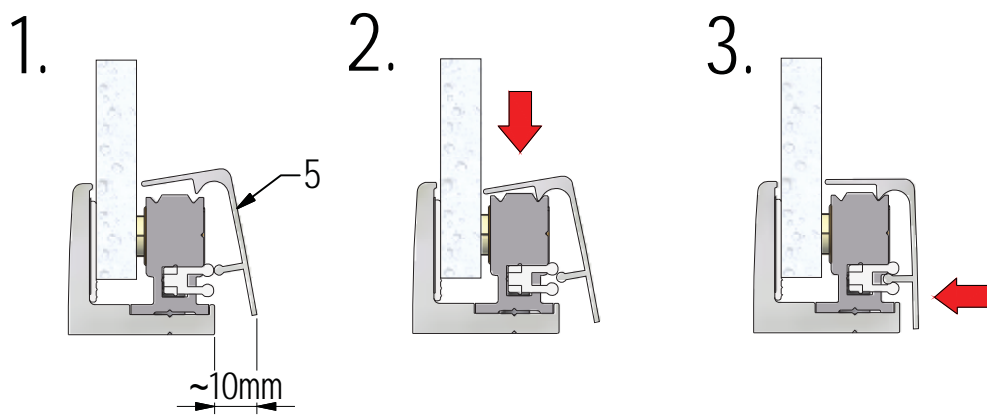
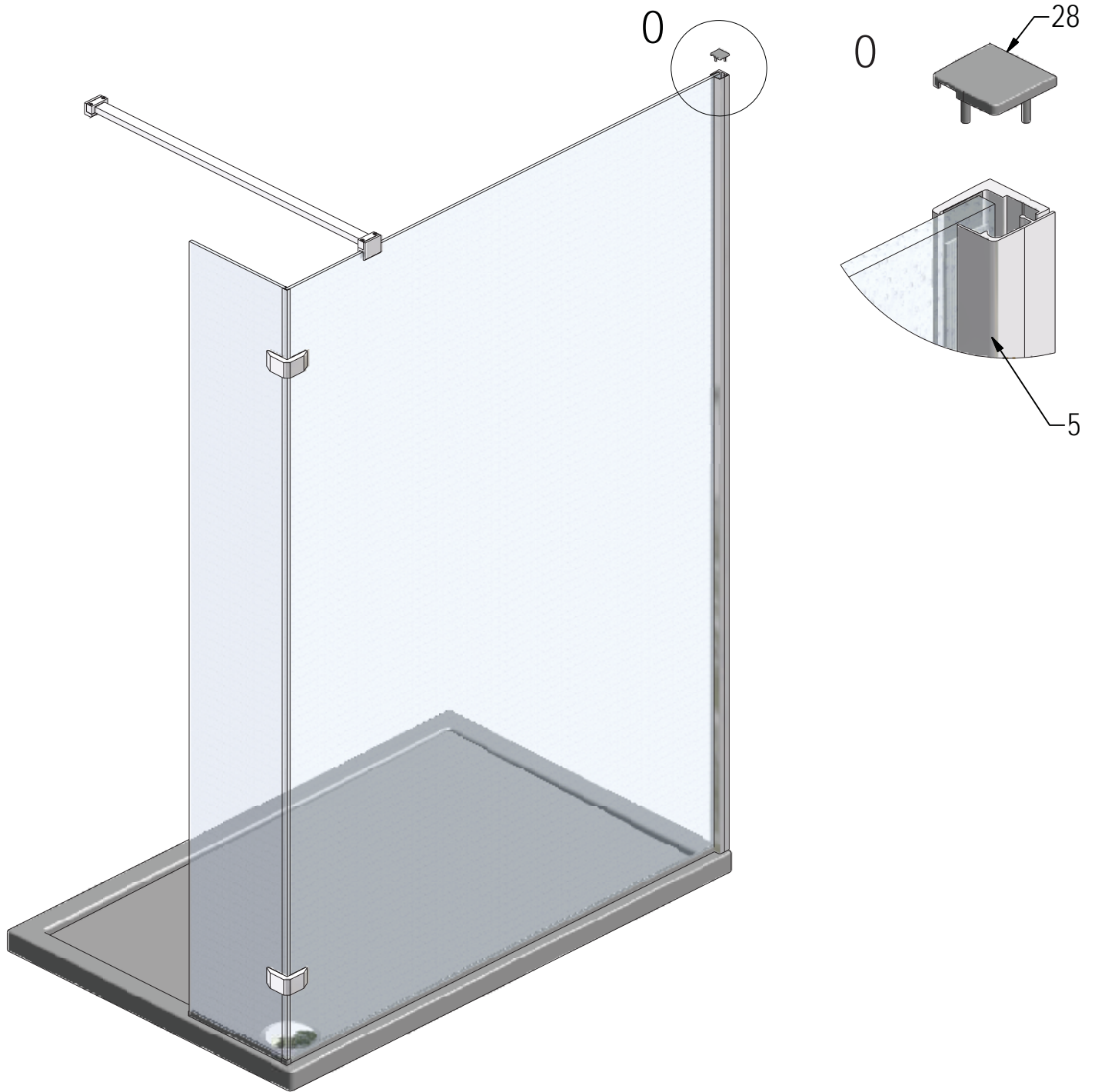
N

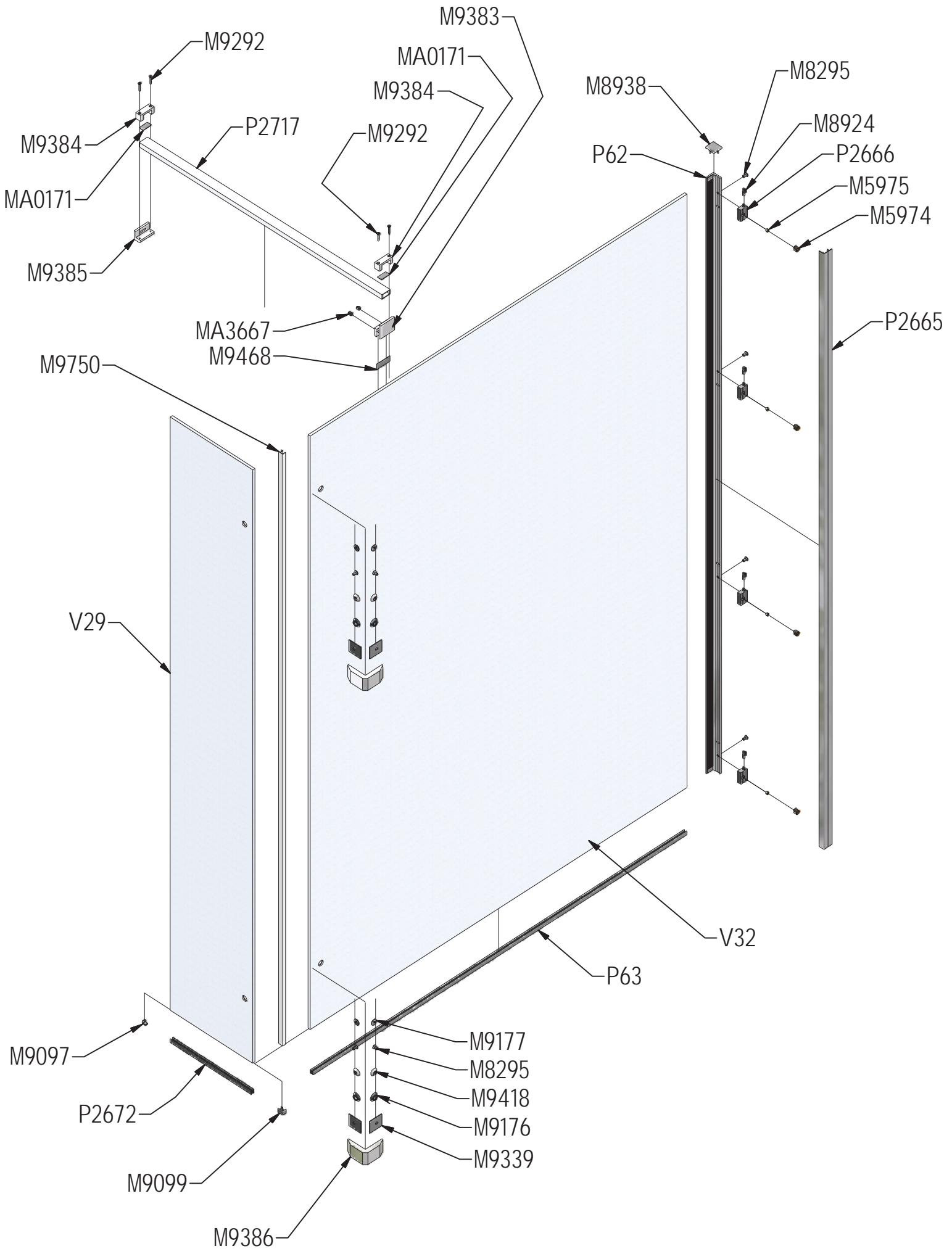


SILICONE



SILICONE





P62			ND01-2361-00
P63	900		P2982
	1000		P2729
	1200		P2730
	1400		P2731
	1500		P2732

V29		clear glass	ND03-0362-00-02
V32	900	clear glass	ND03-0473-00-02
	1000	clear glass	ND03-0370-00-02
	1200	clear glass	ND03-0371-00-02
	1400	clear glass	ND03-0372-00-02
	1500	clear glass	ND03-0373-00-02

